

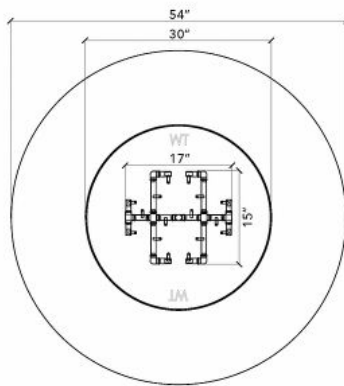
**FC42NG | FC42LP**

Dimensions: 42" W x 18" H Aluminum Frame with Concrete Board Attached

Includes:

- CFB120 Original Brass Burner
- 24" Aluminum Pan with 2" Sidewalls
- Fire Pit Vent Kit
- 3/4" Flex Line Kit
- Key Valve Extension

Ignition systems options available: Push Button, 3 Volt, 24 Volt Spark Ignition, 24 Volt Hot Surface Ignition (SC)



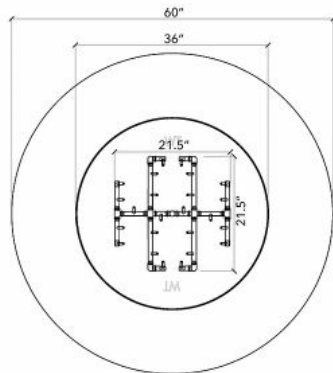
**FC54NG | FC54LP**

Dimensions: 54" W x 18" H Aluminum Frame with Concrete Board Attached

Includes:

- CFB180 Original Brass Burner
- 30" Aluminum Pan with 2" Sidewalls
- Fire Pit Vent Kit
- 3/4" Flex Line Kit
- Key Valve Extension

Ignition systems options available: Push Button, 24 Volt Spark Ignition, 24 Volt Hot Surface Ignition (SC)



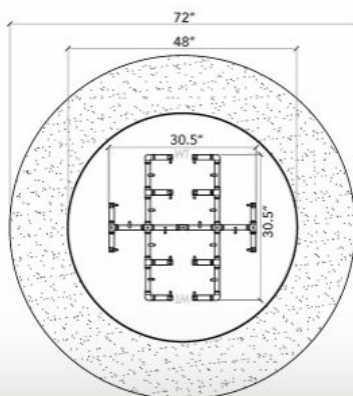
**FC60NG | FC60LP**

Dimensions: 60" W x 18" H Aluminum Frame with Concrete Board Attached

Includes:

- CFB290 Original Brass Burner
- 36" Aluminum Pan with 2" Sidewalls
- Fire Pit Vent Kit
- 3/4" Dual Flex Line Kit
- Key Valve Extension

Ignition systems options available: Push Button, 24 Volt Spark Ignition, 24 Volt Hot Surface Ignition (SC)



**FC72NG | FC72LP**

Dimensions: 72" W x 18" H Aluminum Frame with Concrete Board Attached

Includes:

- CFB350 Original Brass Burner
- 48" Aluminum Pan with 2" Sidewalls
- Fire Pit Vent Kit
- 3/4" Dual Flex Line Kit
- Key Valve Extension

Ignition systems options available: Push Button, 24 Volt Spark Ignition, 24 Volt Hot Surface Ignition (SC)