

FO42NG FO42LP (CFB120-V2, 120K BTU)

PRODUCT DESCRIPTION:

The CFB120-V2 is established with a specific air-to-gas mixture ratio which produces a taller, brighter flame while using half the fuel of conventional fire rings.

CFB120-V2:

MAX OUTPUT: 120,000 BTU

DIMENSIONS: 13"L x 13"W x 3 1/4" H

Made from all brass, the CFB120-V2 is non-corrosive and comes with a FULL LIFETIME WARRANTY.

Notes:

1. For outdoor/ exterior use only.
2. Modification of product will void any certification and warranty. Please see Warming Trends Warranty.
3. Follow all installation instructions and local codes.
4. Recommended to be installed by a certified plumbing professional.

CERTIFIED UNITS

Compliance with the following Codes:

1. 2015, 2012 and 2009 International Fire Code (IFC)
2. 2015, 2012 and 2009 International Fuel Gas Code (IFGC)
3. 2012 and 2009 Uniform Mechanical Code (UMC)*
4. 2010 Natural Gas and Propane Installation Code**

Compliance with the following standards:

1. ANSI Z 21.97/CSA 2.41-2014 Outdoor Decorative Gas Appliances

PLAN VIEW



www.warming-trends.com

CONFIDENTIAL:

Any information data and drawings embodied in this document are proprietary and strictly confidential, are to be held as confidential and supplied with the understanding that they will not be disclosed, in whole or in part or in any form, to third parties without the prior written consent of Warming Trends, Inc. All information, illustrations, screen shots, and data contained are herein Copyright © Warming Trends Inc. all rights reserved.

Date: AUG 2017

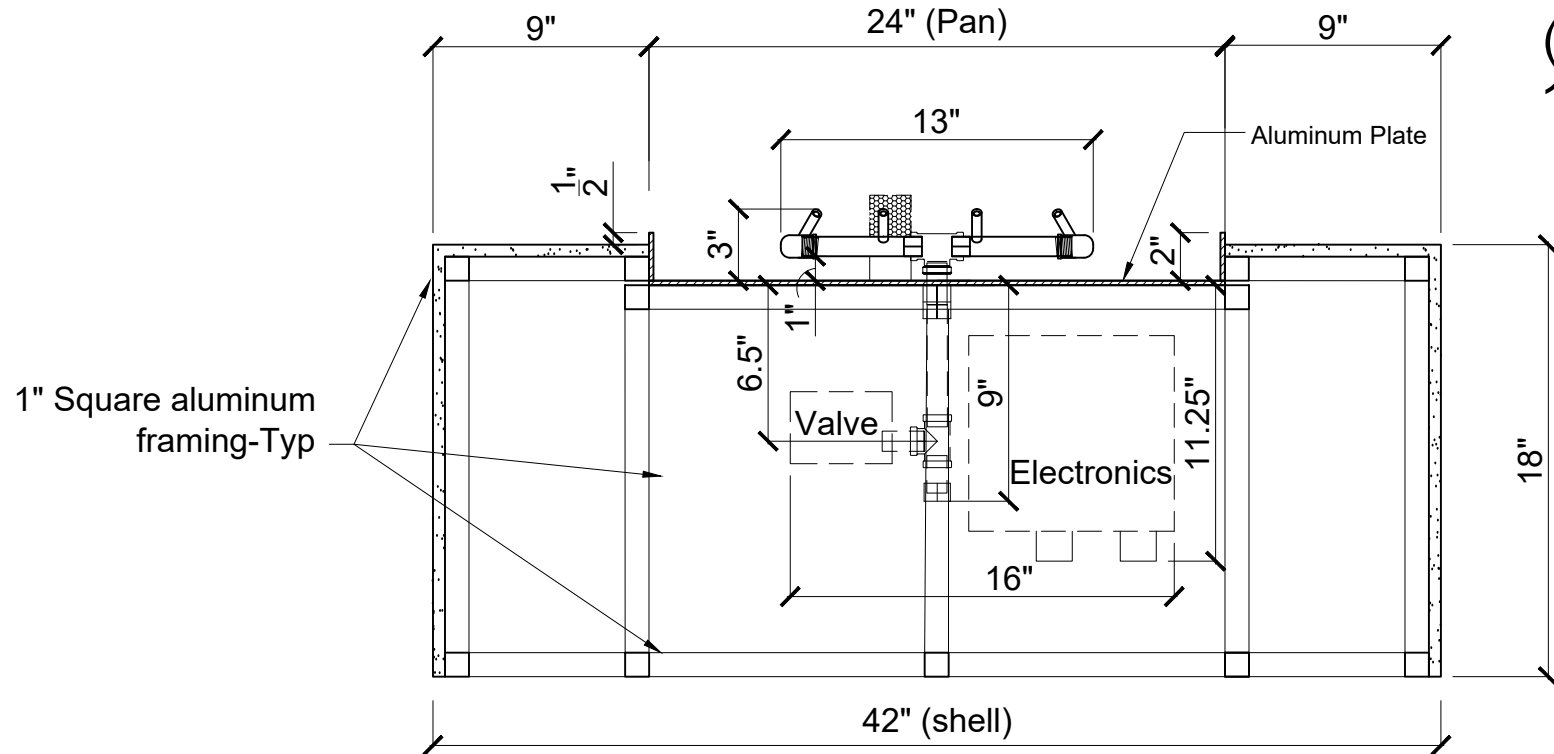
Customer:

Scale: 1 1/2" = 1'-0"

Tolerance: 0.125"

Dwg: S:_AutoCad Drawings\2017-STANDARD CFB Final Drawings\RTF KITS\Octagon\FO42\FO42_120K v2

FO42NG
FO42LP
(CFB120-V2,
120K BTU)



SECTION VIEW

PRODUCT DESCRIPTION:

The CFB120-V2 is established with a specific air-to-gas mixture ratio which produces a taller, brighter flame while using half the fuel of conventional fire rings.

CFB120-V2:

MAX OUTPUT: 120,000 BTU

DIMENSIONS: 13"L x 13"W x 3 1/4"H

Made from all brass, the Crossfire Brass Burner is non-corrosive and comes with a FULL LIFETIME WARRANTY.

NOTES:

1. For outdoor/ exterior use only.
2. Modification of product will void any certification and warranty. Please see Warming Trends Warranty.
3. Follow all installation instructions and local codes.
4. Recommended to be installed by a certified plumbing professional.

WarmingTrends

CROSSFIRE
BRASS BURNERS

www.warming-trends.com

CONFIDENTIAL:

Any information data and drawings embodied in this document are proprietary and strictly confidential, are to be held as confidential and supplied with the understanding that they will not be disclosed, in whole or in part or in any form, to third parties without the prior written consent of Warming Trends, Inc. All information, illustrations, screen shots, and data contained are herein Copyright © Warming Trends Inc. all rights reserved.

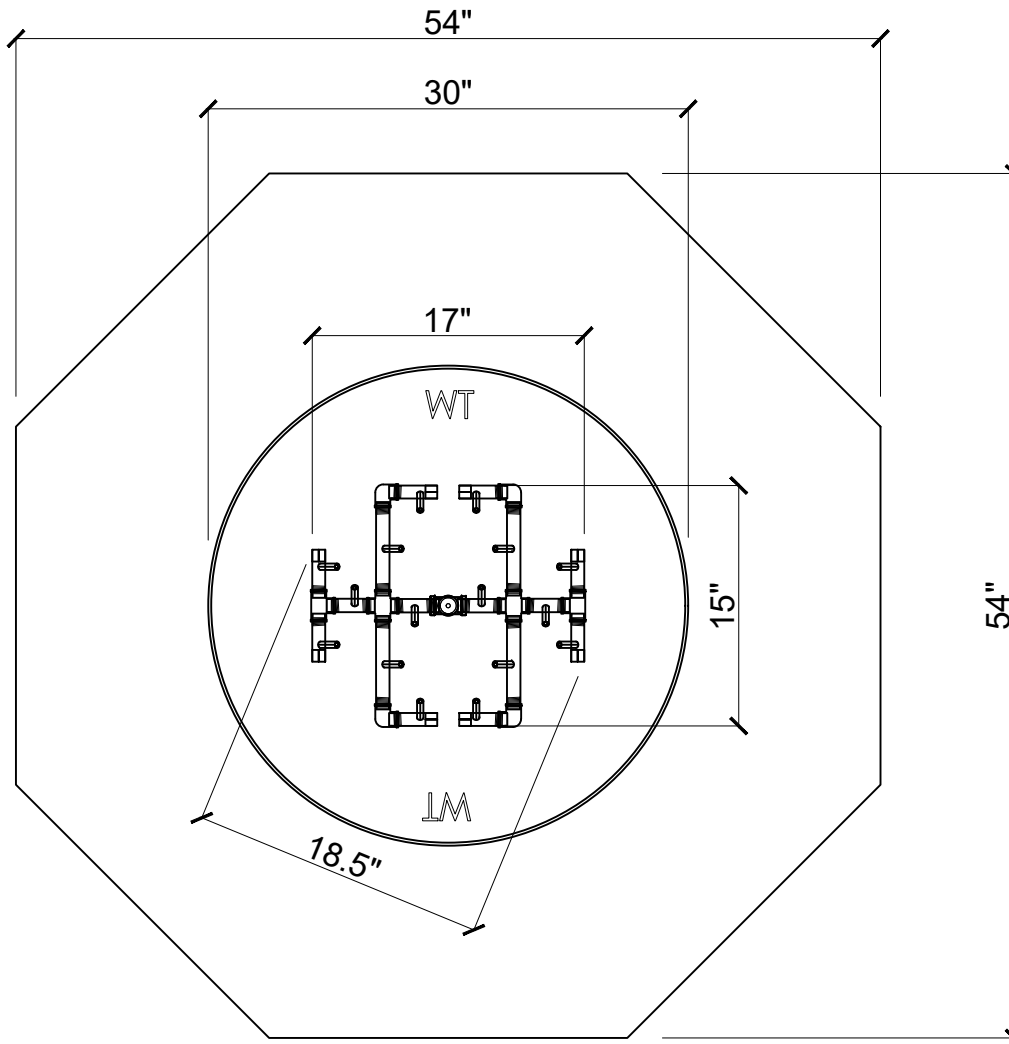
Date: MAY 2017

Customer:

Scale: 1 1/2" = 1'-0"

Tolerance: 0.125"

Dwg: S:_AutoCad Drawings\2017-STANDARD CFB Final Drawings\RTF KITS\Octagon\FO42_120K v2



PLAN VIEW

FO54NG FO54LP (CFB180K BTU)

PRODUCT DESCRIPTION:

The CFB180 is established with a specific air-to-gas mixture ratio which produces a taller, brighter flame while using half the fuel of conventional fire rings.

CFB180:

MAX OUTPUT: 180,000 BTU

DIMENSIONS: 17"L x 15"W x 3 1/4" H

Made from all brass, the CFB180 is non-corrosive and comes with a FULL LIFETIME WARRANTY.

Notes:

1. For outdoor/ exterior use only.
2. Modification of product will void any certification and warranty. Please see Warming Trends Warranty.
3. Follow all installation instructions and local codes.
4. Recommended to be installed by a certified plumbing professional.

CERTIFIED UNITS

Compliance with the following Codes:

1. 2015, 2012 and 2009 International Fire Code (IFC)
2. 2015, 2012 and 2009 International Fuel Gas Code (IFGC)
3. 2012 and 2009 Uniform Mechanical Code (UMC)*
4. 2010 Natural Gas and Propane Installation Code**

Compliance with the following standards:

1. ANSI Z 21.97/CSA 2.41-2014 Outdoor Decorative Gas Appliances



CONFIDENTIAL:

Any information data and drawings embodied in this document are proprietary and strictly confidential, are to be held as confidential and supplied with the understanding that they will not be disclosed, in whole or in part or in any form, to third parties without the prior written consent of Warming Trends, Inc. All information, illustrations, screen shots, and data contained are herein Copyright © Warming Trends Inc. all rights reserved.

Date: AUG 2017

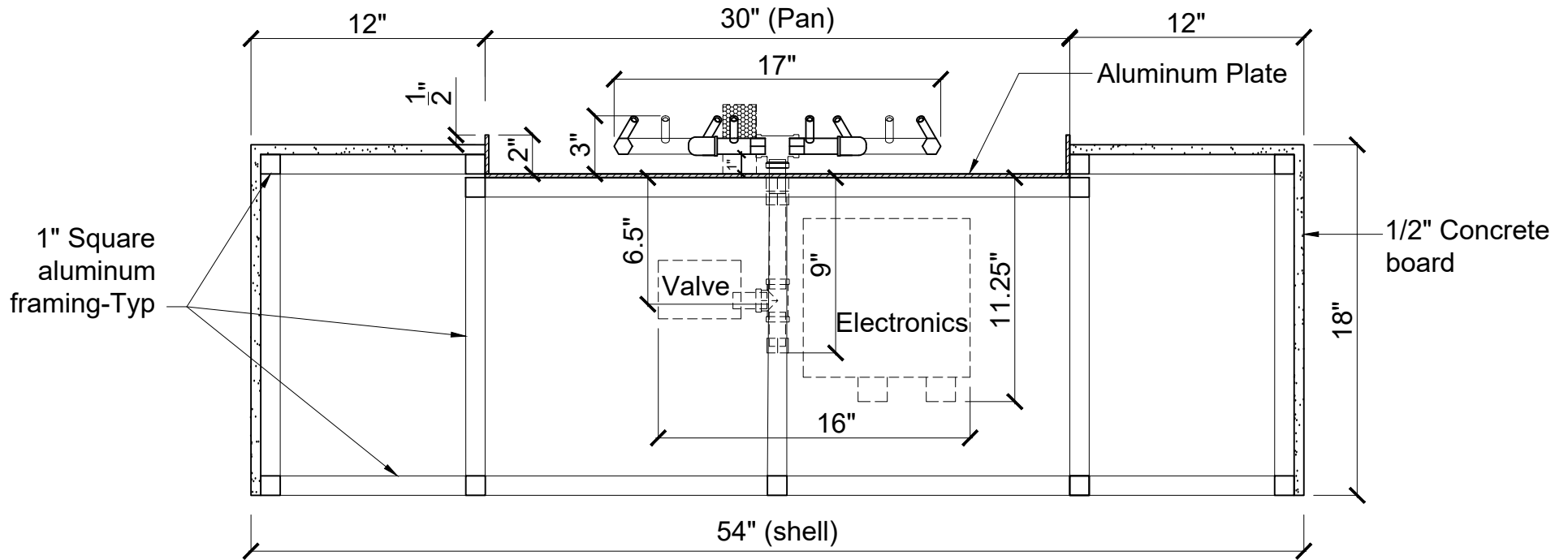
Customer:

Scale: 1"= 1'-0"

Tolerance: 0.125"

Dwg: S:_AutoCad Drawings\2017-STANDARD CFB Final Drawings\RTF KITS\Octagon\FO54\FO54_180K

FO54NG
FO54LP
(CFB180K BTU)



SECTION VIEW

PRODUCT DESCRIPTION:

The CFB180 is established with a specific air-to-gas mixture ratio which produces a taller, brighter flame while using half the fuel of conventional fire rings.

CFB180:

MAX OUTPUT: 180,000 BTU DIMENSIONS: 17"L x 15"W x 3 1/4"H

Made from all brass, the Crossfire Brass Burner is non-corrosive and comes with a FULL LIFETIME WARRANTY.

NOTES:

1. For outdoor/ exterior use only.
2. Modification of product will void any certification and warranty. Please see Warming Trends Warranty.
3. Follow all installation instructions and local codes.
4. Recommended to be installed by a certified plumbing professional.



CONFIDENTIAL:

Any information data and drawings embodied in this document are proprietary and strictly confidential, are to be held as confidential and supplied with the understanding that they will not be disclosed, in whole or in part or in any form, to third parties without the prior written consent of Warming Trends, Inc. All information, illustrations, screen shots, and data contained are herein Copyright © Warming Trends Inc. all rights reserved.

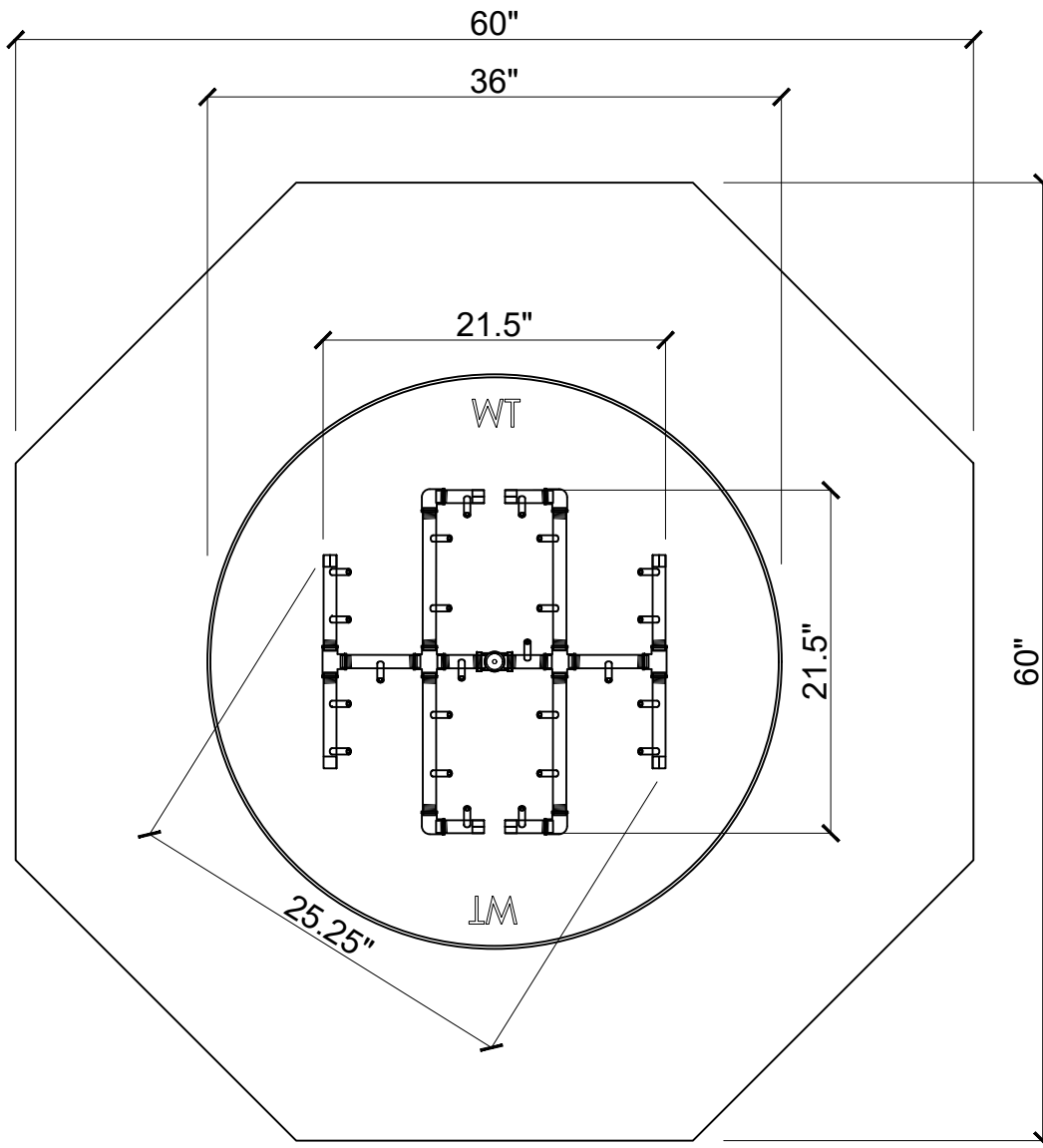
Date: MAY 2017

Customer:

Scale: 1 1/2" = 1'-0"

Tolerance: 0.125"

Dwg: S:_AutoCad Drawings\2017-STANDARD CFB Final Drawings\RTF KITS\Octagon\FO54_180K



PLAN VIEW

FO60NG FO60LP (CFB290K BTU)

PRODUCT DESCRIPTION:

The CFB290 is established with a specific air-to-gas mixture ratio which produces a taller, brighter flame while using half the fuel of conventional fire rings.

CFB290:

MAX OUTPUT: 290,000 BTU

DIMENSIONS: 21.5"L x 21.5"W x 3 1/4" H

Made from all brass, the CFB290 is non-corrosive and comes with a FULL LIFETIME WARRANTY.

Notes:

1. For outdoor/ exterior use only.
2. Modification of product will void any certification and warranty. Please see Warming Trends Warranty.
3. Follow all installation instructions and local codes.
4. Recommended to be installed by a certified plumbing professional.

CERTIFIED UNITS

Compliance with the following Codes:

1. 2015, 2012 and 2009 International Fire Code (IFC)
2. 2015, 2012 and 2009 International Fuel Gas Code (IFGC)
3. 2012 and 2009 Uniform Mechanical Code (UMC)*
4. 2010 Natural Gas and Propane Installation Code**

Compliance with the following standards:

1. ANSI Z 21.97/CSA 2.41-2014 Outdoor Decorative Gas Appliances



CONFIDENTIAL:

Any information data and drawings embodied in this document are proprietary and strictly confidential, are to be held as confidential and supplied with the understanding that they will not be disclosed, in whole or in part or in any form, to third parties without the prior written consent of Warming Trends, Inc. All information, illustrations, screen shots, and data contained are herein Copyright © Warming Trends Inc. all rights reserved.

Date: AUG 2017

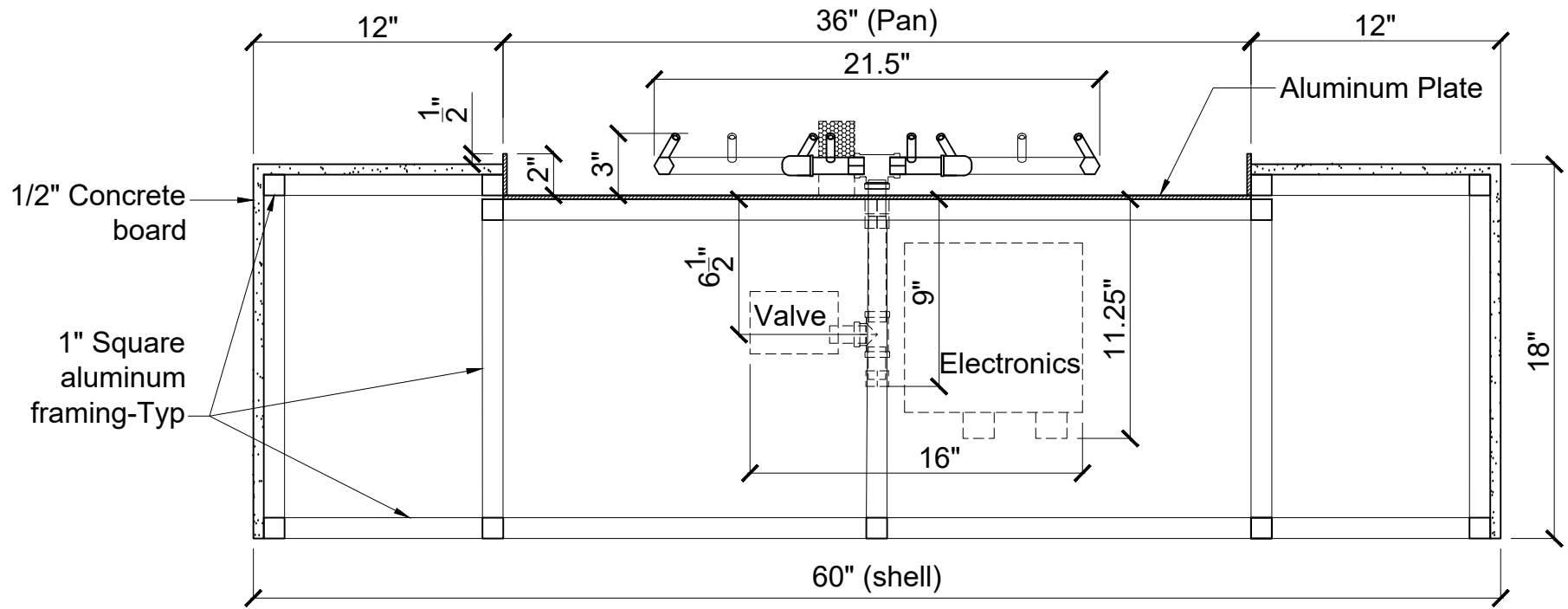
Customer:

Scale: 1"= 1'-0"

Tolerance: 0.125"

Dwg: S:_AutoCad Drawings\2017-STANDARD CFB Final Drawings\RTF KITS\Octagon\FO60\FO60_290K

FO60NG
FO60LP
(CFB290K BTU)



SECTION VIEW

PRODUCT DESCRIPTION:

The CFB290 is established with a specific air-to-gas mixture ratio which produces a taller, brighter flame while using half the fuel of conventional fire rings.

CFB290:

MAX OUTPUT: 290,000 BTU DIMENSIONS: 21.5"L x 21.5"W x 3 1/4"H

Made from all brass, the Crossfire Brass Burner is non-corrosive and comes with a FULL LIFETIME WARRANTY.

NOTES:

1. For outdoor/ exterior use only.
2. Modification of product will void any certification and warranty. Please see Warming Trends Warranty.
3. Follow all installation instructions and local codes.
4. Recommended to be installed by a certified plumbing professional.



CONFIDENTIAL:

Any information data and drawings embodied in this document are proprietary and strictly confidential, are to be held as confidential and supplied with the understanding that they will not be disclosed, in whole or in part or in any form, to third parties without the prior written consent of Warming Trends, Inc. All information, illustrations, screen shots, and data contained are herein Copyright © Warming Trends Inc. all rights reserved.

Date: MAY 2017

Customer:

Scale: 1-1/2" = 1'-0"

Tolerance: 0.125"

Dwg: S:_AutoCad Drawings\2017-STANDARD CFB Final Drawings\RTF KITS\Octagon\FO60_290K