

PLAN VIEW

# FR4830NG FR4830LP (CFBL110K)

**PRODUCT DESCRIPTION:**

The CFBL110 is established with a specific air-to-gas mixture ratio which produces a taller, brighter flame while using half the fuel of conventional fire rings.

CFBL110:

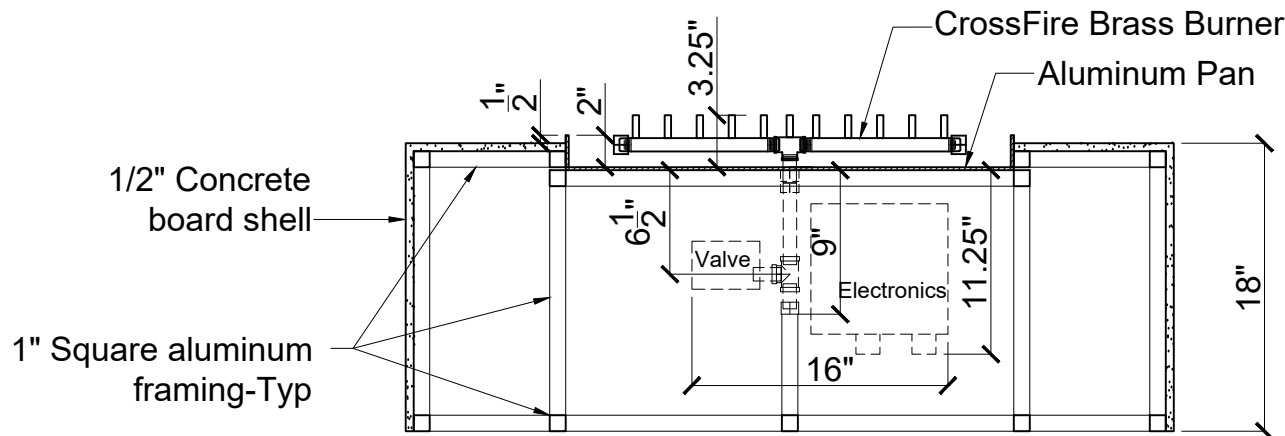
MAX OUTPUT: 110,000 BTU

DIMENSIONS: 22"L x 3 1/4"H

Made from all brass, the CFBL110 is non-corrosive and comes with a **FULL LIFETIME WARRANTY**.

**Notes:**

1. For outdoor/ exterior use only.
2. Modification of product will void any certification and warranty. Please see Warming Trends Warranty.
3. Follow all installation instructions and local codes.
4. Recommended to be installed by a certified plumbing professional.



SECTION VIEW

**Compliance with the following standards:**

1. ANSI Z 21.97/CSA 2.41-2014  
Outdoor Decorative Gas Appliances



**CONFIDENTIAL:**

Any information data and drawings embodied in this document are proprietary and strictly confidential, are to be held as confidential and supplied with the understanding that they will not be disclosed, in whole or in part or in any form, to third parties without the prior written consent of Warming Trends, Inc. All information, illustrations, screen shots, and data contained are herein Copyright © Warming Trends Inc. all rights reserved.

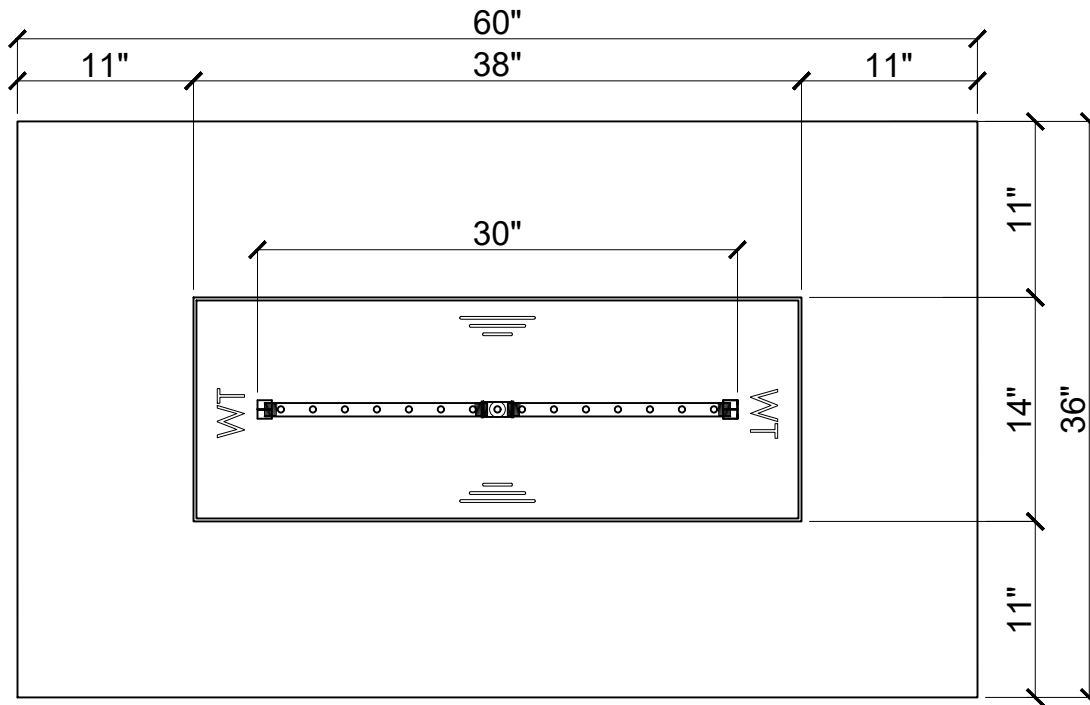
Date: APR 2018

Customer:

Scale: 1" = 1'-0"

Tolerance: 0.125"

Dwg: S:\\_AutoCad Drawings\2017-STANDARD CFB FINAL DWGS\RTF KITS\Rectangular\FR4830\FR4830\_100K



PLAN VIEW

**FR6036NG  
FR6036LP  
(CFBL150K)**

**PRODUCT DESCRIPTION:**

The CFBL150 is established with a specific air-to-gas mixture ratio which produces a taller, brighter flame while using half the fuel of conventional fire rings.

CFBL150:

MAX OUTPUT: 150,000 BTU

DIMENSIONS: 30"L x 3 1/4"H

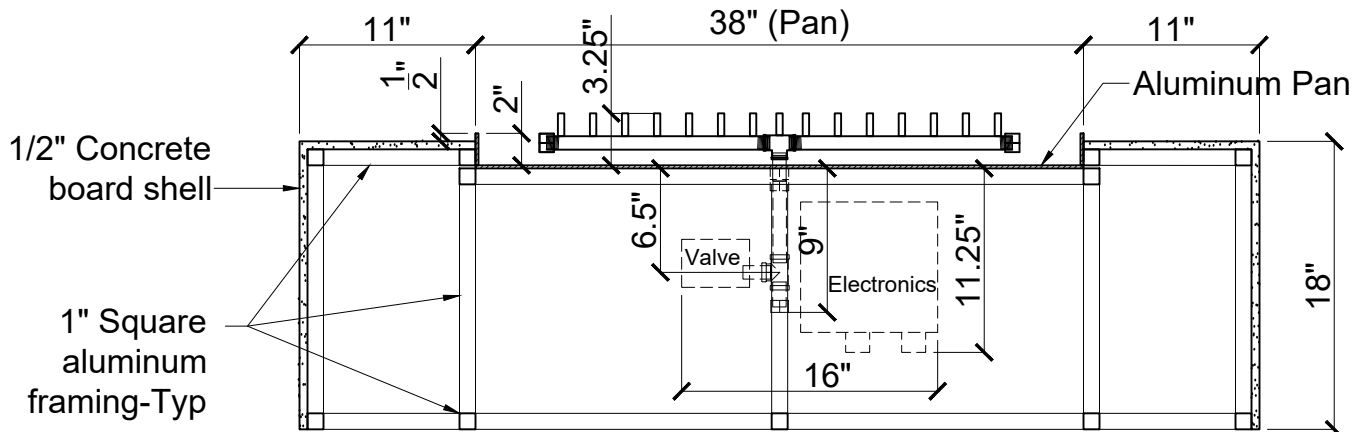
Made from all brass, the CFBL150 is non-corrosive and comes with a **FULL LIFETIME WARRANTY**.

**Notes:**

1. For outdoor/ exterior use only.
2. Modification of product will void any certification and warranty. Please see Warming Trends Warranty.
3. Follow all installation instructions and local codes.
4. Recommended to be installed by a certified plumbing professional.

**Compliance with the following standards:**

1. ANSI Z 21.97/CSA 2.41-2014  
Outdoor Decorative Gas Appliances



SECTION VIEW



**CONFIDENTIAL:**

Any information data and drawings embodied in this document are proprietary and strictly confidential, are to be held as confidential and supplied with the understanding that they will not be disclosed, in whole or in part or in any form, to third parties without the prior written consent of Warming Trends, Inc. All information, illustrations, screen shots, and data contained are herein Copyright © Warming Trends Inc. all rights reserved.

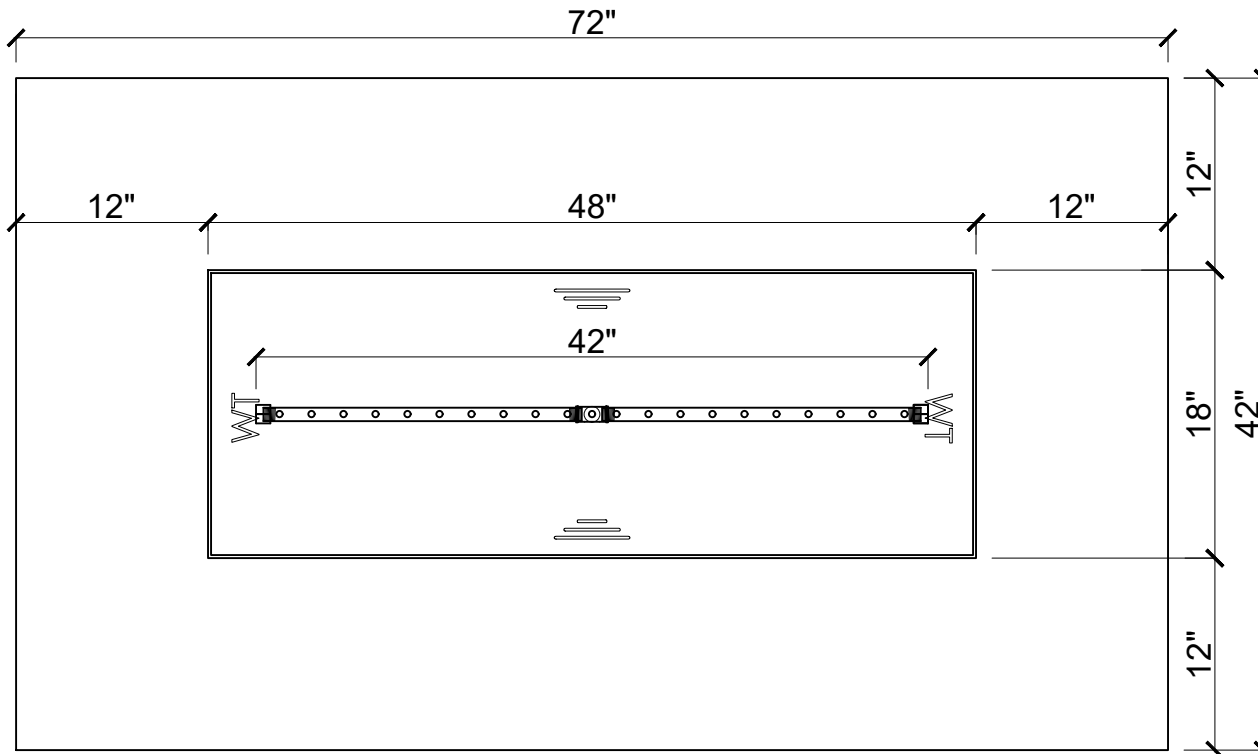
Date: AUG 2017

Customer:

Scale: 1"= 1'-0"

Tolerance: 0.125"

Dwg: S:\\_AutoCad Drawings\2017-STANDARD CFB Final Drawings\RTF KITS\Rectangular\FR6036\FR6036\_150K



PLAN VIEW

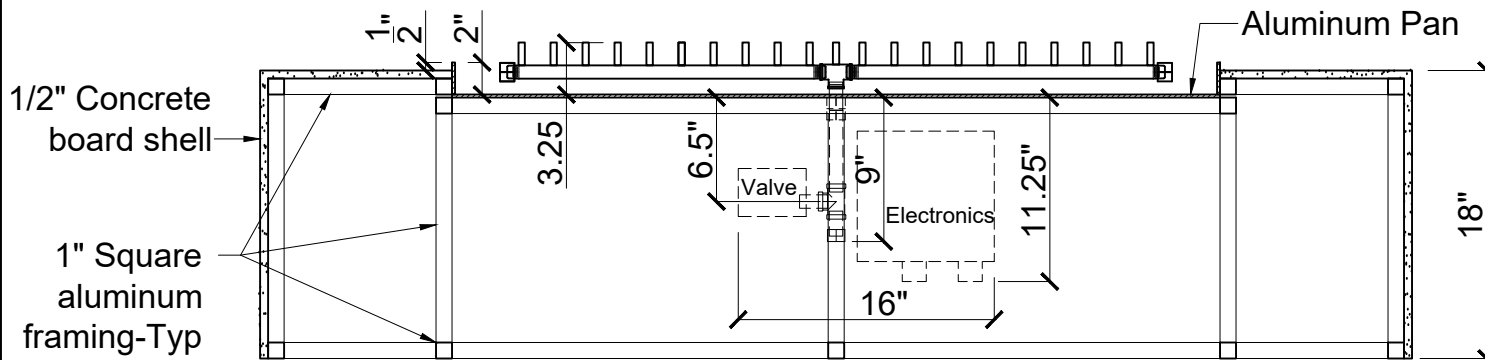
**FR7242NG  
FR7242LP  
(CFBL210K)**

**PRODUCT DESCRIPTION:**  
The CFBL210 is established with a specific air-to-gas mixture ratio which produces a taller, brighter flame while using half the fuel of conventional fire rings.

**CFBL210:**  
MAX OUTPUT: 210,000 BTU  
DIMENSIONS: 42"L x 3 1/4"H

Made from all brass, the CFBL210 is non-corrosive and comes with a **FULL LIFETIME WARRANTY**.

- Notes:**
1. For outdoor/ exterior use only.
  2. Modification of product will void any certification and warranty. Please see Warming Trends Warranty.
  3. Follow all installation instructions and local codes.
  4. Recommended to be installed by a certified plumbing professional.



SECTION VIEW

**Compliance with the following standards:**

1. ANSI Z 21.97/CSA 2.41-2014 Outdoor Decorative Gas Appliances



**CONFIDENTIAL:**  
Any information data and drawings embodied in this document are proprietary and strictly confidential, are to be held as confidential and supplied with the understanding that they will not be disclosed, in whole or in part or in any form, to third parties without the prior written consent of Warming Trends, Inc. All information, illustrations, screen shots, and data contained are herein Copyright © Warming Trends Inc. all rights reserved.

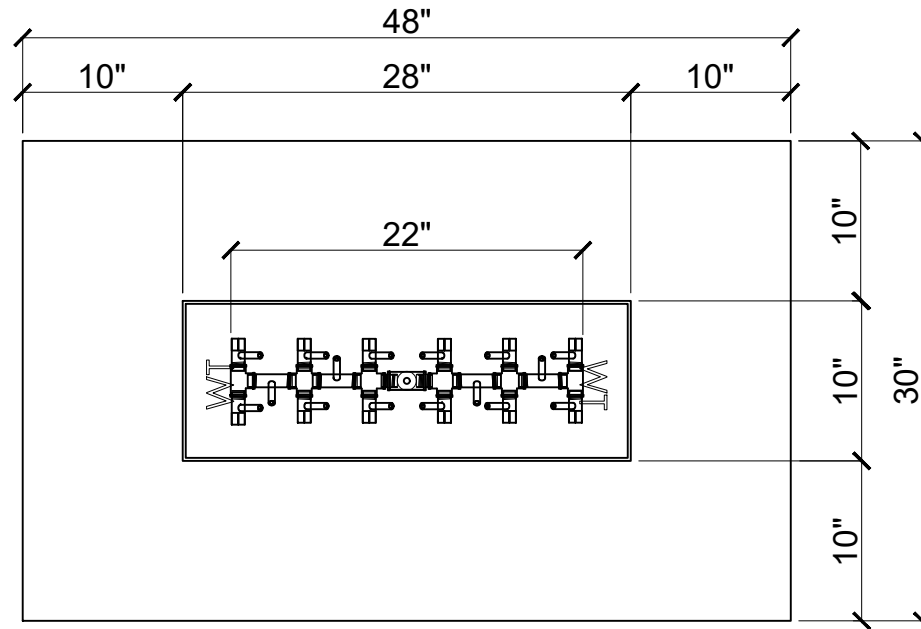
Date: AUG 2017

Customer:

Scale: 1"= 1'-0"

Tolerance: 0.125"

Dwg: S:\\_AutoCad Drawings\2017-STANDARD CFB Final Drawings\RTF KITS\Rectangular\FR7242\FR7242\_210K



PLAN VIEW

# FRT4830NG FRT4830LP (CFBT170K)

**PRODUCT DESCRIPTION:**

The CFBT170 is established with a specific air-to-gas mixture ratio which produces a taller, brighter flame while using half the fuel of conventional fire rings.

CFBT170:

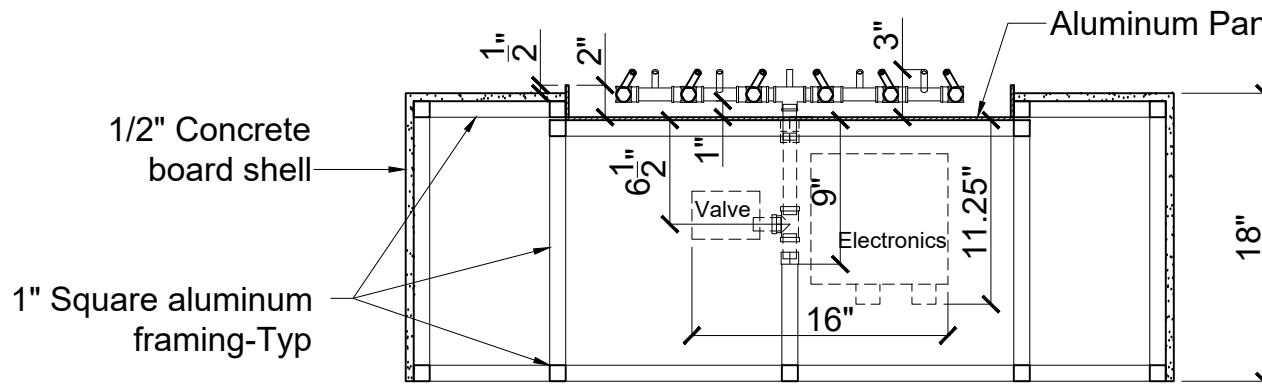
MAX OUTPUT: 170,000 BTU

DIMENSIONS: 22"L x 7 1/4"H

Made from all brass, the CFBT170 is non-corrosive and comes with a **FULL LIFETIME WARRANTY**.

**Notes:**

1. For outdoor/ exterior use only.
2. Modification of product will void any certification and warranty. Please see Warming Trends Warranty.
3. Follow all installation instructions and local codes.
4. Recommended to be installed by a certified plumbing professional.



SECTION VIEW

Compliance with the following standards:

1. ANSI Z 21.97/CSA 2.41-2014  
Outdoor Decorative Gas Appliances



**CONFIDENTIAL:**

Any information data and drawings embodied in this document are proprietary and strictly confidential, are to be held as confidential and supplied with the understanding that they will not be disclosed, in whole or in part or in any form, to third parties without the prior written consent of Warming Trends, Inc. All information, illustrations, screen shots, and data contained are herein Copyright © Warming Trends Inc. all rights reserved.

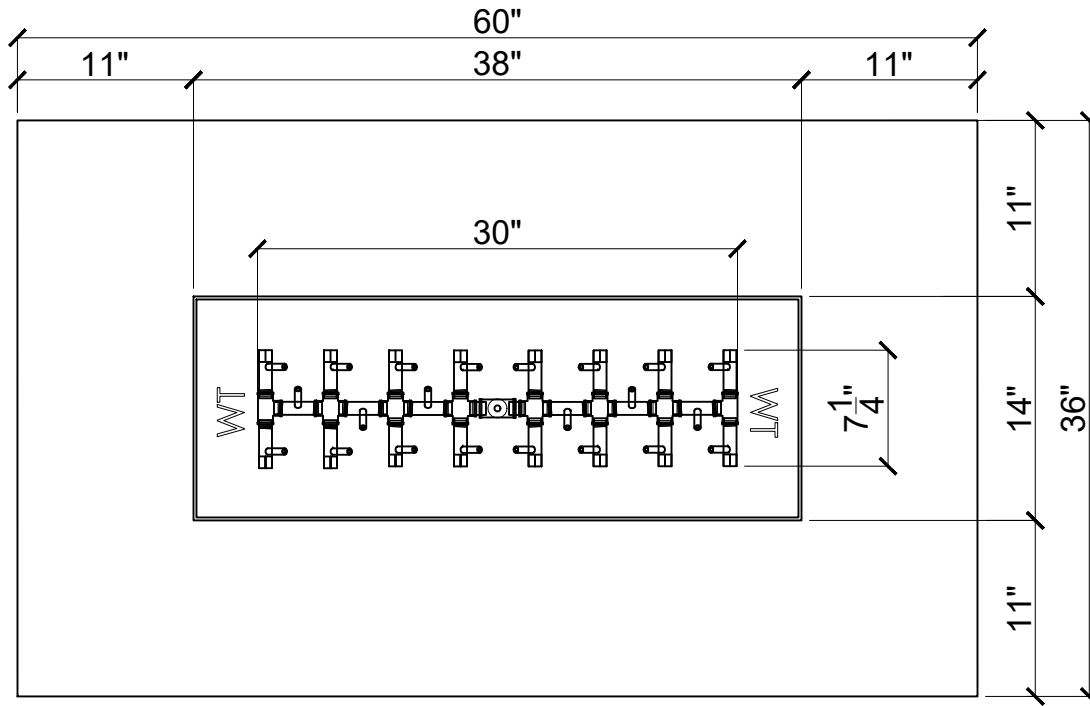
Date: May 2018

Customer:

Scale: 1" = 1'-0"

Tolerance: 0.125"

Dwg: S:\\_AutoCad Drawings\2017-STANDARD CFB FINAL DWGS\RTF KITS\Rectangular\FR4830\FRT4830\_170K



PLAN VIEW

# FRT6036NG FRT6036LP (CFBT230K)

## PRODUCT DESCRIPTION:

The CFBT230 is established with a specific air-to-gas mixture ratio which produces a taller, brighter flame while using half the fuel of conventional fire rings.

CFBT230:

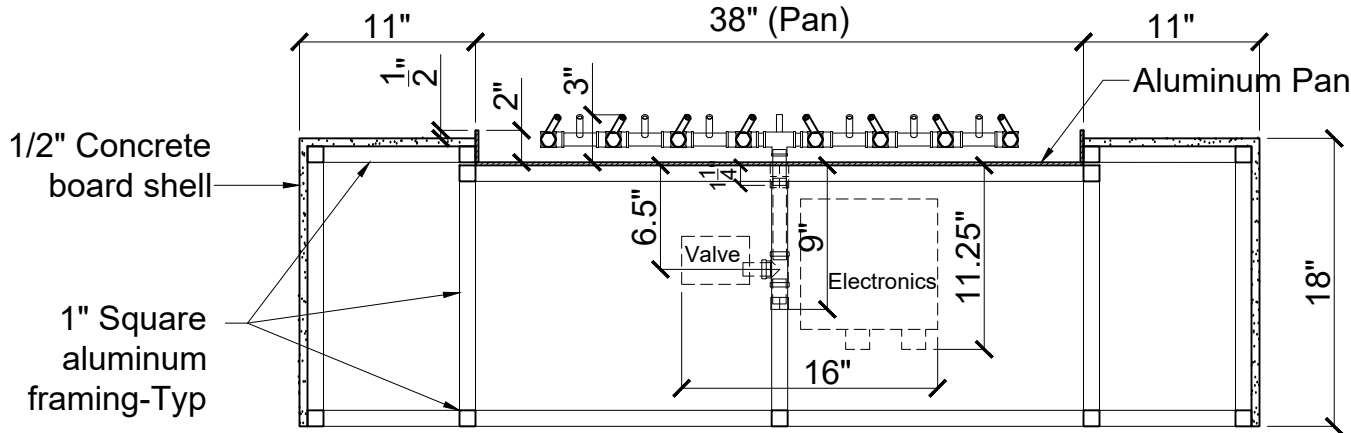
MAX OUTPUT: 230,000 BTU

DIMENSIONS: 30"L x 7 1/4"H

Made from all brass, the CFBT230 is non-corrosive and comes with a FULL LIFETIME WARRANTY.

## Notes:

1. For outdoor/ exterior use only.
2. Modification of product will void any certification and warranty. Please see Warming Trends Warranty.
3. Follow all installation instructions and local codes.
4. Recommended to be installed by a certified plumbing professional.



SECTION VIEW

Compliance with the following standards:

1. ANSI Z 21.97/CSA 2.41-2014  
Outdoor Decorative Gas Appliances



## CONFIDENTIAL:

Any information data and drawings embodied in this document are proprietary and strictly confidential, are to be held as confidential and supplied with the understanding that they will not be disclosed, in whole or in part or in any form, to third parties without the prior written consent of Warming Trends, Inc. All information, illustrations, screen shots, and data contained are herein Copyright © Warming Trends Inc. all rights reserved.

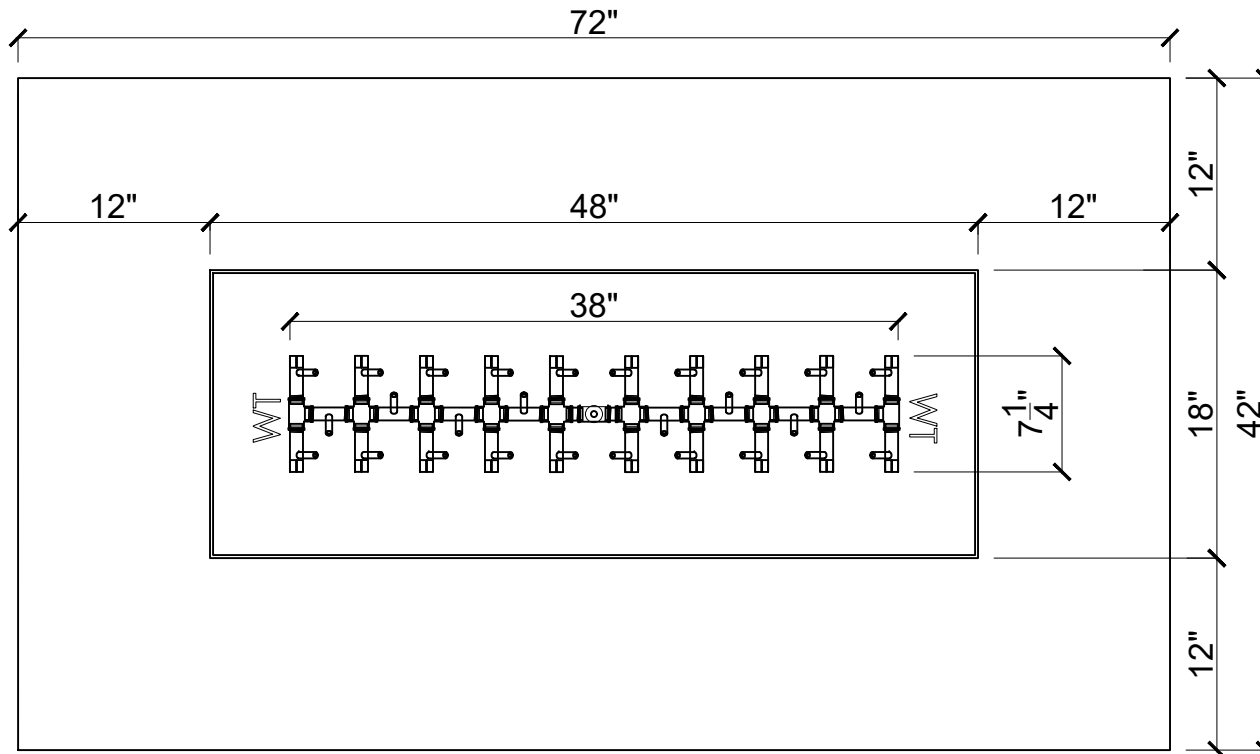
Date: May 2018

Customer:

Scale: 1"= 1'-0"

Tolerance: 0.125"

Dwg: S:\\_AutoCad Drawings\2017-STANDARD CFB FINAL DWGS\RTF KITS\Rectangular\FR6036\FRT6036\_230K



PLAN VIEW

FR7242NG  
FR7242LP  
(CFBT290K)

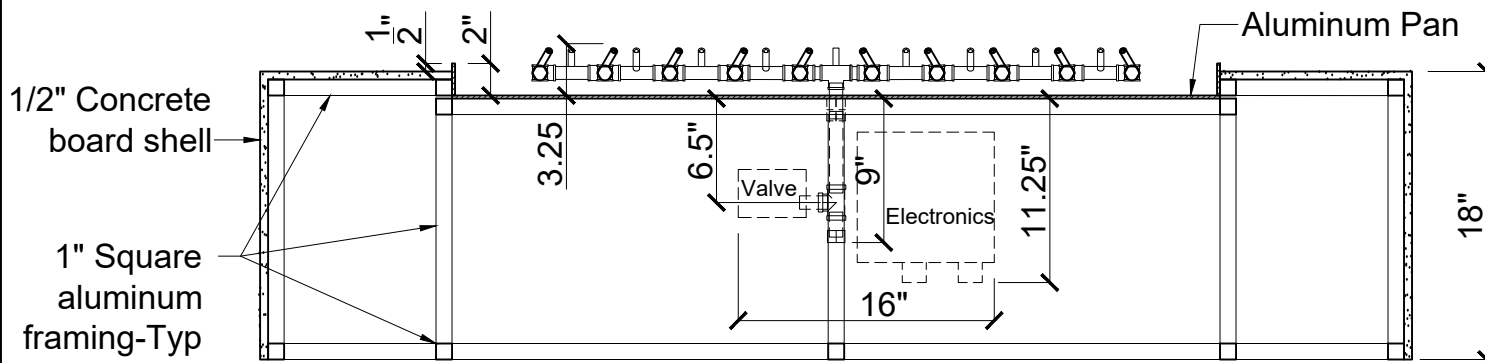
PRODUCT DESCRIPTION:  
The CFBT290 is established with a specific air-to-gas mixture ratio which produces a taller, brighter flame while using half the fuel of conventional fire rings.

CFBT290:  
MAX OUTPUT: 290,000 BTU  
DIMENSIONS: 38"L x 7 1/4"H

Made from all brass, the CFBT290 is non-corrosive and comes with a FULL LIFETIME WARRANTY.

Notes:

1. For outdoor/ exterior use only.
2. Modification of product will void any certification and warranty. Please see Warming Trends Warranty.
3. Follow all installation instructions and local codes.
4. Recommended to be installed by a certified plumbing professional.



SECTION VIEW

Compliance with the following standards:

1. ANSI Z 21.97/CSA 2.41-2014 Outdoor Decorative Gas Appliances



CONFIDENTIAL:

Any information data and drawings embodied in this document are proprietary and strictly confidential, are to be held as confidential and supplied with the understanding that they will not be disclosed, in whole or in part or in any form, to third parties without the prior written consent of Warming Trends, Inc. All information, illustrations, screen shots, and data contained are herein Copyright © Warming Trends Inc. all rights reserved.

Date: May 2018

Customer:

Scale: 1"= 1'-0"

Tolerance: 0.125"

Dwg: S:\\_AutoCad Drawings\2017-STANDARD CFB FINAL DWGS\RTF KITS\Rectangular\FR7242\FR7242\_tree