

PLAN VIEW

FS3636NG FS3636LP (CFB120-V2, 120K BTU)

FS3636 Includes:

120K-V2 BTU CROSSFIRE™ Brass Burner + 36"L x 36"W x 18"H Aluminum Frame with Concrete Board Attached + 24" Aluminum Pan with 2" Sidewalls + One Bag of Black Lava Rock + 1/2" Flex Line Kit

PRODUCT DESCRIPTION:

The CFB120-V2 is established with a specific air-to-gas mixture ratio which produces a taller, brighter flame while using half the fuel of conventional fire rings.

CFB120-V2:

MAX OUTPUT: 120,000 BTU

DIMENSIONS: 13"L x 13"W x 3 1/4" H

Made from all brass, the CFB120-V2 is non-corrosive and comes with a FULL LIFETIME WARRANTY.

Notes:

1. For outdoor/ exterior use only.
2. Modification of product will void any certification and warranty. Please see Warming Trends Warranty.
3. Follow all installation instructions and local codes.
4. Recommended to be installed by a certified plumbing professional.

CERTIFIED UNITS

Compliance with the following Codes:

1. 2015, 2012 and 2009 International Fire Code (IFC)
2. 2015, 2012 and 2009 International Fuel Gas Code (IFGC)
3. 2012 and 2009 Uniform Mechanical Code (UMC)*
4. 2010 Natural Gas and Propane Installation Code**

Compliance with the following standards:

1. ANSI Z 21.97/CSA 2.41-2014 Outdoor Decorative Gas Appliances



CONFIDENTIAL:

Any information data and drawings embodied in this document are proprietary and strictly confidential, are to be held as confidential and supplied with the understanding that they will not be disclosed, in whole or in part or in any form, to third parties without the prior written consent of Warming Trends, Inc. All information, illustrations, screen shots, and data contained are herein Copyright © Warming Trends Inc. all rights reserved.

Date: AUG 2017

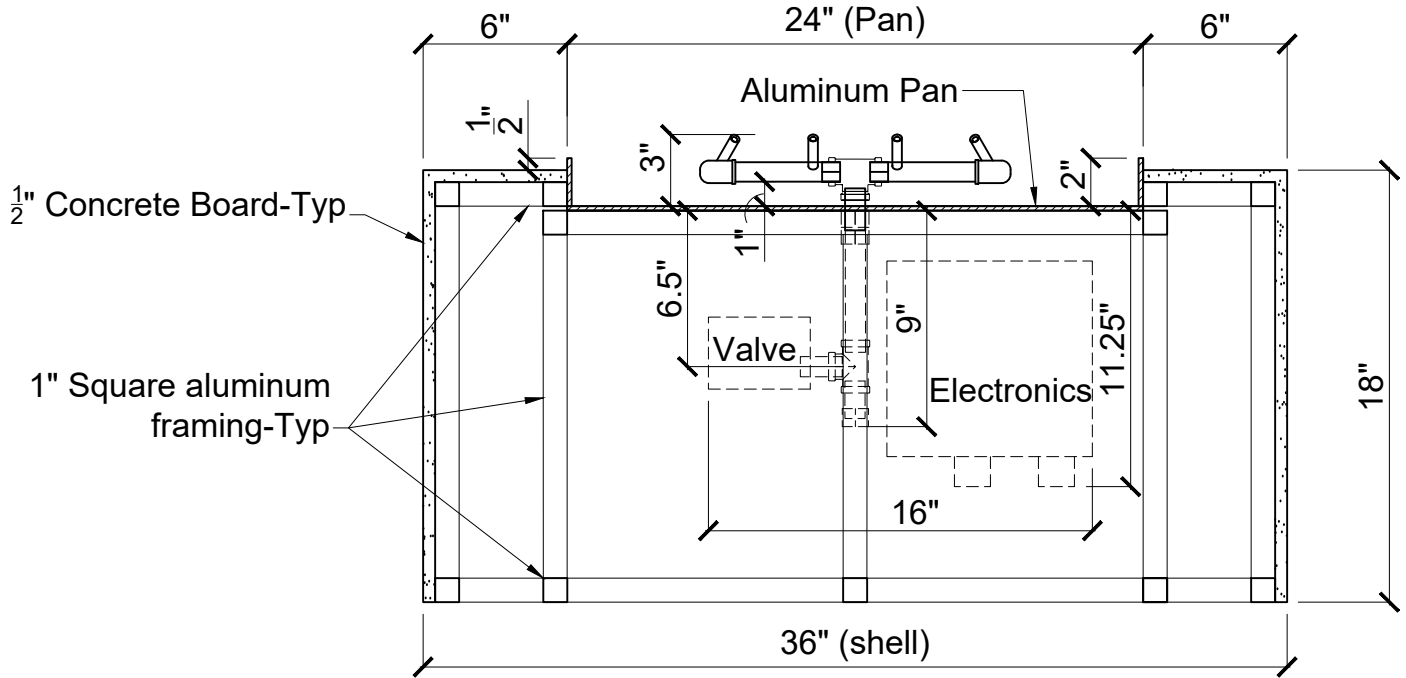
Customer:

Scale: 1-1/2" = 1'-0"

Tolerance: 0.125"

Dwg: S:_AutoCad Drawings\2017-STANDARD CFB Final Drawings\RTF KITS\Square\FS3636\FS3636_120K

FS3636NG
 FS3636LP
 (CFB120-V2, 120K BTU)



SECTION VIEW

PRODUCT DESCRIPTION:

The CFB120-V2 is established with a specific air-to-gas mixture ratio which produces a taller, brighter flame while using half the fuel of conventional fire rings.

CFB120-V2:

MAX OUTPUT: 120,000 BTU DIMENSIONS: 13"L x 13"W x 3 1/4"H

Made from all brass, the Crossfire Brass Burner is non-corrosive and comes with a FULL LIFETIME WARRANTY.

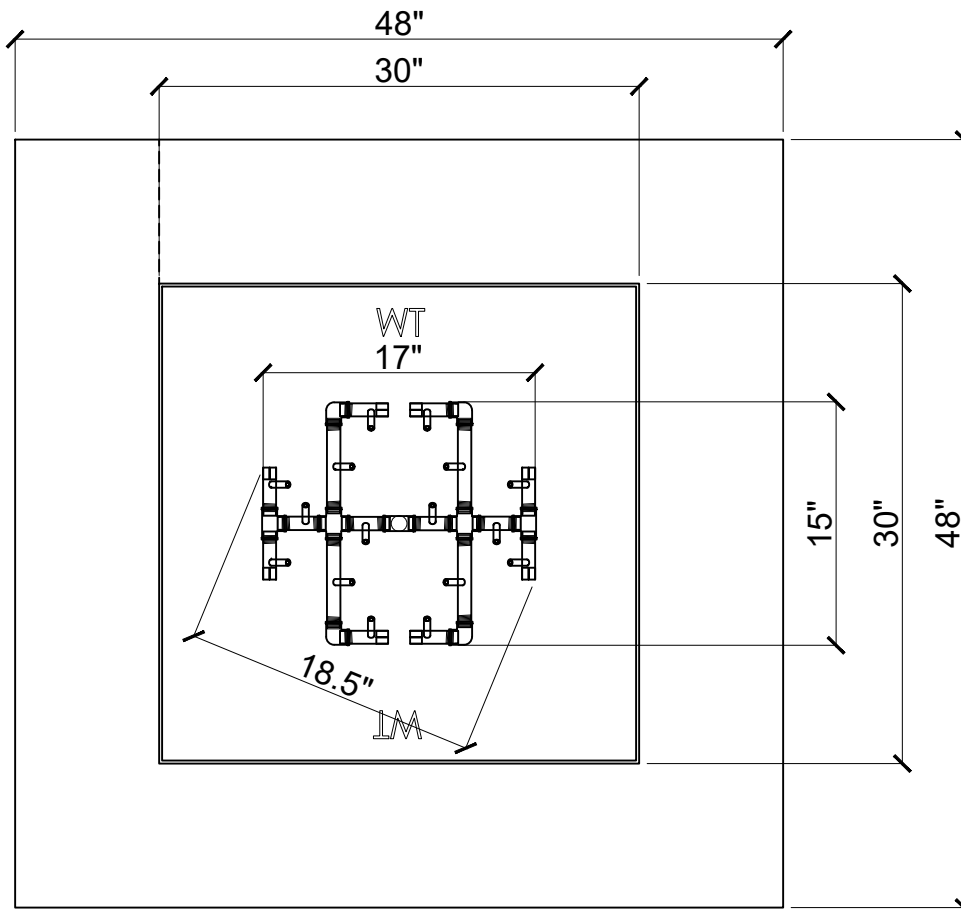
NOTES:

1. For outdoor/ exterior use only.
2. Modification of product will void any certification and warranty. Please see Warming Trends Warranty.
3. Follow all installation instructions and local codes.
4. Recommended to be installed by a certified plumbing professional.



CONFIDENTIAL:
 Any information data and drawings embodied in this document are proprietary and strictly confidential, are to be held as confidential and supplied with the understanding that they will not be disclosed, in whole or in part or in any form, to third parties without the prior written consent of Warming Trends, Inc. All information, illustrations, screen shots, and data contained are herein Copyright © Warming Trends Inc. all rights reserved.

Date: MAY 2017	Customer:
Scale: 1-1/2" = 1'-0"	
Tolerance: 0.125"	
Dwg: S:_AutoCad Drawings\2017-STANDARD CFB Final Drawings\RTF KITS\Square\FS3636_120K	



PLAN VIEW

FS4848NG FS4848LP (CFB180, 180K BTU)

FS4848 Includes:

180K BTU CROSSFIRE™ Brass Burner
+ 48" L x 48" W x 18" H Aluminum Frame with
Concrete Board Attached + 30" Aluminum Pan
with 2" Sidewalls + Two Bags of Black Lava
Rock + 3/4" Flex Line Kit + FIT180

PRODUCT DESCRIPTION:

The CFB180 is established with a specific air-to-gas mixture ratio which produces a taller, brighter flame while using half the fuel of conventional fire rings.

CFB180:

MAX OUTPUT: 180,000 BTU

DIMENSIONS: 17" L x 15" W x 3 1/4" H

Made from all brass, the CFB180 is non-corrosive and comes with a FULL LIFETIME WARRANTY.

Notes:

1. For outdoor/ exterior use only.
2. Modification of product will void any certification and warranty. Please see Warming Trends Warranty.
3. Follow all installation instructions and local codes.
4. Recommended to be installed by a certified plumbing professional.

CERTIFIED UNITS

Compliance with the following Codes:

1. 2015, 2012 and 2009 International Fire Code (IFC)
2. 2015, 2012 and 2009 International Fuel Gas Code (IFGC)
3. 2012 and 2009 Uniform Mechanical Code (UMC)*
4. 2010 Natural Gas and Propane Installation Code**

Compliance with the following standards:

1. ANSI Z 21.97/CSA 2.41-2014 Outdoor Decorative Gas Appliances



www.warming-trends.com

CONFIDENTIAL:

Any information data and drawings embodied in this document are proprietary and strictly confidential, are to be held as confidential and supplied with the understanding that they will not be disclosed, in whole or in part or in any form, to third parties without the prior written consent of Warming Trends, Inc. All information, illustrations, screen shots, and data contained are herein Copyright © Warming Trends Inc. all rights reserved.

Date: AUG 2017

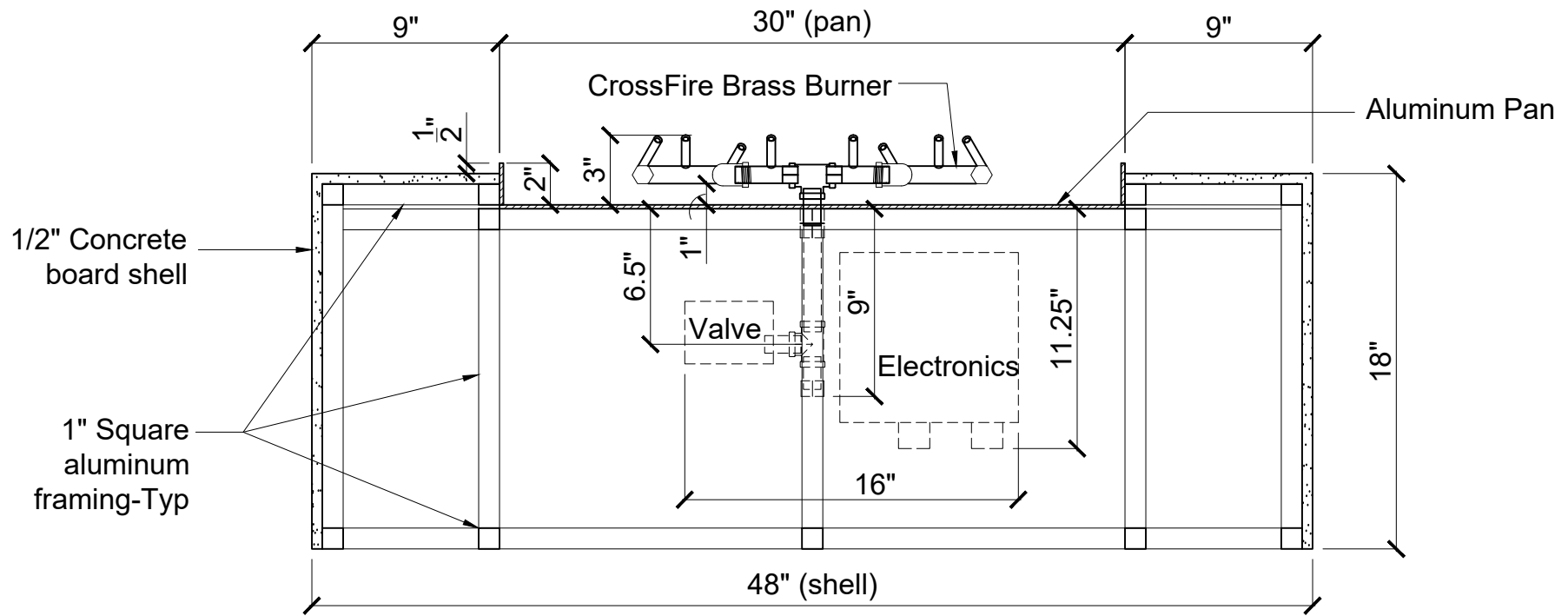
Customer:

Scale: 1" = 1'-0"

Tolerance: 0.125"

Dwg: S:_AutoCad Drawings\2017-STANDARD CFB Final Drawings\RTF KITS\Square\FS4848\FS4848_180K

FS4848NG
 FS4848LP
 (CFB180, 180K BTU)



SECTION VIEW

PRODUCT DESCRIPTION:

The CFB180 is established with a specific air-to-gas mixture ratio which produces a taller, brighter flame while using half the fuel of conventional fire rings.

CFB180:

MAX OUTPUT: 180,000 BTU DIMENSIONS: 17"L x 15"W x 3 1/4"H

Made from all brass, the Crossfire Brass Burner is non-corrosive and comes with a FULL LIFETIME WARRANTY.

NOTES:

1. For outdoor/ exterior use only.
2. Modification of product will void any certification and warranty. Please see Warming Trends Warranty.
3. Follow all installation instructions and local codes.
4. Recommended to be installed by a certified plumbing professional.



CONFIDENTIAL:

Any information data and drawings embodied in this document are proprietary and strictly confidential, are to be held as confidential and supplied with the understanding that they will not be disclosed, in whole or in part or in any form, to third parties without the prior written consent of Warming Trends, Inc. All information, illustrations, screen shots, and data contained are herein Copyright © Warming Trends Inc. all rights reserved.

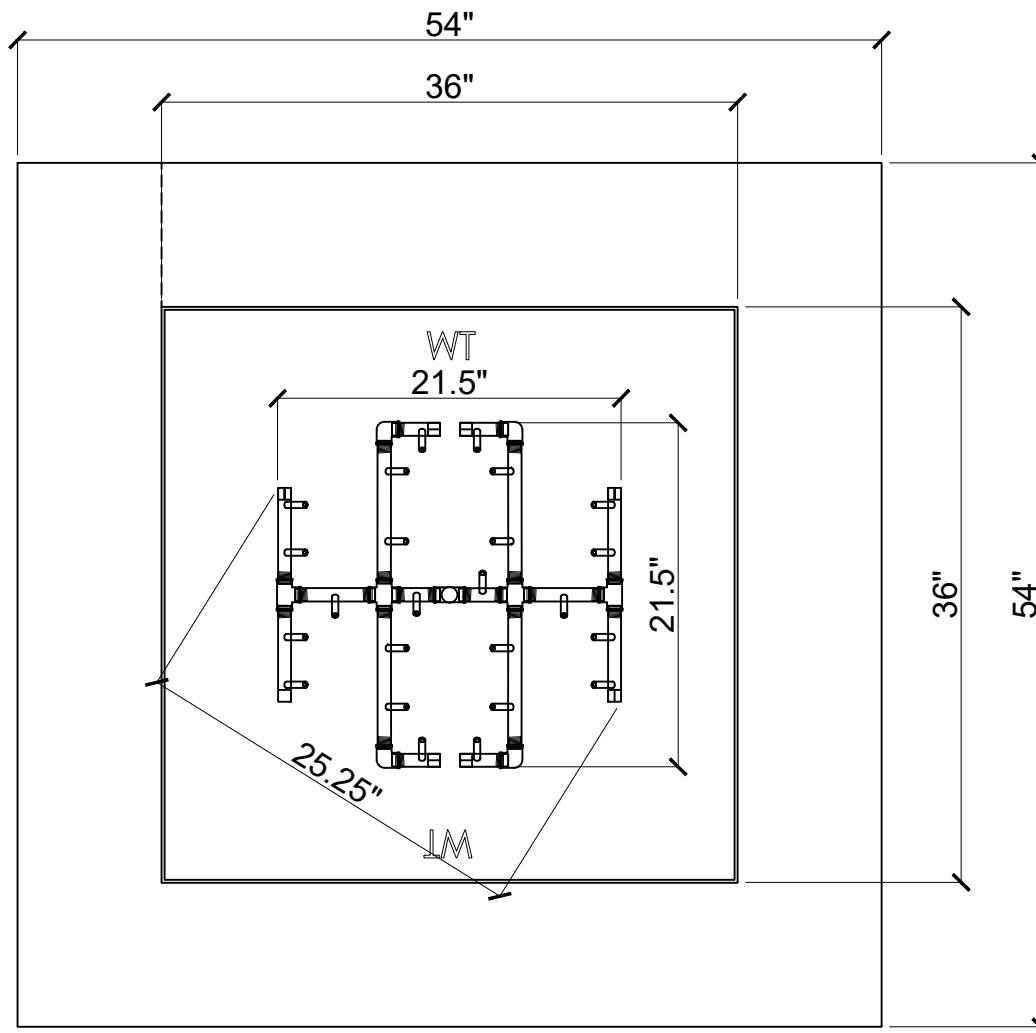
Date: MAY 2017

Customer:

Scale: 1 1/2" = 1'-0"

Tolerance: 0.125"

Dwg: S:_AutoCad Drawings\2017-STANDARD CFB Final Drawings\RTF KITS\Square\FS4848_180K



PLAN VIEW

FS5454NG FS5454LP (CFB290, 290K BTU)

FS5454 Includes:

290K BTU CROSSFIRE™ Brass Burner
+ 54"L x 54"W x 18"H Aluminum Frame with
Concrete Board Attached + 36" Aluminum Pan
with 2" Sidewalls + Two Bags of Black Lava
Rock + 3/4" Dual Flex Line Kit + FIT250

PRODUCT DESCRIPTION:

The CFB290 is established with a specific air-to-gas mixture ratio which produces a taller, brighter flame while using half the fuel of conventional fire rings.

CFB290:

MAX OUTPUT: 290,000 BTU

DIMENSIONS: 21.5"L x 21.5"W x 3 1/4"H

Made from all brass, the CFB290 is non-corrosive and comes with a FULL LIFETIME WARRANTY.

Notes:

1. For outdoor/ exterior use only.
2. Modification of product will void any certification and warranty. Please see Warming Trends Warranty.
3. Follow all installation instructions and local codes.
4. Recommended to be installed by a certified plumbing professional.

CERTIFIED UNITS

Compliance with the following Codes:

1. 2015, 2012 and 2009 International Fire Code (IFC)
2. 2015, 2012 and 2009 International Fuel Gas Code (IFGC)
3. 2012 and 2009 Uniform Mechanical Code (UMC)*
4. 2010 Natural Gas and Propane Installation Code**

Compliance with the following standards:

1. ANSI Z 21.97/CSA 2.41-2014 Outdoor Decorative Gas Appliances



www.warming-trends.com

CONFIDENTIAL:

Any information data and drawings embodied in this document are proprietary and strictly confidential, are to be held as confidential and supplied with the understanding that they will not be disclosed, in whole or in part or in any form, to third parties without the prior written consent of Warming Trends, Inc. All information, illustrations, screen shots, and data contained are herein Copyright © Warming Trends Inc. all rights reserved.

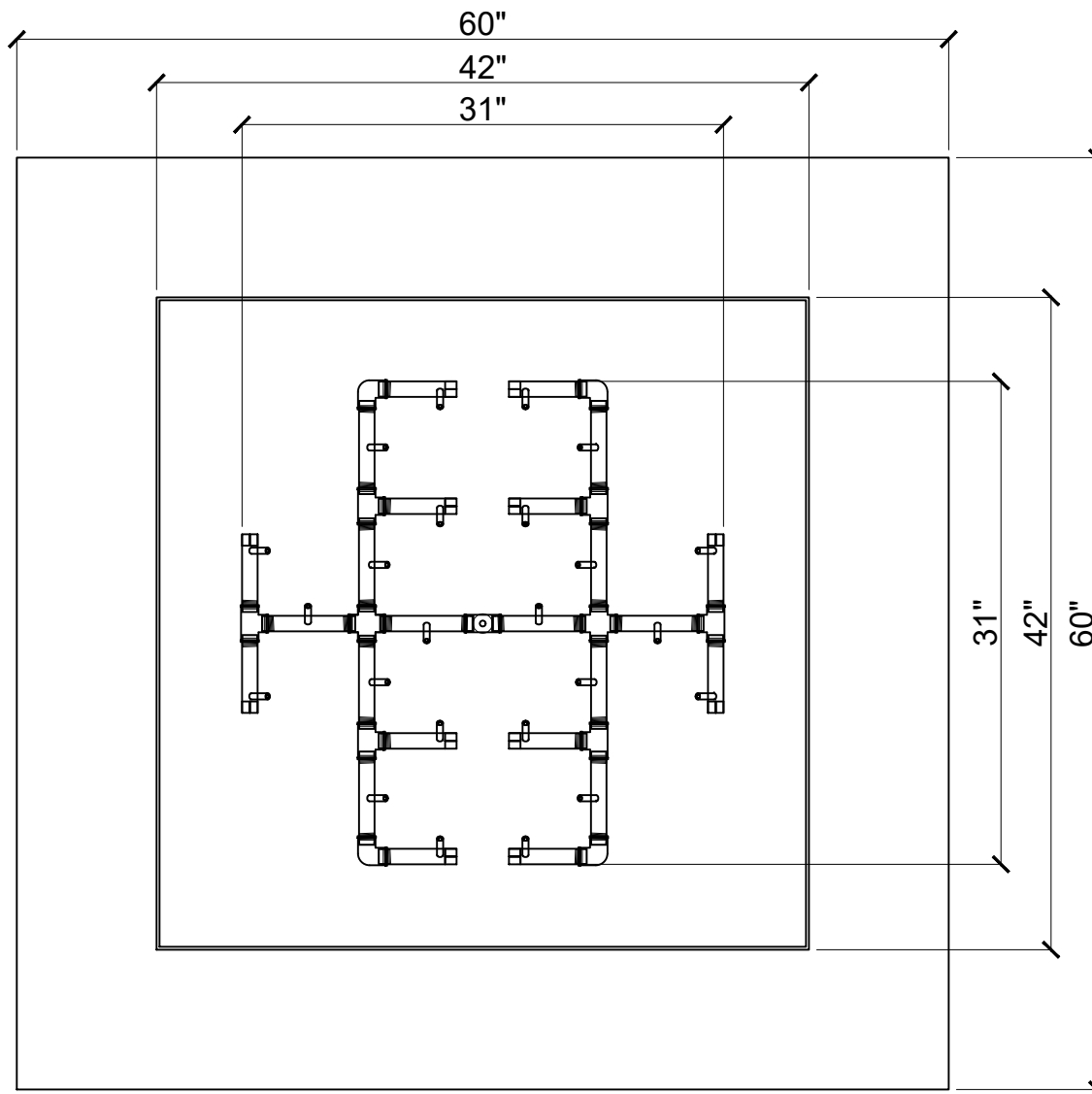
Date: AUG 2017

Customer:

Scale: 1" = 1'-0"

Tolerance: 0.125"

Dwg: S:_AutoCad Drawings\2017-STANDARD CFB Final Drawings\RTF KITS\Square\FS5454\FS5454_290K



PLAN VIEW

FS6060NG FS6060LP (CFB 300K BTU)

PRODUCT DESCRIPTION:

The CFB300 is established with a specific air-to-gas mixture ratio which produces a taller, brighter flame while using half the fuel of conventional fire rings.

CFB300:

MAX OUTPUT: 300,000 BTU

BURNER DIMENSIONS: 31"L x 31"W x 3 1/4" H

PAN DIMENSIONS: 42" Square

Made from all brass, the CFB300 is non-corrosive and comes with a FULL LIFETIME WARRANTY.

Notes:

1. For outdoor/ exterior use only.
2. Modification of product will void any certification and warranty. Please see Warming Trends Warranty.
3. Follow all installation instructions and local codes.
4. Recommended to be installed by a certified plumbing professional.

CERTIFIED UNITS

Compliance with the following Codes:

1. 2015, 2012 and 2009 International Fire Code (IFC)
2. 2015, 2012 and 2009 International Fuel Gas Code (IFGC)
3. 2012 and 2009 Uniform Mechanical Code (UMC)*
4. 2010 Natural Gas and Propane Installation Code**

Compliance with the following standards:

1. ANSI Z 21.97/CSA 2.41-2014 Outdoor Decorative Gas Appliances



CONFIDENTIAL:

Any information data and drawings embodied in this document are proprietary and strictly confidential, are to be held as confidential and supplied with the understanding that they will not be disclosed, in whole or in part or in any form, to third parties without the prior written consent of Warming Trends, Inc. All information, illustrations, screen shots, and data contained are herein Copyright © Warming Trends Inc. all rights reserved.

Date: JAN 2018

Customer:

Scale: 1" = 1'-0"

Estimate #:

Tolerance: 0.125"

Revision Date: --/--/2017

Dwg: S:_AutoCad Drawings\2017-STANDARD CFB FINAL DWGS\RTF KITS\Square\F6060\F6060_300K