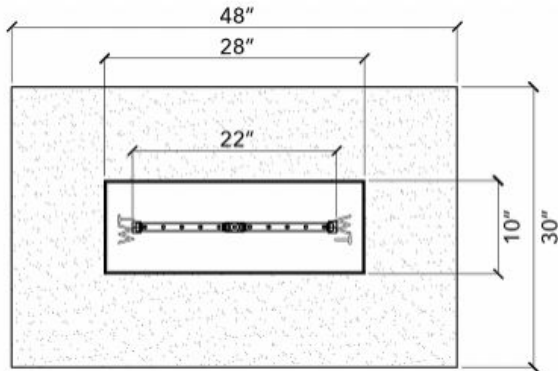


RECTANGULAR LINEAR READY-TO-FINISH KITS

FR6036



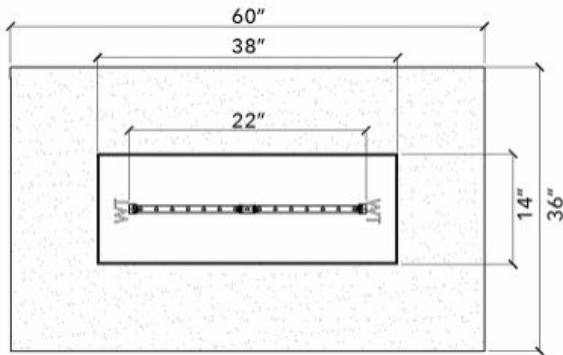
FR4830NG | FR4830LP

Dimensions: 48" L x 30" W x 18" H Aluminum Frame with Concrete Board Attached

Includes:

- CFBL110 22" Linear Brass Burner
- 28"x 10" Aluminum Pan with 2" Sidewalls
- Fire Pit Vent Kit
- 3/4" Flex Line Kit
- Key Valve Extension

Ignition systems options available: Push Button, 3 Volt, 24 Volt Spark Ignition, 24 Volt Hot Surface Ignition (SC)



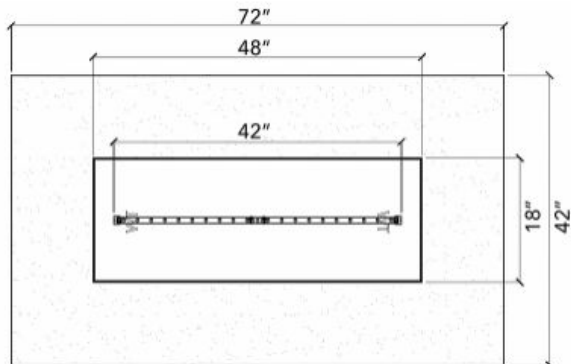
FR6036NG | FR6036LP

Dimensions: 60" L x 36" W x 18" H Aluminum Frame with Concrete Board Attached

Includes:

- CFBL150 30" Linear Brass Burner
- 38"x 14" Aluminum Pan with 2" Sidewalls
- Fire Pit Vent Kit
- 3/4" Flex Line Kit
- Key Valve Extension

Ignition systems options available: Push Button, 24 Volt Spark Ignition, 24 Volt Hot Surface Ignition (SC)



FR7242NG | FR7242LP

Dimensions: 72" L x 42" W x 18" H Aluminum Frame with Concrete Board Attached

Includes:

- CFBL210 40" Linear Brass Burner
- 48"x 18" Aluminum Pan with 2" Sidewalls
- Fire Pit Vent Kit
- 3/4" Flex Line Kit
- Key Valve Extension

Ignition systems options available: Push Button, 24 Volt Spark Ignition, 24 Volt Hot Surface Ignition (SC)