

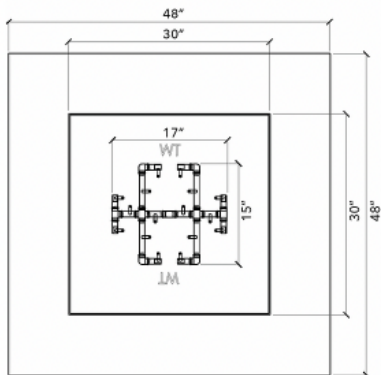
**FS3636NG | FS3636LP**

Dimensions: 36" x 36" W x 18" H Aluminum Frame with Concrete Board Attached

Includes:

- CFB120 Original Brass Burner
- 24" Aluminum Pan with 2" Sidewalls
- Fire Pit Vent Kit
- 3/4" Flex Line Kit
- Key Valve Extension

Ignition systems options available: Push Button, 3 Volt, 24 Volt Spark Ignition, 24 Volt Hot Surface Ignition (SC)



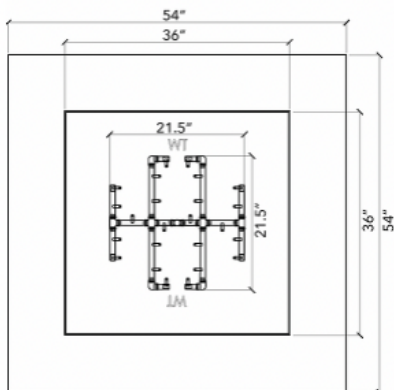
**FS4848NG | FS4848LP**

Dimensions: 48" x 48" W x 18" H Aluminum Frame with Concrete Board Attached

Includes:

- CFB180 Original Brass Burner
- 30" Aluminum Pan with 2" Sidewalls
- Fire Pit Vent Kit
- 3/4" Flex Line Kit
- Key Valve Extension

Ignition systems options available: Push Button, 24 Volt Spark Ignition, 24 Volt Hot Surface Ignition (SC)



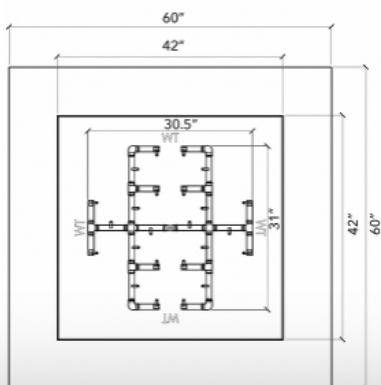
**FS5454NG | FS5454LP**

Dimensions: 54" x 54" W x 18" H Aluminum Frame with Concrete Board Attached

Includes:

- CFB290 Original Brass Burner
- 36" Aluminum Pan with 2" Sidewalls
- Fire Pit Vent Kit
- 3/4" Dual Flex Line Kit
- Key Valve Extension

Ignition systems options available: Push Button, 24 Volt Spark Ignition, 24 Volt Hot Surface Ignition (SC)



**FS6060NG | FS6060LP**

Dimensions: 60" x 60" W x 18" H Aluminum Frame with Concrete Board Attached

Includes:

- CFB300 Original Brass Burner
- 42" Aluminum Pan with 2" Sidewalls
- Fire Pit Vent Kit
- 3/4" Dual Flex Line Kit
- Key Valve Extension

Ignition systems options available: Push Button, 24 Volt Spark Ignition, 24 Volt Hot Surface Ignition (SC)