

# WARMING TRENDS<sup>®</sup>

SUPERIOR FIRE FEATURE SYSTEMS



# WARMING TRENDS®

Superior Design. Superior Performance.  
Superior Fire Feature Systems.



Standard Ring Burner with 180K BTU's

Don't settle for less.



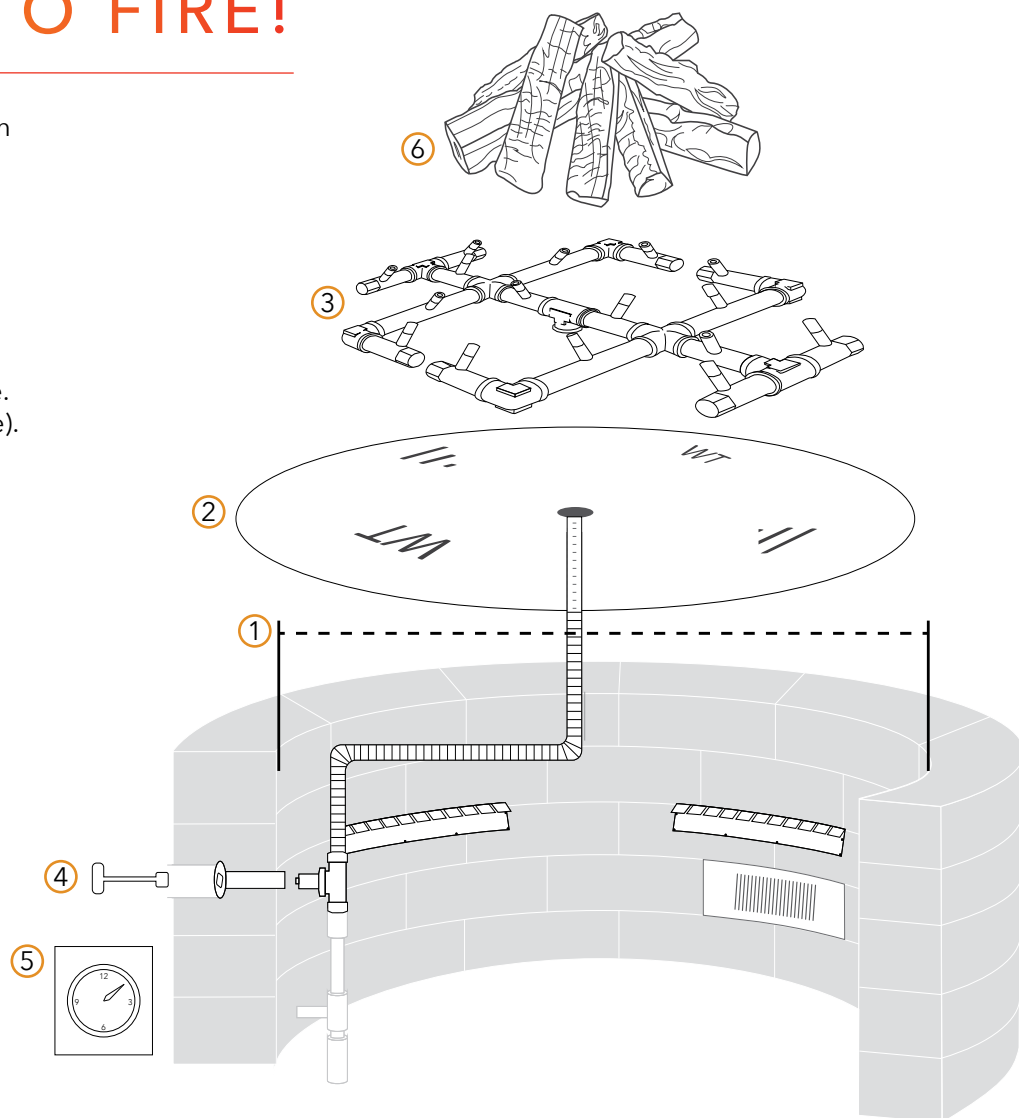
CFB180 CROSSFIRE® Brass Burner with  
180k BTU's

The patented CROSSFIRE® Brass Burner is the most fuel efficient burner in the industry, producing beautiful, tall, bright flames all while consuming less gas.

100% Brass. Lifetime Warranty. Made in the United States.

# SIX STEPS TO FIRE!

- ① Measure the interior dimension of your fire pit.
- ② Choose the corresponding Plate or Pan size. (Pans include a 2" welded sidewall).
- ③ Select Burner based on appropriate size and Fuel Type. (Natural Gas or Liquid Propane).
- ④ Choose the Ignition System: match lit, push button, or on/off switch.
- ⑤ Add Optional Electronic Accessories: remote control options, dial timers, and emergency stop buttons.
- ⑥ Complete the fire pit with Accessories: steel or ceramic logs, lava rock, or fire glass.



## BURNER MATCH FOR COMMON INTERIOR DIMENSIONS

Choose a burner based on the inside dimension of your enclosure - the fire pit plate or pan should be 6" larger than the burner to provide at least 3" between the edge of the burner and the inside edge of the fire feature.

INTERIOR DIMENSION	CIRCLE	SQUARE
24"	CFB120	CFB120
	CFBO180	CFBO180
30"	CFB180	CFB180
	CFB240	CFB240
	CFBO280	CFBO280
36"	CFB240	CFB240
	CFB290	CFB290
	CFBO280	CFBO280
42"	CFBO360	CFBO360

# TABLE OF CONTENTS

Options for Circular Openings	6
Options for Square Openings	14
Options for Rectangular Openings	21
Plates and Pans	30
Ready-to-Finish Kits	33
Universal Paver Kits	38
Ignitions, Accessories, & Media	42
Warranty	47



877 556 5255

orders@warming-trends.com

www.Warming-Trends.com



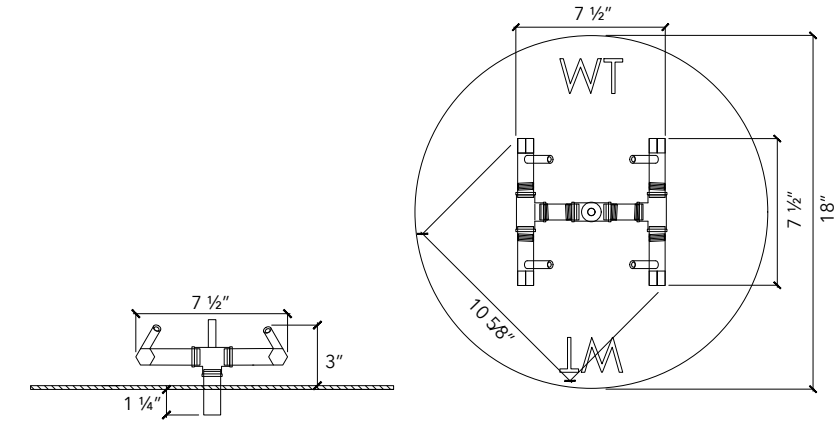
## OPTIONS FOR CIRCULAR OPENINGS

Designed for standard sized circular fire features, these CROSSFIRE® Brass Burners range from 60K to 450K BTUs.

Need a different size or shape? We're happy to help. Call our Flame Consultants at 877 556 5255



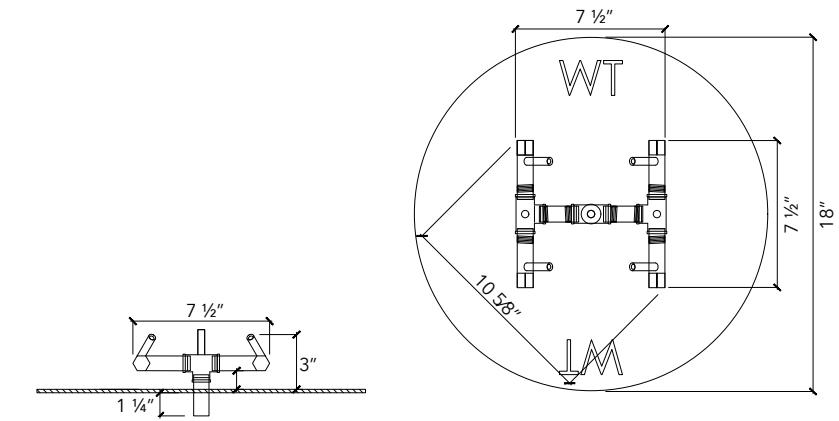
**ORIGINAL CFB60**  
For 18" opening or larger



SKU (NG OR LP)	DESCRIPTION	SHIP WEIGHT	SHIP DIMENSIONS
CFB60NG   CFB60LP	60K BTU Original Brass Burner	4 lbs	11" x 11" x 5"
Recommended parts: Plate: ALPL18C (circle) • Flex Line Kit: FLKV12 • Optional 3x Support Collars			
CFB60NGALPL18C CFB60LPALPL18C	with 18" Circular Plate	9 lbs	19" x 19" x 7"
CFB60NGALPL18CFLKV12 CFB60LPALPL18CFLKV12	with 18" Circular Plate + 1/2" Flex Line Kit	13 lbs	19" x 19" x 7"
Compatible Ignition Systems: Push Button, 3 Volt, 24 Volt Spark Ignition, 24 Volt Hot Surface Ignition (SC)			



**ORIGINAL CFB84**  
For 18" opening or larger



SKU (NG OR LP)	DESCRIPTION	SHIP WEIGHT	SHIP DIMENSIONS
CFB84NG   CFB84LP	84K BTU Original Brass Burner	4 lbs	11" x 11" x 5"
Recommended parts: Plate: ALPL18C (circle) • Flex Line Kit: FLKV12 • Optional 3x Support Collars			
CFB84NGALPL18C CFB84LPALPL18C	with 18" Circular Plate	9 lbs	19" x 19" x 7"
CFB84NGALPL18CFLKV12 CFB84LPALPL18CFLKV12	with 18" Circular Plate + 1/2" Flex Line Kit	13 lbs	19" x 19" x 7"
Compatible Ignition Systems: Push Button, 3 Volt, 24 Volt Spark Ignition, 24 Volt Hot Surface Ignition (SC)			

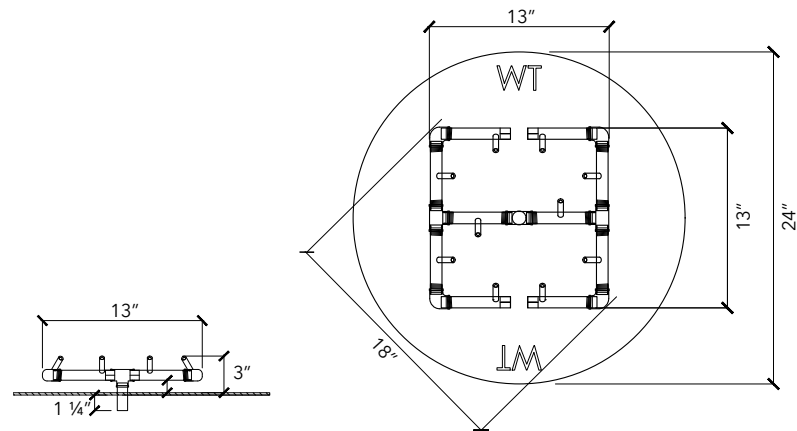
### SKU BREAKDOWN

**CFB0360NGALPL30CDFLKV34FIT300**

CROSSFIRE Brass Burner (Burner Type) | Octagonal BTU Gas Type | Plate Size of Plate | Shape of Plate | Flex Line, Key Valve & Fit Kit



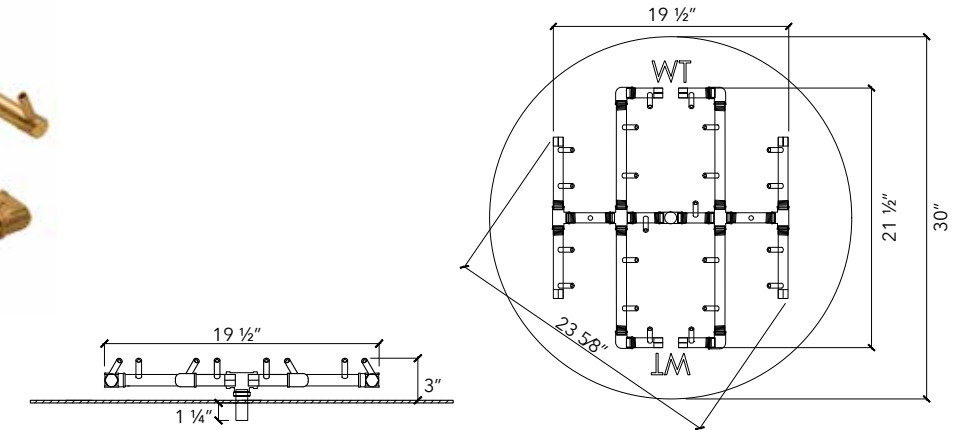
**ORIGINAL CFB120**  
For 24" opening or larger



SKU (NG OR LP)	DESCRIPTION	SHIP WEIGHT	SHIP DIMENSIONS
CFB120NG   CFB120LP	120K BTU Original Brass Burner	8 lbs	15" x 15" x 5"
Recommended parts: Plate: ALPL24C (circle) • Flex Line Kit: FLKV12 • Optional 4x Support Collars			
CFB120NGALPL24C CFB120LPALPL24C	with 24" Circular Plate	15 lbs	25" x 25" x 7"
CFB120NGALPL24CFLKV12 CFB120LPALPL24CFLKV12	with 24" Circular Plate + 1/2" Flex Line Kit	19 lbs	25" x 25" x 7"
Compatible Ignition Systems: Push Button, 3 Volt, 24 Volt Spark Ignition, 24 Volt Hot Surface Ignition (SC)			



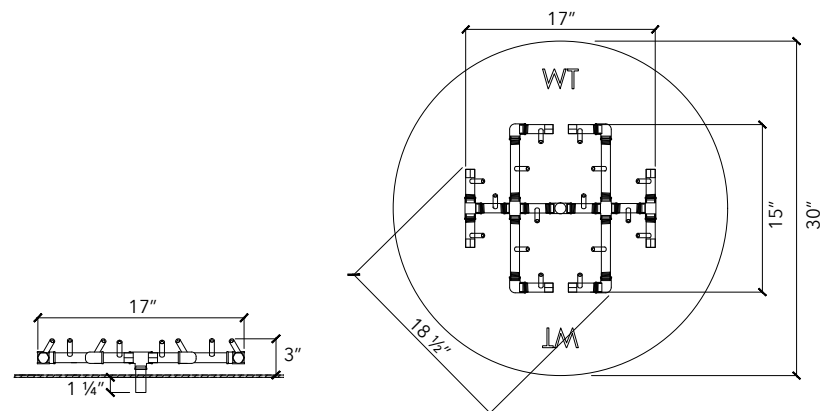
**ORIGINAL CFB240**  
For 30" opening or larger



SKU (NG OR LP)	DESCRIPTION	SHIP WEIGHT	SHIP DIMENSIONS
CFB240NG   CFB240LP	240K BTU Original Brass Burner	12 lbs	23" x 23" x 7"
Recommended parts: Plate: ALPL30C (circle) • Flex Line Kit: FLKV34FIT180 • Optional 5x Support Collars			
CFB240NGALPL30C CFB240LPALPL30C	with 30" Circular Plate	26 lbs	31" x 31" x 7"
CFB240NGALPL30CFLKV34FIT180 CFB240LPALPL30CFLKV34FIT180	with 30" Circular Plate + 3/4" Flex Line Kit + FIT180	32 lbs	31" x 31" x 7"
Compatible Ignition Systems: Push Button, 24 Volt Spark Ignition, 24 Volt Hot Surface Ignition (SC)			



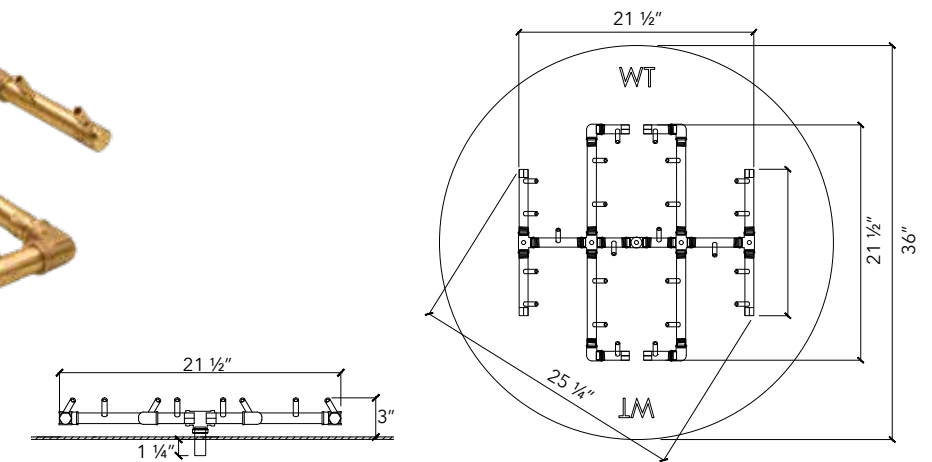
**ORIGINAL CFB180**  
For 30" opening or larger



SKU (NG OR LP)	DESCRIPTION	SHIP WEIGHT	SHIP DIMENSIONS
CFB180NG   CFB180LP	180K BTU Original Brass Burner	9 lbs	19" x 19" x 7"
Recommended parts: Plate: ALPL30C (circle) • Flex Line Kit: FLKV34FIT180 • Optional 5x Support Collars			
CFB180NGALPL30C CFB180LPALPL30C	with 30" Circular Plate	21 lbs	31" x 31" x 7"
CFB180NGALPL30CFLKV34FIT180 CFB180LPALPL30CFLKV34FIT180	with 30" Circular Plate + 3/4" Flex Line Kit + FIT180	25 lbs	31" x 31" x 7"
Compatible Ignition Systems: Push Button, 24 Volt Spark Ignition, 24 Volt Hot Surface Ignition (SC)			



**ORIGINAL CFB290**  
For 36" opening or larger



SKU (NG OR LP)	DESCRIPTION	SHIP WEIGHT	SHIP DIMENSIONS
CFB290NG   CFB290LP	290K BTU Original Brass Burner	12 lbs	23" x 23" x 7"
Recommended parts: Plate: ALPL18C (circle) • Flex Line Kit: FLKV34FIT250 • Optional 6x Support Collars			
CFB290NGALPL36C CFB290LPALPL36C	with 36" Circular Plate	30 lbs	37" x 37" x 9"
CFB290NGALPL36CFLKV34FIT250 CFB290LPALPL36CFLKV34FIT250	with 36" Circular Plate + 3/4" Flex Line Kit + FIT250	36 lbs	37" x 37" x 9"
Compatible Ignition Systems: Push Button, 24 Volt Spark Ignition, 24 Volt Hot Surface Ignition (SC)			

PAN AND PLATES AVAILABLE ON PAGE 30

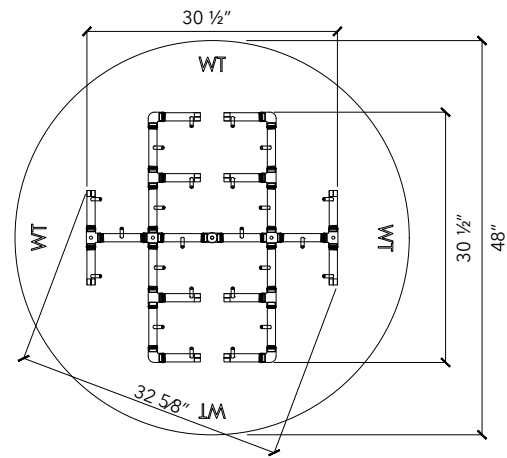
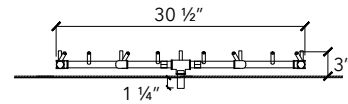
**SKU BREAKDOWN**

**CFB0360NGALPL30CDFLKV34FIT300**

CROSSFIRE Brass Burner Octagonal BTU Gas Plate Size of Shape Flex Line, Key Valve & Fit Kit  
(Burner Type) Type Type or Pan Plate of Plate & Fit Kit



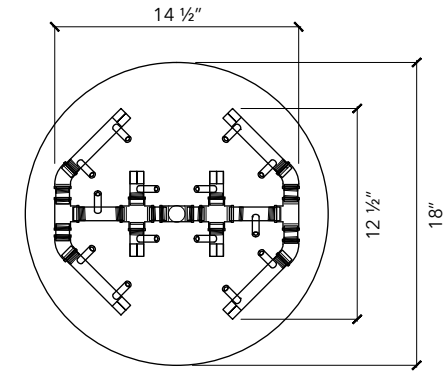
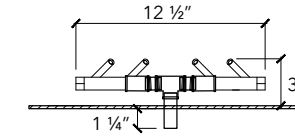
**ORIGINAL CFB350**  
For 48" opening or larger



SKU (NG OR LP)	DESCRIPTION	SHIP WEIGHT	SHIP DIMENSIONS
CFB350NG   CFB350LP	350K BTU Original Brass Burner	23 lbs	33" x 33" x 9"
Recommended parts: Plate: ALPL48C (circle) • Flex Line Kit: DFLKV34FIT300 • Optional 8x Support Collars			
CFB350NGALPL48C CFB350LPALPL48C	with 48" Circular Plate		SHIPS FREIGHT
CFB350NGALPL48CDFLKV34FIT300 CFB350LPALPL48CDFLKV34FIT300	with 48" Circular Plate + 3/4" Dual Flex Line Kit + FIT300		SHIPS FREIGHT
Compatible Ignition Systems: 24 Volt Spark Ignition, 24 Volt Hot Surface Ignition (HC)			



**OCTAGONAL CFBO140**  
For 18" opening or larger

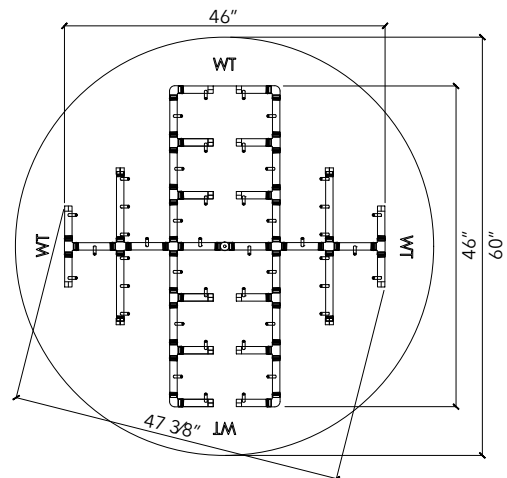
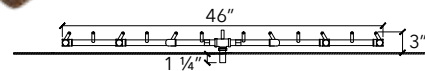


SKU (NG OR LP)	DESCRIPTION	SHIP WEIGHT	SHIP DIMENSIONS
CFBO140NG   CFBO140LP	140K BTU Octagonal Brass Burner	9 lbs	19" x 15" x 5"
Recommended parts: Plate: ALPL18C (circle) • Flex Line Kit: FLKV34FIT180 • Optional 3x Support Collars			
CFBO140NGALPL18C CFBO140LPALPL18C	with 18" Circular Plate	13 lbs	19" x 19" x 7"
CFBO140NGALPL18CDFLKV34FIT180 CFBO140LPALPL18CDFLKV34FIT180	with 18" Circular Plate + 3/4" Flex Line Kit + FIT180	18 lbs	19" x 19" x 7"
Compatible Ignition Systems: Push Button, 24 Volt Spark Ignition, 24 Volt Hot Surface Ignition (SC)			

Images for reference only. Drawings provided within 1" of variance of burner measurements.



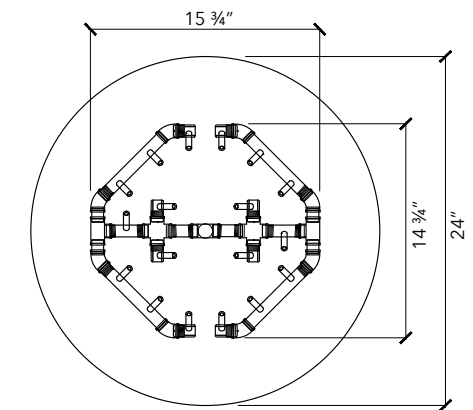
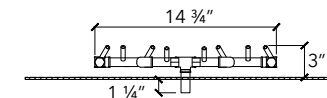
**ORIGINAL CFB450**  
For 60" opening or larger



SKU (NG OR LP)	DESCRIPTION	SHIP WEIGHT	SHIP DIMENSIONS
CFB450NG   CFB450LP	450K BTU Original Brass Burner		SHIPS FREIGHT
Recommended parts: Plate: ALPL60C (circle) • Flex Line Kit: DFLKV34FIT300 • Optional 10x Support Collars			
CFB450NGALPL60C CFB450LPALPL60C	with 60" Circular Plate		SHIPS FREIGHT
CFB450NGALPL60CDFLKV34FIT300 CFB450LPALPL60CDFLKV34FIT300	with 60" Circular Plate + 3/4" Dual Flex Line Kit + FIT300		SHIPS FREIGHT
Compatible Ignition Systems: 24 Volt Spark Ignition, 24 Volt Hot Surface Ignition (HC)			



**OCTAGONAL CFBO180**  
For 24" opening or larger



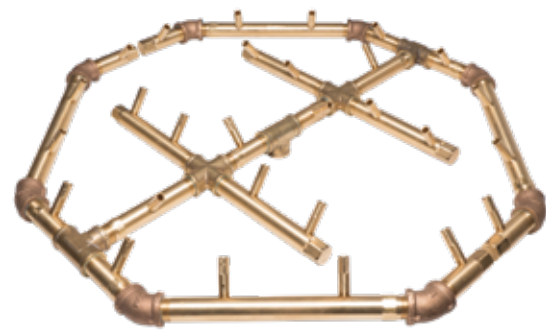
SKU (NG OR LP)	DESCRIPTION	SHIP WEIGHT	SHIP DIMENSIONS
CFBO180NG   CFBO180LP	180K BTU Octagonal Brass Burner	10 lbs	19" x 15" x 5"
Recommended parts: Plate: ALPL24C (circle) • Flex Line Kit: FLKV34FIT180 • Optional 4x Support Collars			
CFBO180NGALPL24C CFBO180LPALPL24C	with 24" Circular Plate	16 lbs	25" x 25" x 7"
CFBO180NGALPL24CDFLKV34FIT180 CFBO180LPALPL24CDFLKV34FIT180	with 24" Circular Plate + 3/4" Flex Line Kit + FIT180	21 lbs	25" x 25" x 7"
Compatible Ignition Systems: Push Button, 24 Volt Spark Ignition, 24 Volt Hot Surface Ignition (SC)			

Images for reference only. Drawings provided within 1" of variance of burner measurements.

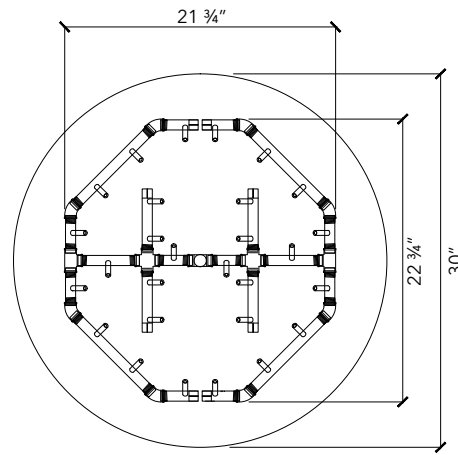
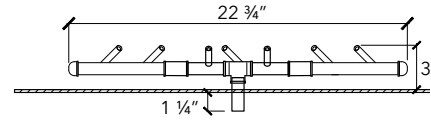
LIGHT IT UP! IGNITION SYSTEMS START ON PAGE 43

**SKU BREAKDOWN**

**CFBO360NGALPL30CDFLKV34FIT300**  
 CROSSFIRE Brass Burner Octagonal BTU Gas Plate Size of Shape Flex Line, Key Valve & Fit Kit  
 (Burner Type) Type Type or Pan Plate of Plate & Fit Kit

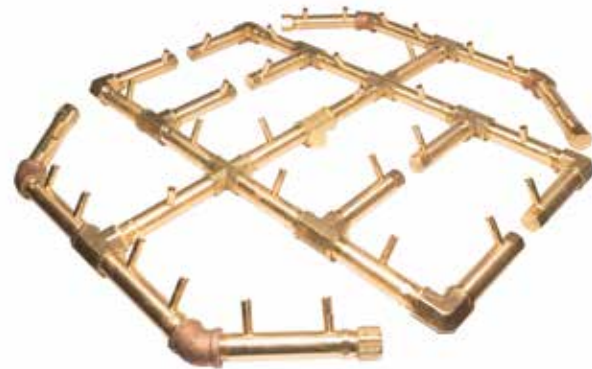


**OCTAGONAL CFBO280**  
For 30" opening or larger

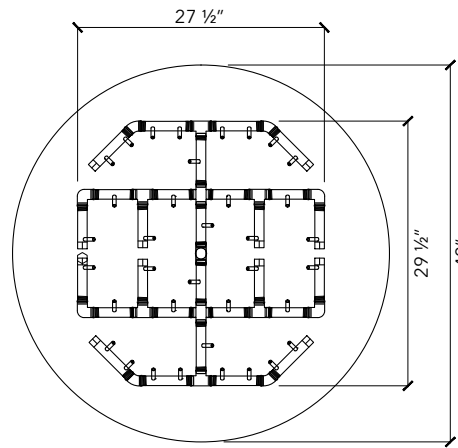
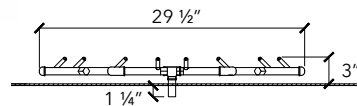


SKU (NG OR LP)	DESCRIPTION	SHIP WEIGHT	SHIP DIMENSIONS
CFBO280NG   CFBO280LP	280K BTU Octagonal Brass Burner	13 lbs	25" x 25" x 7"
Recommended parts: Plate: ALPL30C (circle) • Flex Line Kit: DFLKV34FIT250 • Optional 5x Support Collars			
CFBO280NGALPL30C CFBO280LPALPL30C	with 30" Circular Plate	36 lbs	31" x 31" x 7"
CFBO280NGALPL30CDFLKV34FIT250 CFBO280LPALPL30CDFLKV34FIT250	with 30" Circular Plate + 3/4" Dual Flex Line Kit + FIT250	44 lbs	31" x 31" x 7"
Compatible Ignition Systems: 24 Volt Spark Ignition, 24 Volt Hot Surface Ignition (HC)			

Images for reference only. Drawings provided within 1" of variance of burner measurements.



**OCTAGONAL CFBO360**  
For 42" opening or larger

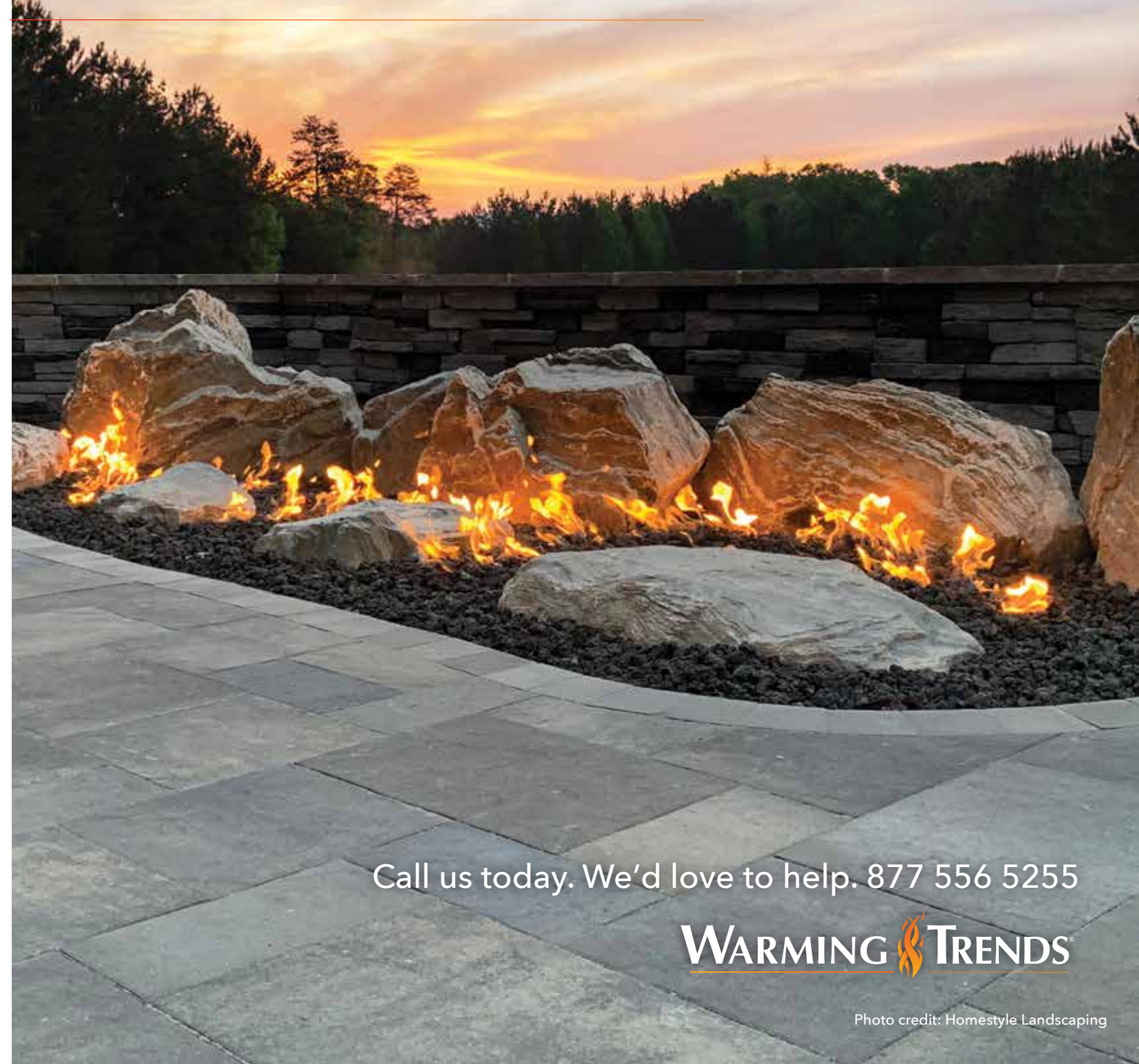


SKU (NG OR LP)	DESCRIPTION	SHIP WEIGHT	SHIP DIMENSIONS
CFB360NG   CFB360LP	360K BTU Octagonal Brass Burner	22 lbs	31" x 31" x 7"
Recommended parts: Plate: ALPL42C (circle) • Flex Line Kit: DFLKV34FIT300 • Optional 7x Support Collars			
CFB360NGALPL42C CFB360LPALPL42C	with 42" Circular Plate		SHIPS FREIGHT
CFB360NGALPL42CDFLKV34FIT300 CFB360LPALPL42CDFLKV34FIT300	with 42" Circular Plate + 3/4" Dual Flex Line Kit + FIT300		SHIPS FREIGHT
Compatible Ignition Systems: 24 Volt Spark Ignition, 24 Volt Hot Surface Ignition (HC)			

Images for reference only. Drawings provided within 1" of variance of burner measurements.

COMPLETE THE FEATURE WITH MEDIA, PAGE 45

Looking for something unique?  
In addition to standard products,  
Warming Trends works with customers  
every day to design and manufacture  
truly custom fire features.  
What can we design for you?



Call us today. We'd love to help. 877 556 5255



Photo credit: Homestyle Landscaping

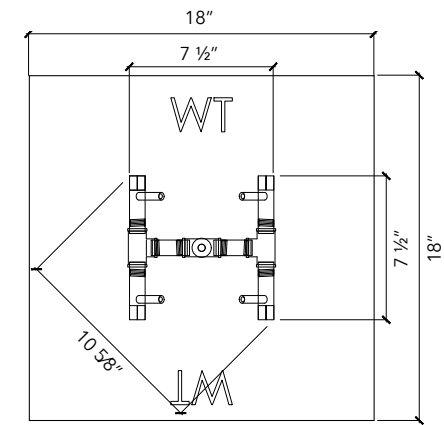
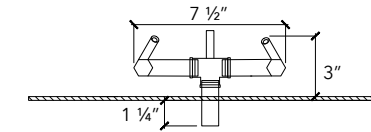
## OPTIONS FOR SQUARE OPENINGS

Designed for standard sized square fire features, these CROSSFIRE® Brass Burners range from 60K to 450K BTUs.

Need a different size or shape? We're happy to help. Call our Flame Consultants at 877 556 5255



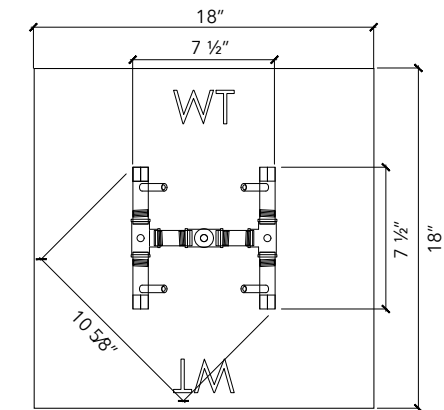
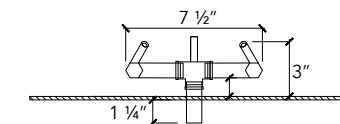
**ORIGINAL CFB60**  
For 18" opening or larger



SKU (NG OR LP)	DESCRIPTION	SHIP WEIGHT	SHIP DIMENSIONS
CFB60NG   CFB60LP	60K BTU Original Brass Burner	4 lbs	11" x 11" x 5"
Recommended parts: Plate: ALPL18S (square) • Flex Line Kit: FLKV12 • Optional 3x Support Collars			
CFB60NGALPL18S CFB60LPALPL18S	with 18" Square Plate	10 lbs	20" x 20" x 6"
CFB60NGALPL18SFLKV12 CFB60LPALPL18SFLKV12	with 18" Square Plate + 1/2" Flex Line Kit	14 lbs	20" x 20" x 6"
Compatible Ignition Systems: Push Button, 3 Volt, 24 Volt Spark Ignition, 24 Volt Hot Surface Ignition (SC)			



**ORIGINAL CFB84**  
For 18" opening or larger



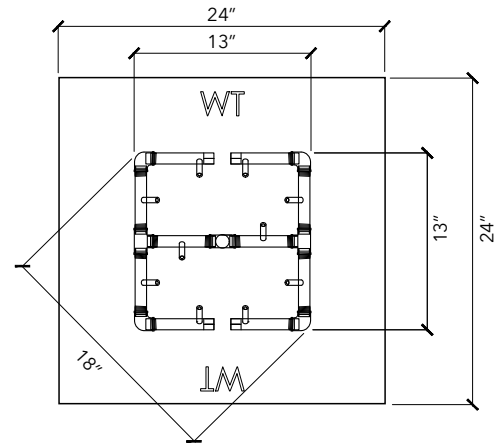
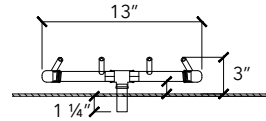
SKU (NG OR LP)	DESCRIPTION	SHIP WEIGHT	SHIP DIMENSIONS
CFB84NG   CFB84LP	84K BTU Original Brass Burner	4 lbs	11" x 11" x 5"
Recommended parts: Plate: ALPL18S (square) • Flex Line Kit: FLKV12 • Optional 3x Support Collars			
CFB84NGALPL18S CFB84LPALPL18S	with 18" Square Plate	10 lbs	21" x 21" x 7"
CFB84NGALPL18SFLKV12 CFB84LPALPL18SFLKV12	with 18" Square Plate + 1/2" Flex Line Kit	14 lbs	21" x 21" x 7"
Compatible Ignition Systems: Push Button, 3 Volt, 24 Volt Spark Ignition, 24 Volt Hot Surface Ignition (SC)			

**SKU BREAKDOWN** **CFB0360NGALPL30CDFLKV34FIT300**  
 CROSSFIRE Brass Burner (Burner Type) | Octagonal BTU Gas Type | Plate Size of Plate | Shape of Plate | Flex Line, Key Valve & Fit Kit





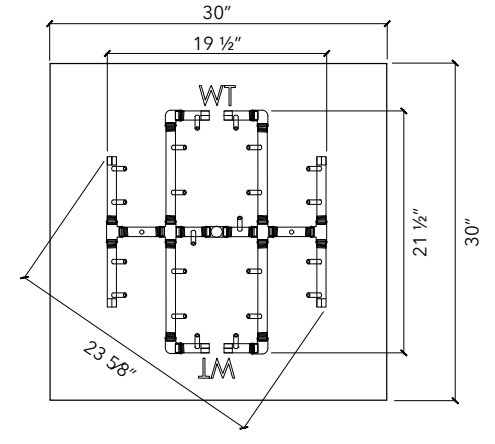
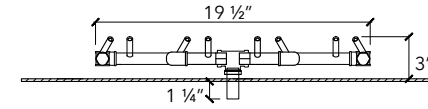
**ORIGINAL CFB120**  
For 24" opening or larger



SKU (NG OR LP)	DESCRIPTION	SHIP WEIGHT	SHIP DIMENSIONS
CFB120NG   CFB120LP	120K BTU Original Brass Burner	8 lbs	15" x 15" x 5"
Recommended parts: Plate: ALPL24S (square) • Flex Line Kit: FLKV12 • Optional 4x Support Collars			
CFB120NGALPL24S CFB120LPALPL24S	with 24" Square Plate	17 lbs	26" x 26" x 6"
CFB120NGALPL24SFLKV12 CFB120LPALPL24SFLKV12	with 24" Square Plate + 1/2" Flex Line Kit	21 lbs	26" x 26" x 6"
Compatible Ignition Systems: Push Button, 3 Volt, 24 Volt Spark Ignition, 24 Volt Hot Surface Ignition (SC)			



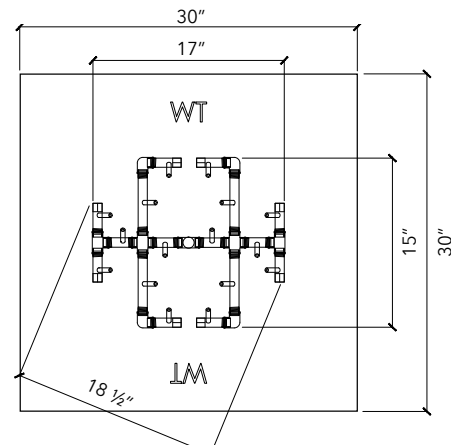
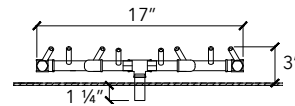
**ORIGINAL CFB240**  
For 30" opening or larger



SKU (NG OR LP)	DESCRIPTION	SHIP WEIGHT	SHIP DIMENSIONS
CFB240NG   CFB240LP	240K BTU Original Brass Burner	12 lbs	23" x 23" x 7"
Recommended parts: Plate: ALPL30S (square) • Flex Line Kit: FLKV34FIT180 • Optional 5x Support Collars			
CFB240NGALPL30S CFB240LPALPL30S	with 30" Square Plate	28 lbs	33" x 33" x 9"
CFB240NGALPL30SFLKV34FIT180 CFB240LPALPL30SFLKV34FIT180	with 30" Square Plate + 3/4" Flex Line Kit + FIT180	33 lbs	33" x 33" x 9"
Compatible Ignition Systems: Push Button, 24 Volt Spark Ignition, 24 Volt Hot Surface Ignition (SC)			



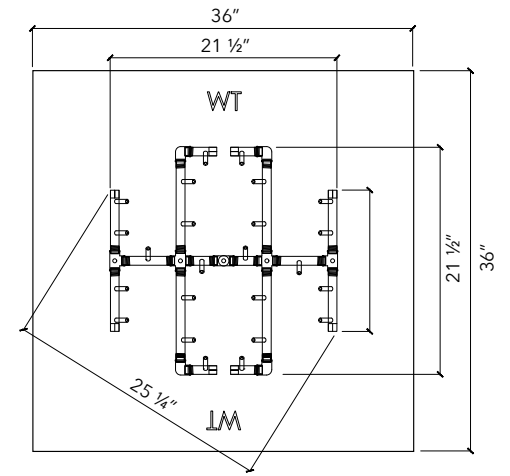
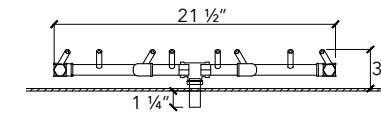
**ORIGINAL CFB180**  
For 30" opening or larger



SKU (NG OR LP)	DESCRIPTION	SHIP WEIGHT	SHIP DIMENSIONS
CFB180NG   CFB180LP	180K BTU Original Brass Burner	9 lbs	19" x 19" x 7"
Recommended parts: Plate: ALPL30S (square) • Flex Line Kit: FLKV34FIT180 • Optional 5x Support Collars			
CFB180NGALPL30S CFB180LPALPL30S	with 30" Square Plate	24 lbs	33" x 33" x 9"
CFB180NGALPL30SFLKV34FIT180 CFB180LPALPL30SFLKV34FIT180	with 30" Square Plate + 3/4" Flex Line Kit + FIT180	28 lbs	33" x 33" x 9"
Compatible Ignition Systems: Push Button, 24 Volt Spark Ignition, 24 Volt Hot Surface Ignition (SC)			



**ORIGINAL CFB290**  
For 36" opening or larger



SKU (NG OR LP)	DESCRIPTION	SHIP WEIGHT	SHIP DIMENSIONS
CFB290NG   CFB290LP	290K BTU Original Brass Burner	12 lbs	23" x 23" x 7"
Recommended parts: Plate: ALPL18S (square) • Flex Line Kit: FLKV34FIT250 • Optional 6x Support Collars			
CFB290NGALPL36S CFB290LPALPL36S	with 36" Square Plate	40 lbs	38" x 38" x 7"
CFB290NGALPL36SFLKV34FIT250 CFB290LPALPL36SFLKV34FIT250	with 36" Square Plate + 3/4" Flex Line Kit + FIT250	44 lbs	38" x 38" x 7"
Compatible Ignition Systems: Push Button, 24 Volt Spark Ignition, 24 Volt Hot Surface Ignition (SC)			

COMPLETE THE FEATURE WITH MEDIA, PAGE 45

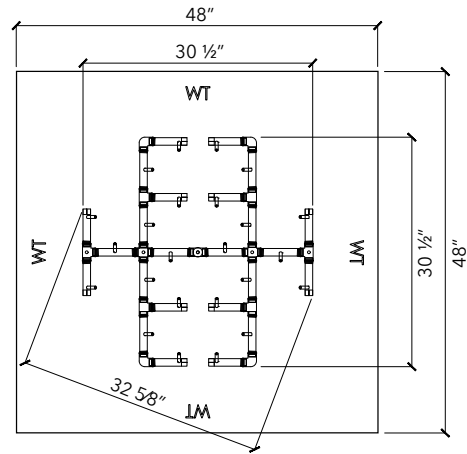
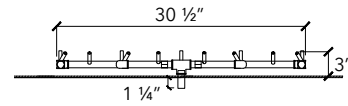
SKU BREAKDOWN

**CFB0360NGALPL30CDFLKV34FIT300**

CROSSFIRE Brass Burner Octagonal BTU Gas Plate Size of Shape Flex Line, Key Valve & Fit Kit  
(Burner Type) Type or Pan Plate of Plate & Fit Kit



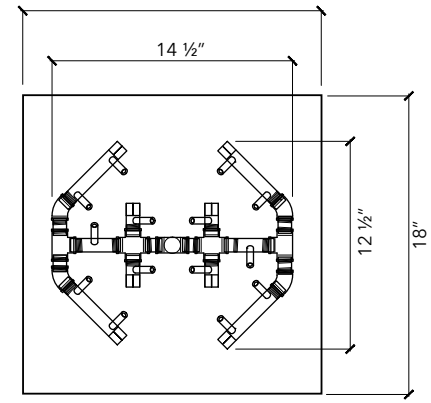
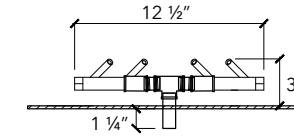
**ORIGINAL CFB350**  
For 48" opening or larger



SKU (NG OR LP)	DESCRIPTION	SHIP WEIGHT	SHIP DIMENSIONS
CFB350NG   CFB350LP	350K BTU Original Brass Burner	23 lbs	33" x 33" x 9"
Recommended parts: Plate: ALPL48S (square) • Flex Line Kit: DFLKV34FIT300 • Optional 8x Support Collars			
CFB350NGALPL48S CFB350LPALPL48S	with 48" Square Plate		SHIPS FREIGHT
CFB350NGALPL48SDFLKV34FIT300 CFB350LPALPL48SDFLKV34FIT300	with 48" Square Plate + 3/4" Dual Flex Line Kit + FIT300		SHIPS FREIGHT
Compatible Ignition Systems: 24 Volt Spark Ignition, 24 Volt Hot Surface Ignition (HC)			



**OCTAGONAL CFBO140**  
For 18" opening or larger

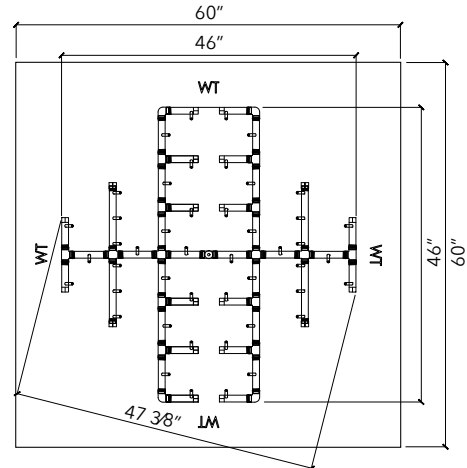
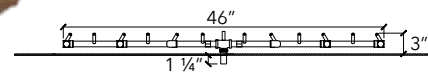


SKU (NG OR LP)	DESCRIPTION	SHIP WEIGHT	SHIP DIMENSIONS
CFBO140NG   CFBO140LP	140K BTU Octagonal Brass Burner	9 lbs	19" x 15" x 5"
Recommended parts: Plate: ALPL18S (square) • Flex Line Kit: FLKV34FIT180 • Optional 3x Support Collars			
CFBO140NGALPL18S CFBO140LPALPL18S	with 18" Square Plate	16 lbs	20" x 20" x 6"
CFBO140NGALPL18SFLKV34FIT180 CFBO140LPALPL18SFLKV34FIT180	with 18" Square Plate + 3/4" Flex Line Kit+ FIT180	21 lbs	20" x 20" x 6"
Compatible Ignition Systems: Push Button, 24 Volt Spark Ignition, 24 Volt Hot Surface Ignition (SC)			

Images for reference only. Drawings provided within 1" of variance of burner measurements.



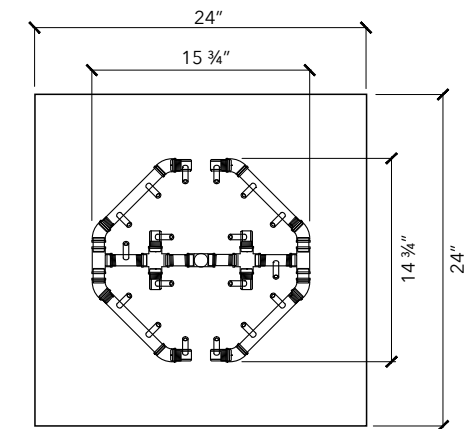
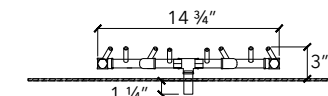
**ORIGINAL CFB450**  
For 60" opening or larger



SKU (NG OR LP)	DESCRIPTION	SHIP WEIGHT	SHIP DIMENSIONS
CFB450NG   CFB450LP	450K BTU Original Brass Burner		SHIPS FREIGHT
Recommended parts: Plate: ALPL60S (square) • Flex Line Kit: DFLKV34FIT300 • Optional 10x Support Collars			
CFB450NGALPL60S CFB450LPALPL60S	with 60" Square Plate		SHIPS FREIGHT
CFB450NGALPL60SDFLKV34FIT300 CFB450LPALPL60SDFLKV34FIT300	with 60" Square Plate + 3/4" Dual Flex Line Kit + FIT300		SHIPS FREIGHT
Compatible Ignition Systems: 24 Volt Spark Ignition, 24 Volt Hot Surface Ignition (HC)			



**OCTAGONAL CFBO180**  
For 24" opening or larger



SKU (NG OR LP)	DESCRIPTION	SHIP WEIGHT	SHIP DIMENSIONS
CFBO180NG   CFBO180LP	180K BTU Octagonal Brass Burner	10 lbs	19" x 15" x 5"
Recommended parts: Plate: ALPL24S (square) • Flex Line Kit: FLKV34FIT180 • Optional 4x Support Collars			
CFBO180NGALPL24S CFBO180LPALPL24S	with 24" Square Plate	20 lbs	26" x 26" x 6"
CFBO180NGALPL24SFLKV34FIT180 CFBO180LPALPL24SFLKV34FIT180	with 24" Square Plate + 3/4" Flex Line Kit+ FIT180	25 lbs	26" x 26" x 6"
Compatible Ignition Systems: Push Button, 24 Volt Spark Ignition, 24 Volt Hot Surface Ignition (SC)			

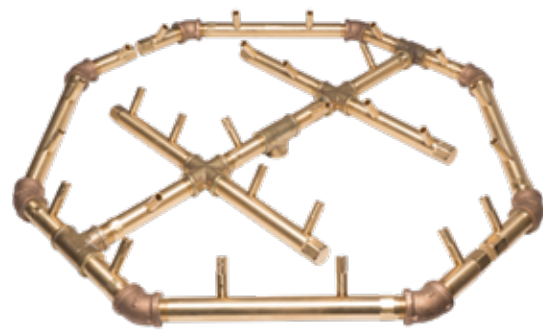
Images for reference only. Drawings provided within 1" of variance of burner measurements.

PAN AND PLATES AVAILABLE ON PAGE 30

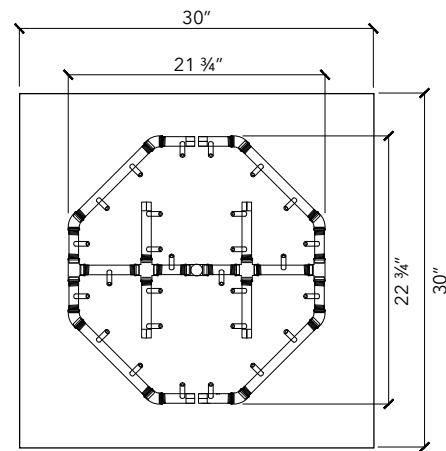
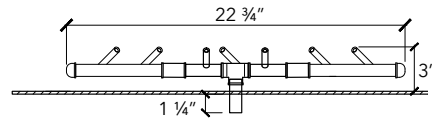
**SKU BREAKDOWN**

**CFBO360NGALPL30CDFLKV34FIT300**

CROSSFIRE Brass Burner Octagonal BTU Gas Plate Size of Shape of Plate Flex Line, Key Valve & Fit Kit

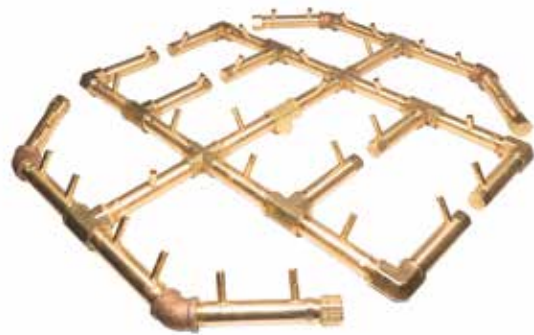


**OCTAGONAL CFBO280**  
For 30" opening or larger

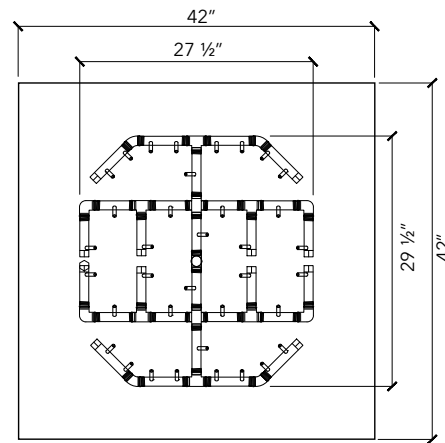
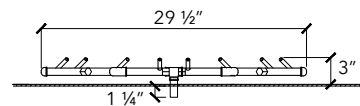


SKU (NG OR LP)	DESCRIPTION	SHIP WEIGHT	SHIP DIMENSIONS
CFBO280NG   CFBO280LP	280K BTU Octagonal Brass Burner	13 lbs	25" x 25" x 7"
Recommended parts: Plate: ALPL30S (square) • Flex Line Kit: DFLKV34FIT250 • Optional 5x Support Collars			
CFBO280NGALPL30S CFBO280LPALPL30S	with 30" Square Plate	27 lbs	32" x 32" x 8"
CFBO280NGALPL30SDFLKV34FIT250 CFBO280LPALPL30SDFLKV34FIT250	with 30" Square Plate + 3/4" Dual Flex Line Kit + FIT250	35 lbs	32" x 32" x 8"
Compatible Ignition Systems: 24 Volt Spark Ignition, 24 Volt Hot Surface Ignition (HC)			

Images for reference only. Drawings provided within 1" of variance of burner measurements.



**OCTAGONAL CFBO360**  
For 42" opening or larger



SKU (NG OR LP)	DESCRIPTION	SHIP WEIGHT	SHIP DIMENSIONS
CFB360NG   CFB360LP	360K BTU Octagonal Brass Burner	22 lbs	31" x 31" x 7"
Recommended parts: Plate: ALPL42S (square) • Flex Line Kit: DFLKV34FIT300 • Optional 7x Support Collars			
CFB360NGALPL42S CFB360LPALPL42S	with 42" Square Plate		SHIPS FREIGHT
CFB360NGALPL42SDFLKV34FIT300 CFB360LPALPL42SDFLKV34FIT300	with 42" Square Plate + 3/4" Dual Flex Line Kit + FIT300		SHIPS FREIGHT
Compatible Ignition Systems: 24 Volt Spark Ignition, 24 Volt Hot Surface Ignition (HC)			

Images for reference only. Drawings provided within 1" of variance of burner measurements.

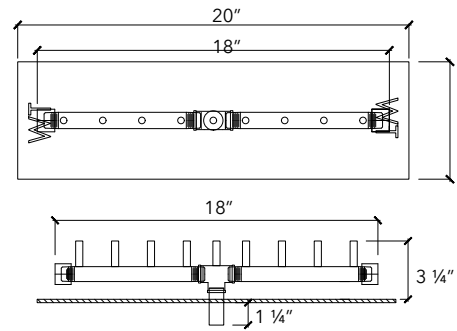
**LIGHT IT UP! IGNITION SYSTEMS START ON PAGE 43**



**OPTIONS FOR  
RECTANGULAR  
OPENINGS**

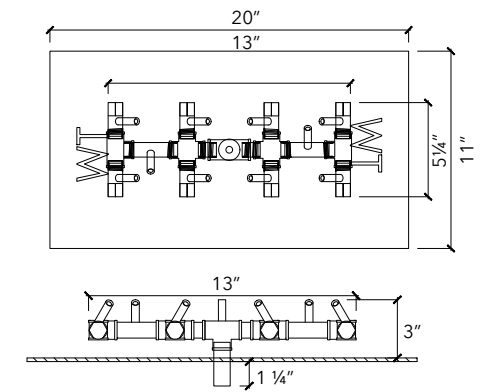
Designed for standard sized rectangular fire features, these CROSSFIRE® Brass Burners range from 90K to 480K BTUs.

Need a different size or shape? We're happy to help. Call our Flame Consultants at 877 556 5255



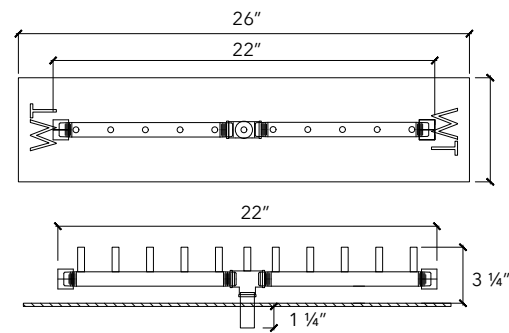
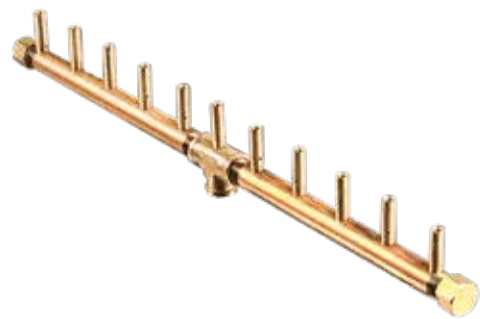
**LINEAR CFBL90**  
For 20" x 6" opening or larger

SKU (NG OR LP)	DESCRIPTION	SHIP WEIGHT	SHIP DIMENSIONS
CFBL90NG   CFBL90LP	90K BTU Linear Brass Burner	4 lbs	25" x 5" x 5"
Recommended parts: Plate: ALPL206 • Flex Line Kit: FLKV12 • Optional 3x Support Collars			
CFBL90NGALPL206 CFBL90LPALPL206	with 20" x 6" Rectangle Plate	7 lbs	25" x 9" x 7"
CFBL90NGALPL206FLKV12 CFBL90LPALPL206FLKV12	with 20" x 6" Plate + 1/2" Flex Line Kit	11 lbs	25" x 9" x 7"
Compatible Ignition Systems: Push Button, 3 Volt, 24 Volt Spark Ignition, 24 Volt Hot Surface Ignition (SC)			



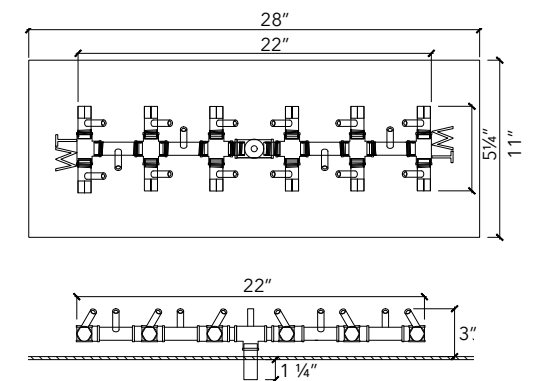
**TREE-STYLE CFBT110**  
For 20" x 11" opening or larger

SKU (NG OR LP)	DESCRIPTION	SHIP WEIGHT	SHIP DIMENSIONS
CFBT110NG   CFBT110LP	110K BTU Tree-Style Brass Burner	6 lbs	15" x 15" x 5"
Recommended parts: Plate: ALPL2011 • Flex Line Kit: FLKV12 • Optional 3x Support Collars			
CFBT110NGALPL2011 CFBT110LPALPL2011	with 20" x 11" Rectangle Plate	12 lbs	21" x 21" x 7"
CFBT110NGALPL2011FLKV12 CFBT110LPALPL2011FLKV12	with 20" x 11" Plate + 1/2" Flex Line Kit	16 lbs	21" x 21" x 7"
Compatible Ignition Systems: Push Button, 3 Volt, 24 Volt Spark Ignition, 24 Volt Hot Surface Ignition (SC)			



**LINEAR CFBL110**  
For 26" x 6" opening or larger

SKU (NG OR LP)	DESCRIPTION	SHIP WEIGHT	SHIP DIMENSIONS
CFBL110NG   CFBL110LP	110K BTU Linear Brass Burner	5 lbs	25" x 5" x 5"
Recommended parts: Plate: ALPL266 • Flex Line Kit: FLKV12 • Optional 3x Support Collars			
CFBL110NGALPL266 CFBL110LPALPL266	with 26" x 6" Rectangle Plate	10 lbs	31" x 7" x 7"
CFBL110NGALPL266FLKV12 CFBL110LPALPL266FLKV12	with 26" x 6" Plate + 1/2" Flex Line Kit	15 lbs	31" x 7" x 7"
Compatible Ignition Systems: Push Button, 3 Volt, 24 Volt Spark Ignition, 24 Volt Hot Surface Ignition (SC)			

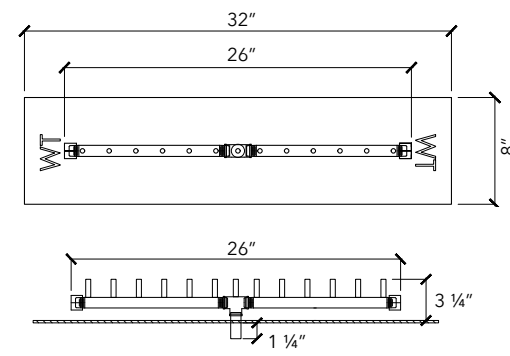
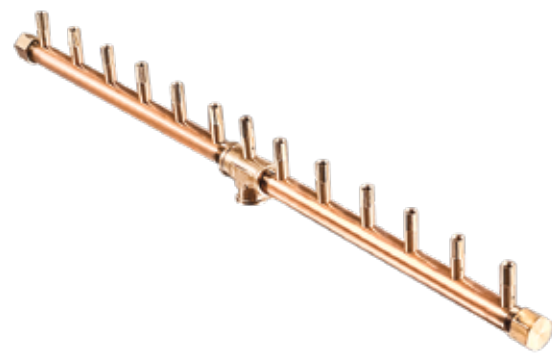


**TREE-STYLE CFBT170**  
For 28" x 11" opening or larger

SKU (NG OR LP)	DESCRIPTION	SHIP WEIGHT	SHIP DIMENSIONS
CFBT170NG   CFBT170LP	170K BTU Tree-Style Brass Burner	8 lbs	25" x 9" x 7"
Recommended parts: Plate: ALPL2811 • Flex Line Kit: FLKV34FIT180 • Optional 4x Support Collars			
CFBT170NGALPL2811 CFBT170LPALPL2811	with 28" x 11" Rectangle Plate	16 lbs	37" x 13" x 13"
CFBT170NGALPL2811FLKV34FIT180 CFBT170LPALPL2811FLKV34FIT180	with 28" x 11" Plate + 3/4" Flex Line Kit + FIT180	20 lbs	37" x 13" x 13"
Compatible Ignition Systems: Push Button, 24 Volt Spark Ignition, 24 Volt Hot Surface Ignition (SC)			

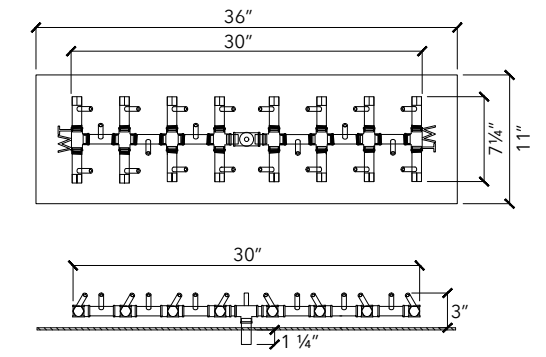
COMPLETE THE FEATURE WITH MEDIA, PAGE 45

**SKU BREAKDOWN** **CFB0360NGALPL30CDFLKV34FIT300**  
 CROSSFIRE Brass Burner | Octagonal BTU Gas Plate Size of Shape of Plate | Flex Line, Key Valve & Fit Kit



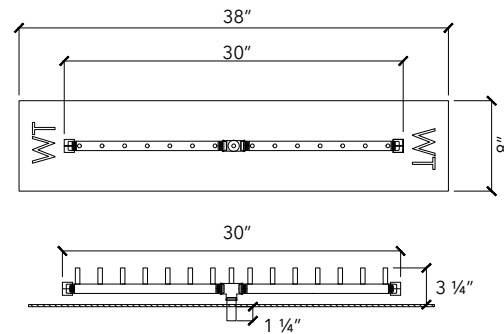
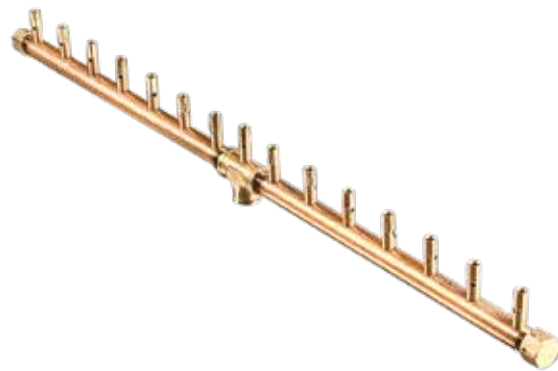
**LINEAR CFBL130**  
For 32" x 8" opening or larger

SKU (NG OR LP)	DESCRIPTION	SHIP WEIGHT	SHIP DIMENSIONS
CFBL130NG   CFBL130LP	130K BTU Linear Brass Burner	5 lbs	37" x 5" x 5"
Recommended parts: Plate: ALPL328 • Flex Line Kit: FLKV34FIT180 • Optional 4x Support Collars			
CFBL130NGALPL328 CFBL130LPALPL328	with 32" x 8" Rectangle Plate	11 lbs	37" x 13" x 13"
CFBL130NGALPL328FLKV34FIT180 CFBL130LPALPL328FLKV34FIT180	with 32" x 8" Plate + 3/4" Flex Line Kit + FIT180	14 lbs	37" x 13" x 13"
Compatible Ignition Systems: Push Button, 24 Volt Spark Ignition, 24 Volt Hot Surface Ignition (SC)			



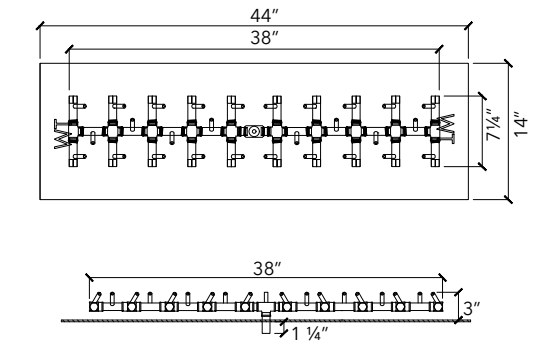
**TREE-STYLE CFBT230**  
For 36" x 11" opening or larger

SKU (NG OR LP)	DESCRIPTION	SHIP WEIGHT	SHIP DIMENSIONS
CFBT230NG   CFBT230LP	230K BTU Tree-Style Brass Burner	10 lbs	37" x 13" x 13"
Recommended parts: Plate: ALPL3611 • Flex Line Kit: FLKV34FIT180 • Optional 5x Support Collars			
CFBT230NGALPL3611 CFBT230LPALPL3611	with 36" x 11" Rectangle Plate	19 lbs	37" x 13" x 13"
CFBT230NGALPL3611FLKV34FIT180 CFBT230LPALPL3611FLKV34FIT180	with 36" x 11" Plate + 3/4" Flex Line Kit + FIT180	24 lbs	37" x 13" x 13"
Compatible Ignition Systems: Push Button, 24 Volt Spark Ignition, 24 Volt Hot Surface Ignition (SC)			



**LINEAR CFBL150**  
For 38" x 8" opening or larger

SKU (NG OR LP)	DESCRIPTION	SHIP WEIGHT	SHIP DIMENSIONS
CFBL150NG   CFBL150LP	150K BTU Linear Brass Burner	5 lbs	37" x 5" x 5"
Recommended parts: Plate: ALPL388 • Flex Line Kit: FLKV34FIT180 • Optional 4x Support Collars			
CFBL150NGALPL388 CFBL150LPALPL388	with 38" x 8" Rectangle Plate	14 lbs	41" x 9" x 9"
CFBL150NGALPL388FLKV34FIT180 CFBL150LPALPL388FLKV34FIT180	with 38" x 8" Plate + 3/4" Flex Line Kit + FIT180	19 lbs	41" x 9" x 9"
Compatible Ignition Systems: Push Button, 24 Volt Spark Ignition, 24 Volt Hot Surface Ignition (SC)			



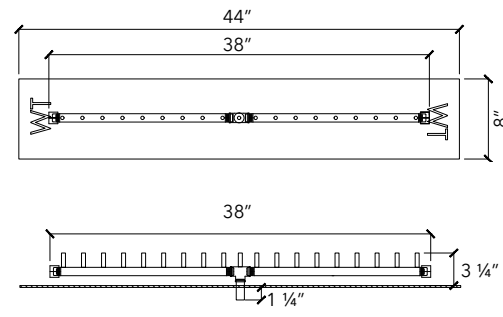
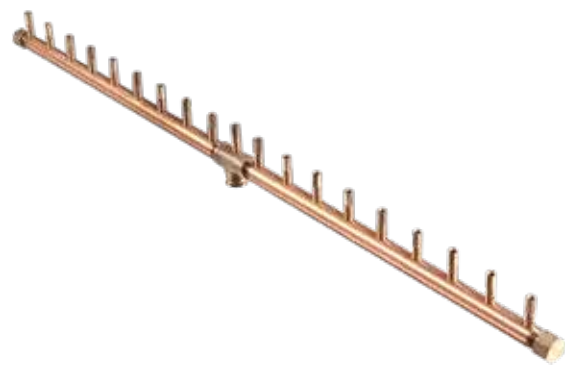
**TREE-STYLE CFBT290**  
For 44" x 14" opening or larger

SKU (NG OR LP)	DESCRIPTION	SHIP WEIGHT	SHIP DIMENSIONS
CFBT290NG   CFBT290LP	290K BTU Tree-Style Brass Burner	12 lbs	49" x 9" x 9"
Recommended parts: Plate: ALPL4414 • Flex Line Kit: DFLKV34FIT250 • Optional 5x Support Collars			
CFBT290NGALPL4414 CFBT290LPALPL4414	with 44" x 14" Rectangle Plate	30 lbs	49" x 17" x 17"
CFBT290NGALPL4414DFLKV34FIT250 CFBT290LPALPL4414DFLKV34FIT250	with 44" x 14" Plate + 3/4" Dual Flex Line Kit + FIT250	36 lbs	49" x 17" x 17"
Compatible Ignition Systems: Push Button, 24 Volt Spark Ignition, 24 Volt Hot Surface Ignition (SC)			

PAN AND PLATES AVAILABLE ON PAGE 30

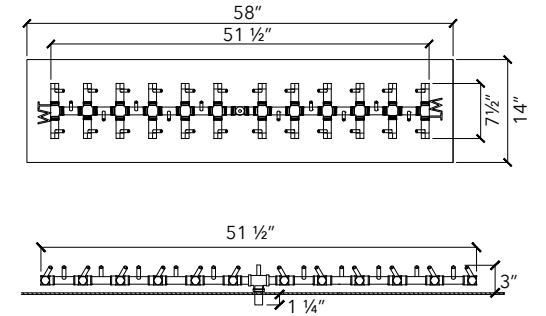
**SKU BREAKDOWN**

**C F B O 3 6 0 N G A L P L 3 0 C D F L K V 3 4 F I T 3 0 0**  
 CROSSFIRE Brass Burner Octagonal BTU Gas Plate Size of Shape Flex Line, Key Valve & Fit Kit  
 (Burner Type) Type Type or Pan Plate of Plate & Fit Kit



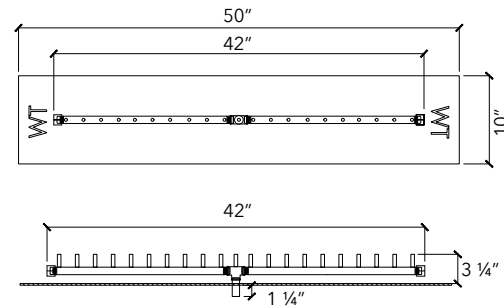
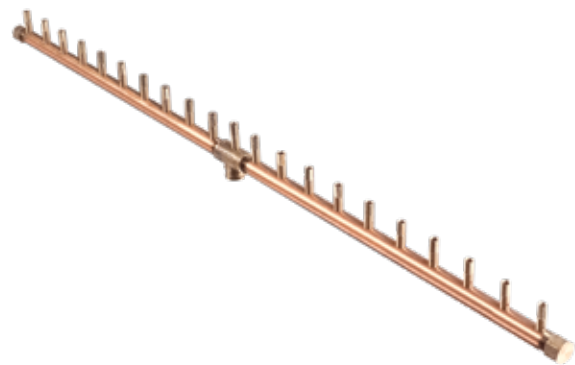
**LINEAR CFBL190**  
For 44" x 8" opening or larger

SKU (NG OR LP)	DESCRIPTION	SHIP WEIGHT	SHIP DIMENSIONS
CFBL190NG   CFBL190LP	190K BTU Linear Brass Burner	6 lbs	49" x 5" x 5"
Recommended parts: Plate: ALPL448 • Flex Line Kit: FLKV34FIT180 • Optional 5x Support Collars			
CFBL190NGALPL448 CFBL190LPALPL448	with 44" x 8" Rectangle Plate	17 lbs	49" x 9" x 9"
CFBL190NGALPL448FLKV34FIT180 CFBL190LPALPL448FLKV34FIT180	with 44" x 8" Plate + 3/4" Flex Line Kit + FIT180	22 lbs	49" x 9" x 9"
Compatible Ignition Systems: Push Button, 24 Volt Spark Ignition, 24 Volt Hot Surface Ignition (SC)			



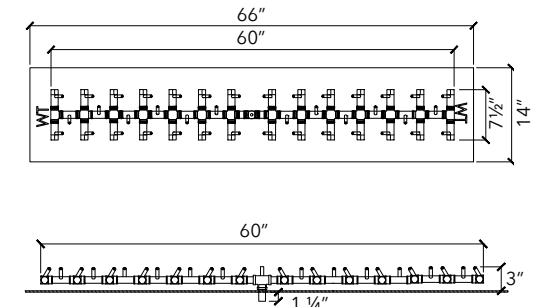
**TREE-STYLE CFBT350**  
For 58" x 14" opening or larger

SKU (NG OR LP)	DESCRIPTION	SHIP WEIGHT	SHIP DIMENSIONS
CFBT350NG   CFBT350LP	350K BTU Tree-Style Brass Burner	20 lbs	61" x 9" x 9"
Recommended parts: Plate: ALPL5814 • Flex Line Kit: DFLKV34FIT300 • Optional 7x Support Collars			
CFBT350NGALPL5814 CFBT350LPALPL5814	with 58" x 14" Rectangle Plate	SHIPS FREIGHT	
CFBT350NGALPL5814DFLKV34FIT300 CFBT350LPALPL5814DFLKV34FIT300	with 58" x 14" Plate + 3/4" Dual Flex Line Kit + FIT300	SHIPS FREIGHT	
Compatible Ignition Systems: 24 Volt Hot Surface Ignition (HC)			



**LINEAR CFBL210**  
For 50" x 10" opening or larger

SKU (NG OR LP)	DESCRIPTION	SHIP WEIGHT	SHIP DIMENSIONS
CFBL210NG   CFBL210LP	210K BTU Linear Brass Burner	7 lbs	49" x 5" x 5"
Recommended parts: Plate: ALPL5010 • Flex Line Kit: FLKV34FIT180 • Optional 6x Support Collars			
CFBL210NGALPL5010 CFBL210LPALPL5010	with 50" x 10" Rectangle Plate	23 lbs	61" x 9" x 9"
CFBL210NGALPL5010FLKV34FIT180 CFBL210LPALPL5010FLKV34FIT180	with 50" x 10" Plate + 3/4" Flex Line Kit + FIT180	28 lbs	61" x 9" x 9"
Compatible Ignition Systems: Push Button, 24 Volt Spark Ignition, 24 Volt Hot Surface Ignition (SC)			

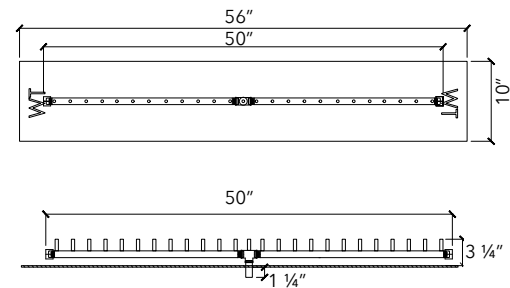
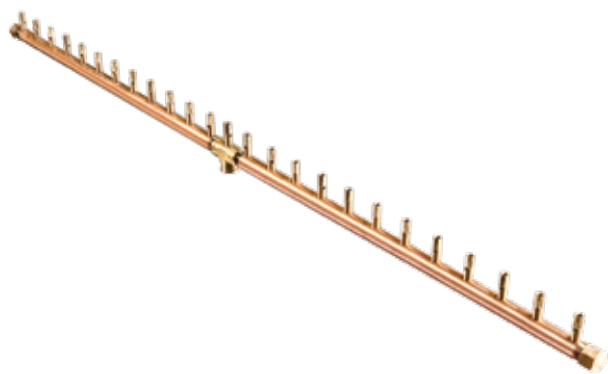


**TREE-STYLE CFBT410**  
For 66" x 14" opening or larger

SKU (NG OR LP)	DESCRIPTION	SHIP WEIGHT	SHIP DIMENSIONS
CFBT410NG   CFBT410LP	410K BTU Tree-Style Brass Burner	20 lbs	61" x 61" x 9"
Recommended parts: Plate: ALPL6614 • Flex Line Kit: FLKV34FIT180 • Optional 8x Support Collars			
CFBT410NGALPL6614 CFBT410LPALPL6614	with 66" x 14" Rectangle Plate	SHIPS FREIGHT	
CFBT410NGALPL6614DFLKV34FIT300 CFBT410LPALPL6614DFLKV34FIT300	with 66" x 14" Plate + 3/4" Dual Flex Line Kit + FIT300	SHIPS FREIGHT	
Compatible Ignition Systems: 24 Volt Hot Surface Ignition (HC)			

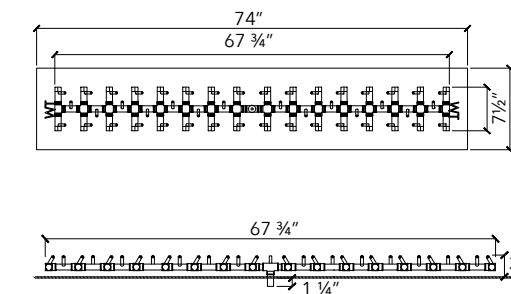
LIGHT IT UP! IGNITION SYSTEMS START ON PAGE 43

**SKU BREAKDOWN** **CFBO360NGALPL30CDFLKV34FIT300**  
 CROSSFIRE Brass Burner (Burner Type) | Octagonal BTU Gas Type | Plate Size or Pan | Shape of Plate | Flex Line, Key Valve & Fit Kit



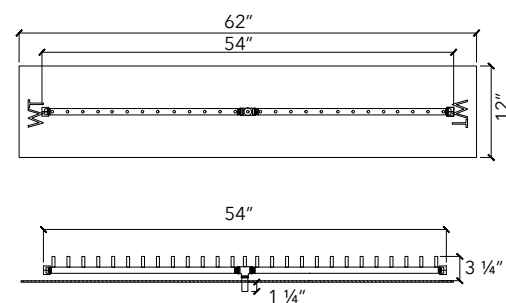
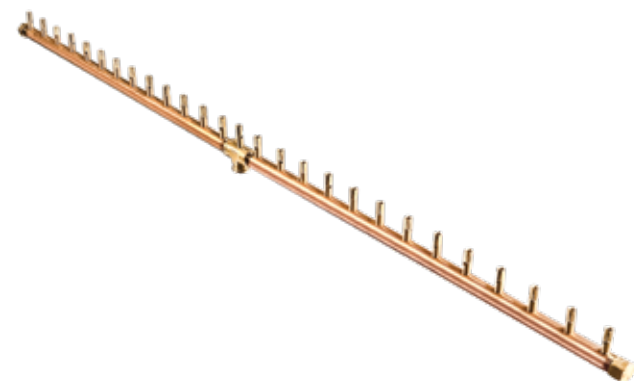
**LINEAR CFBL250**  
For 56" x 10" opening or larger

SKU (NG OR LP)	DESCRIPTION	SHIP WEIGHT	SHIP DIMENSIONS
CFBL250NG   CFBL250LP	250K BTU Linear Brass Burner	7 lbs	61" x 5" x 5"
Recommended parts: Plate: ALPL5610 • Flex Line Kit: DFLKV34FIT240 • Optional 7x Support Collars			
CFBL250NGALPL5610 CFBL250LPALPL5610	with 56" x 10" Rectangle Plate	70 lbs	61" x 9" x 9"
CFBL250NGALPL5610DFLKV34FIT250 CFBL250LPALPL5610DFLKV34FIT250	with 56" x 10" Plate + 3/4" Dual Flex Line Kit + FIT250	75 lbs	61" x 9" x 9"
Compatible Ignition Systems: Push Button, 24 Volt Spark Ignition, 24 Volt Hot Surface Ignition (SC)			



**TREE-STYLE CFBT470**  
For 74" x 14" opening or larger

SKU (NG OR LP)	DESCRIPTION	SHIP WEIGHT	SHIP DIMENSIONS
CFBT470NG   CFBT470LP	470K BTU Tree-Style Brass Burner		SHIPS FREIGHT
Recommended parts: Plate: ALPL7414 • Flex Line Kit: DFLKV34FIT300 • Optional 9x Support Collars			
CFBT470NGALPL7414 CFBT470LPALPL7414	with 74" x 14" Rectangle Plate		SHIPS FREIGHT
CFBT470NGALPL7414DFLKV34FIT300 CFBT470LPALPL7414DFLKV34FIT300	with 74" x 14" Plate + 3/4" Dual Flex Line Kit + FIT300		SHIPS FREIGHT
Compatible Ignition Systems: 24 Volt Hot Surface Ignition (HC)			



**LINEAR CFBL270**  
For 62" x 12" opening or larger

SKU (NG OR LP)	DESCRIPTION	SHIP WEIGHT	SHIP DIMENSIONS
CFBL270NG   CFBL270LP	270K BTU Linear Brass Burner	8 lbs	61" x 5" x 5"
Recommended parts: Plate: ALPL6212 • Flex Line Kit: DFLKV34FIT240 • Optional 8x Support Collars			
CFBL270NGALPL6212 CFBL270LPALPL6212	with 62" x 12" Rectangle Plate		SHIPS FREIGHT
CFBL270NGALPL6212DFLKV34FIT250 CFBL270LPALPL6212DFLKV34FIT250	with 62" x 12" Plate + 3/4" Dual Flex Line Kit + FIT250		SHIPS FREIGHT
Compatible Ignition Systems: Push Button, 24 Volt Spark Ignition, 24 Volt Hot Surface Ignition (SC)			

**SKU BREAKDOWN** **CFBO360NGALPL30CDFLKV34FIT300**

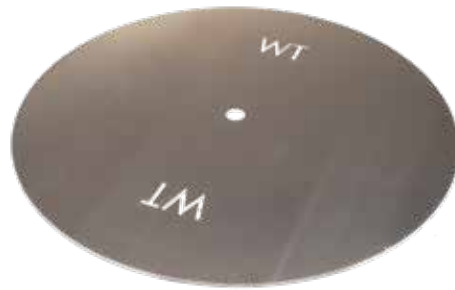
CROSSFIRE Brass Burner    Octagonal BTU Gas Plate Size of Shape Flex Line, Key Valve & Fit Kit  
(Burner Type)    Type    or Pan Plate    of Plate    & Fit Kit

# PLATES & PANS



Cut from aluminum using state-of-the-art water jet technology, Warming Trends plates and pans are corrosion resistant and include drainage vents.

## CIRCULAR PLATES and PANS



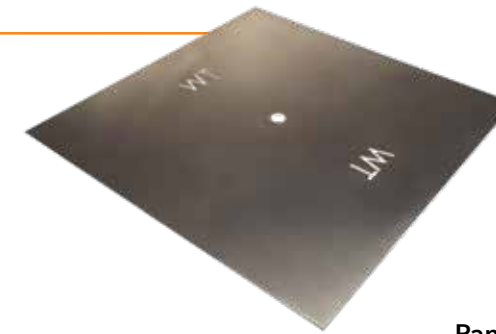
### Plates

SKU	DESCRIPTION	SHIP WEIGHT + DIMENSIONS	
ALPL18C	18" Circular	6 lbs	19" x 19" x 7"
ALPL24C	24" Circular	8 lbs	25" x 25" x 7"
ALPL30C	30" Circular	11 lbs	31" x 31" x 7"
ALPL36C	36" Circular	16 lbs	37" x 37" x 9"
ALPL42C	42" Circular	SHIPS FREIGHT	
ALPL48C	48" Circular	SHIPS FREIGHT	
ALPL60C	60" Circular	SHIPS FREIGHT	
ALPL12-17C	12" - 17" Circular	5 lbs	19" x 19" x 7"
ALPL19-23C	19" - 23" Circular	8 lbs	25" x 25" x 7"
ALPL25-29C	25" - 29" Circular	11 lbs	31" x 31" x 7"
ALPL31-35C	31" - 35" Circular	15 lbs	37" x 37" x 9"
ALPL37-41C	37" - 41" Circular	SHIPS FREIGHT	
ALPL43-47C	43" - 47" Circular	SHIPS FREIGHT	
ALPL49-59C	49" - 49" Circular	SHIPS FREIGHT	
ALPL61-66C	61" - 66" Circular	SHIPS FREIGHT	
ALPL67-72C	67" - 72" Circular	SHIPS FREIGHT	
ALPL73-80C	73" - 80" Circular	SHIPS FREIGHT	

### Pans (Pans include 2" welded sidewall)

SKU	DESCRIPTION	SHIP WEIGHT + DIMENSIONS	
ALPAN18C	18" Circular	7 lbs	19" x 19" x 7"
ALPAN24C	24" Circular	9 lbs	25" x 25" x 7"
ALPAN30C	30" Circular	12 lbs	31" x 31" x 7"
ALPAN36C	36" Circular	17 lbs	37" x 37" x 9"
ALPAN42C	42" Circular	SHIPS FREIGHT	
ALPAN48C	48" Circular	SHIPS FREIGHT	
ALPAN60C	60" Circular	SHIPS FREIGHT	
ALPAN12-17C	12" - 17" Circular	6 lbs	19" x 19" x 7"
ALPAN19-23C	19" - 23" Circular	9 lbs	25" x 25" x 7"
ALPAN25-29C	25" - 29" Circular	12 lbs	31" x 31" x 7"
ALPAN31-35C	31" - 35" Circular	16 lbs	37" x 37" x 9"
ALPAN37-41C	37" - 41" Circular	SHIPS FREIGHT	
ALPAN43-47C	43" - 47" Circular	SHIPS FREIGHT	
ALPAN49-59C	49" - 59" Circular	SHIPS FREIGHT	

## SQUARE PLATES and PANS



### Plates

SKU	DESCRIPTION	SHIP WEIGHT + DIMENSIONS	
ALPL18S	18" Square	7 lbs	21" x 21" x 7"
ALPL24S	24" Square	10 lbs	27" x 27" x 7"
ALPL30S	30" Square	14 lbs	33" x 33" x 9"
ALPL36S	36" Square	19 lbs	39" x 39" x 7"
ALPL42S	42" Square	SHIPS FREIGHT	
ALPL48S	48" Square	SHIPS FREIGHT	
ALPL60S	60" Square	SHIPS FREIGHT	
ALPL12-17S	12" - 17" Square	6 lbs	19" x 19" x 7"
ALPL19-23S	19" - 23" Square	9 lbs	25" x 25" x 7"
ALPL25-29S	25" - 29" Square	13 lbs	31" x 31" x 7"
ALPL31-35S	31" - 35" Square	18 lbs	37" x 37" x 9"
ALPL37-41S	37" - 41" Square	SHIPS FREIGHT	
ALPL43-47S	43" - 47" Square	SHIPS FREIGHT	
ALPL49-59S	49" - 59" Square	SHIPS FREIGHT	
ALPL61-66S	61" - 66" Square	SHIPS FREIGHT	
ALPL67-72S	67" - 72" Square	SHIPS FREIGHT	
ALPL73-80S	73" - 80" Square	SHIPS FREIGHT	

### Pans (Pans include 2" welded sidewall)

SKU	DESCRIPTION	SHIP WEIGHT + DIMENSIONS	
ALPAN18S	18" Square	8 lbs	21" x 21" x 7"
ALPAN24S	24" Square	11 lbs	27" x 27" x 7"
ALPAN30S	30" Square	15 lbs	33" x 33" x 9"
ALPAN36S	36" Square	20 lbs	39" x 39" x 7"
ALPAN42S	42" Square	SHIPS FREIGHT	
ALPAN48S	48" Square	SHIPS FREIGHT	
ALPAN60S	60" Square	SHIPS FREIGHT	
ALPAN12-17S	12" - 17" Square	7 lbs	19" x 19" x 7"
ALPAN19-23S	19" - 23" Square	10 lbs	25" x 25" x 7"
ALPAN25-29S	25" - 29" Square	14 lbs	31" x 31" x 7"
ALPAN31-35S	31" - 35" Square	19 lbs	37" x 37" x 9"
ALPAN37-41S	37" - 41" Square	SHIPS FREIGHT	
ALPAN43-47S	43" - 47" Square	SHIPS FREIGHT	
ALPAN49-59S	49" - 59" Square	SHIPS FREIGHT	





## READY-TO-FINISH KITS

Aluminum frames covered with concrete board, ready to be easily and quickly completed with your choice of media or veneer.

Simply place on site, connect to the gas supply, add stone or other veneer and your fire feature is complete.

Need a different size or shape? We're happy to help. Call our Flame Consultants at 877 556 5255

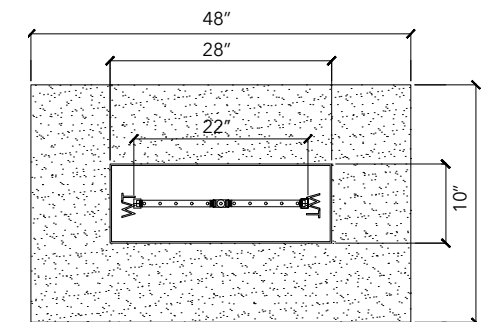
## RECTANGULAR LINEAR READY-TO-FINISH KITS

### TECH TIP

Ready-to-Finish Kits come with a Fire Pit Vent Kit (FPVK) but they do not come pre-installed as placement and installation depends on veneer. Vents are to be installed by contractor on site.



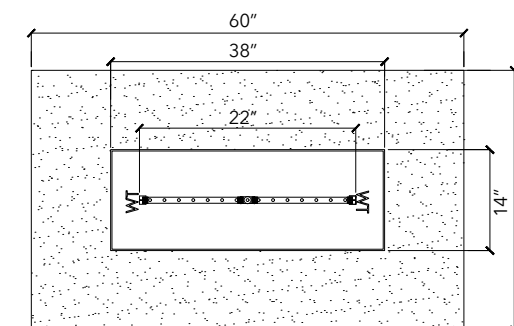
FR6036 shown



### FR4830NG | FR4830LP

48" L x 30" W x 18" H Aluminum Frame with Concrete Board Attached  
 CFBL110 22" Linear Brass Burner  
 28" x 10" Aluminum Pan with 2" Sidewalls  
 Fire Pit Vent Kit  
 1/2" Flex Line Kit  
 Key Valve Extension  
 Ignition systems available: Push Button, 3 Volt, 24 Volt Spark Ignition, 24 Volt Hot Surface Ignition (SC)

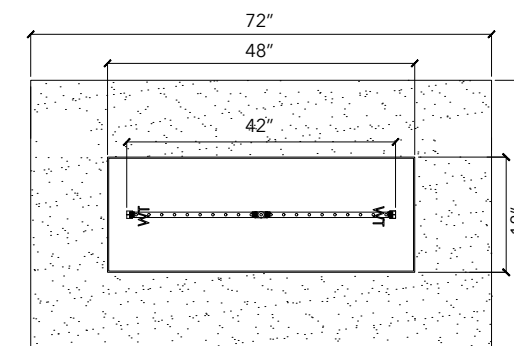
SHIPS FREIGHT



### FR6036NG | FR6036LP

60" L x 36" W x 18" H Aluminum Frame with Concrete Board Attached  
 CFBL150 30" Linear Brass Burner  
 38" x 14" Aluminum Pan with 2" Sidewalls  
 Fire Pit Vent Kit  
 3/4" Flex Line Kit  
 FIT180  
 Key Valve Extension  
 Ignition systems available: Push Button, 24 Volt Spark Ignition, 24 Volt Hot Surface Ignition (SC)

SHIPS FREIGHT



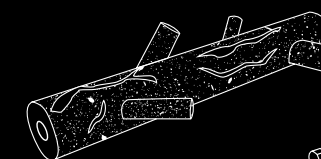
### FR7242NG | FR7242LP

72" L x 42" W x 18" H Aluminum Frame with Concrete Board Attached  
 CFBL210 40" Linear Brass Burner  
 48" x 18" Aluminum Pan with 2" Sidewalls  
 Fire Pit Vent Kit  
 3/4" Flex Line Kit  
 FIT180  
 Key Valve Extension  
 Ignition systems available: Push Button, 24 Volt Spark Ignition, 24 Volt Hot Surface Ignition (SC)

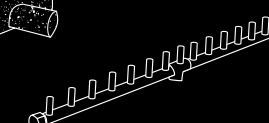
SHIPS FREIGHT

### FIRESTORM™ STEEL LOG

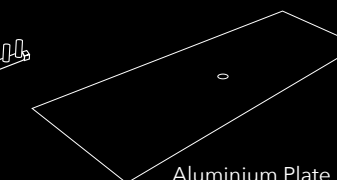
Handcrafted, one-of-a-kind steel gas log features an integrated burner and is sized perfectly for the FR6036.



Handcrafted Steel Log



CFBL150



Aluminium Plate



See page 46 for more information or call us at 877 556 5255

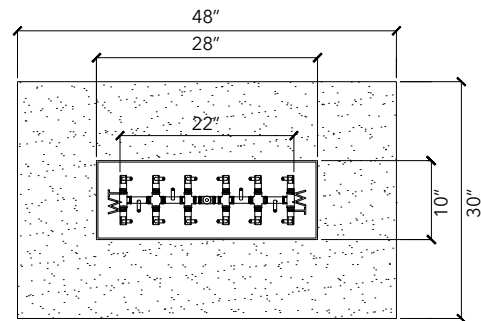
## RECTANGULAR TREE- STYLE READY-TO-FINISH KITS

### SKU BREAKDOWN

**FRT7242NG**  
 Style of Ready-to-Finish Kit | Size | Gas Type



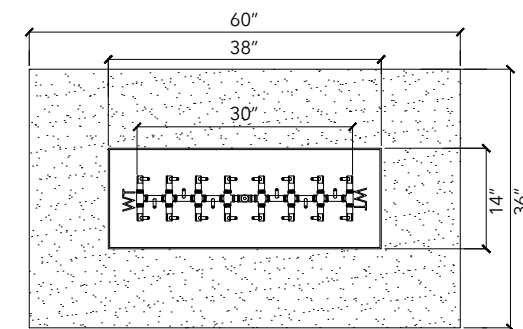
FR6036 shown



#### FRT4830NG | FRT4830LP

48" L x 30" W x 18" H Aluminum Frame with Concrete Board Attached  
 CFBT170 Tree-Style Brass Burner  
 28" x 10" Aluminum Pan with 2" Sidewalls  
 Fire Pit Vent Kit  
 3/4" Flex Line Kit  
 FIT180  
 Key Valve Extension  
 Ignition systems available: Push Button, 24 Volt Spark Ignition, 24 Volt Hot Surface Ignition (SC)

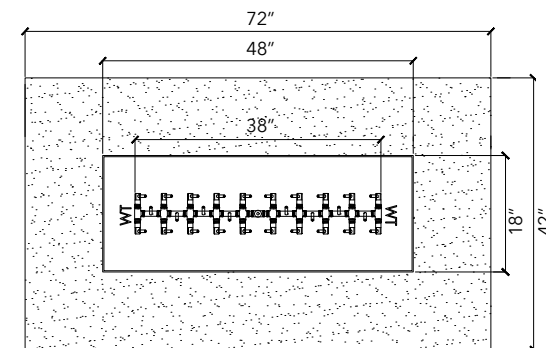
SHIPS FREIGHT



#### FRT6036NG | FRT6036LP

60" L x 36" W x 18" H Aluminum Frame with Concrete Board Attached  
 CFBT230 Tree-Style Brass Burner  
 38" x 14" Aluminum Pan with 2" Sidewalls  
 Fire Pit Vent Kit  
 3/4" Flex Line Kit  
 FIT180  
 Key Valve Extension  
 Ignition systems available: Push Button, 24 Volt Spark Ignition, 24 Volt Hot Surface Ignition (SC)

SHIPS FREIGHT



#### FRT7242NG | FRT7242LP

72" L x 42" W x 18" H Aluminum Frame with Concrete Board Attached  
 CFBT290 Tree-Style Brass Burner  
 48" x 18" Aluminum Pan with 2" Sidewalls  
 Fire Pit Vent Kit  
 Dual 3/4" Flex Line Kit  
 FIT250  
 Key Valve Extension  
 Ignition systems available: Push Button, 24 Volt Spark Ignition, 24 Volt Hot Surface Ignition (SC)

SHIPS FREIGHT

## OCTAGONAL READY-TO-FINISH KITS

### TECH TIP

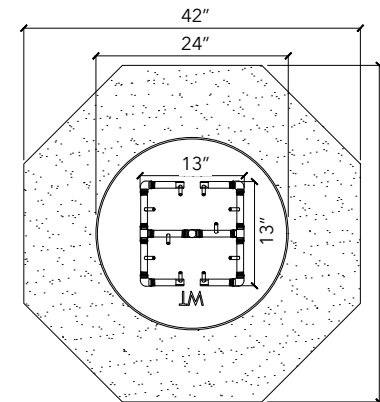
Ready-to-Finish Kits come with a Fire Pit Vent Kit (FPVK) but they do not come pre-installed as placement and installation depends on veneer. Vents are to be installed by contractor on site.



FO54 shown

### SKU BREAKDOWN

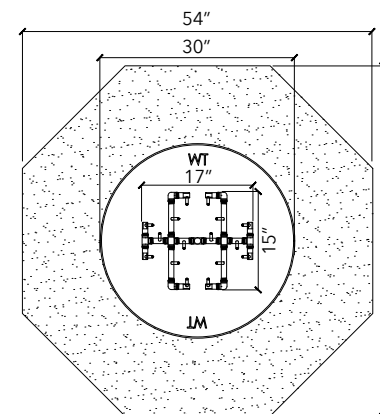
**FRT7242NG**  
 Style of Ready-to-Finish Kit | Size | Gas Type



#### FO42NG | FO42LP

42" W x 18" H Aluminum Frame with Concrete Board Attached  
 CFB120 Original Brass Burner  
 24" Aluminum Pan with 2" Sidewalls  
 Fire Pit Vent Kit  
 1/2" Flex Line Kit  
 Key Valve Extension  
 Ignition systems available: Push Button, 3 Volt, 24 Volt Spark Ignition, 24 Volt Hot Surface Ignition

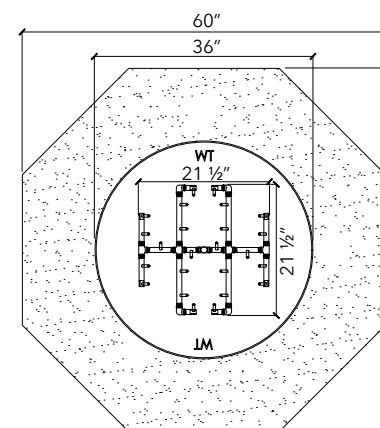
SHIPS FREIGHT



#### FO54NG | FO54LP

54" W x 18" H Aluminum Frame with Concrete Board Attached  
 CFB180 Original Brass Burner  
 30" Aluminum Pan with 2" Sidewalls  
 Fire Pit Vent Kit  
 3/4" Flex Line Kit  
 FIT180  
 Key Valve Extension  
 Ignition systems available: Push Button, 24 Volt Spark Ignition, 24 Volt Hot Surface Ignition

SHIPS FREIGHT



#### FO60NG | FO60LP

60" W x 18" H Aluminum Frame with Concrete Board Attached  
 CFB290 Original Brass Burner  
 36" Aluminum Pan with 2" Sidewalls  
 Fire Pit Vent Kit  
 3/4" Dual Flex Line Kit  
 FIT250  
 Key Valve Extension  
 Ignition systems available: Push Button, 24 Volt Spark Ignition, 24 Volt Hot Surface Ignition

SHIPS FREIGHT



## CUSTOM LINEAR READY-TO-FINISH KITS

Your design is custom. Your fire feature should be, too.

Every day Warming Trends designs and manufactures truly custom fire feature solutions.

Let us create a custom feature for you.  
 We'd love to help. **877 556 5255**

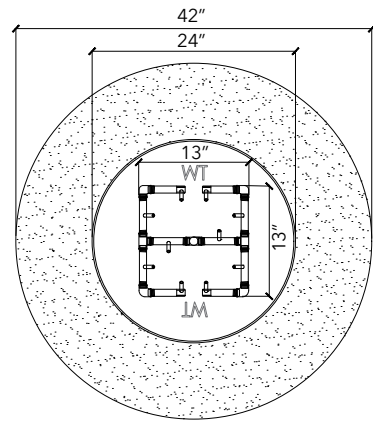
# CIRCULAR READY-TO-FINISH KITS

## TECH TIP

Ready-to-Finish Kits come with a Fire Pit Vent Kit (FPVK) but they do not come pre-installed as placement and installation depends on veneer. Vents are to be installed by contractor on site.



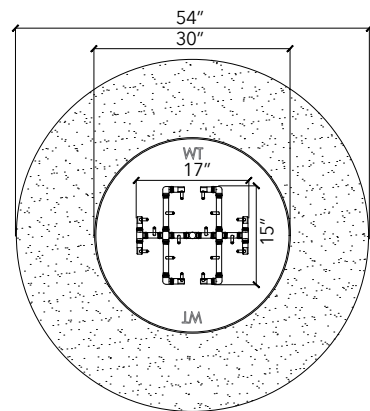
FC42 shown



### FC42NG | FC42LP

42" W x 18" H Aluminum Frame with Concrete Board Attached  
CFB120 Original Brass Burner  
24" Aluminum Pan with 2" Sidewalls  
Fire Pit Vent Kit  
1/2" Flex Line Kit  
Key Valve Extension  
Ignition systems available: Push Button, 3 Volt, 24 Volt Spark Ignition, 24 Volt Hot Surface Ignition (SC)

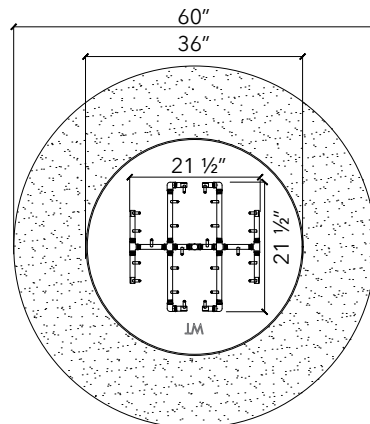
SHIPS FREIGHT



### FC54NG | FC54LP

54" W x 18" H Aluminum Frame with Concrete Board Attached  
CFB180 Original Brass Burner  
30" Aluminum Pan with 2" Sidewalls  
Fire Pit Vent Kit  
3/4" Flex Line Kit  
FIT180  
Key Valve Extension  
Ignition systems available: Push Button, 24 Volt Spark Ignition, 24 Volt Hot Surface Ignition (SC)

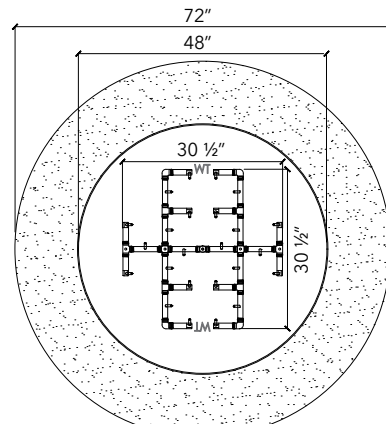
SHIPS FREIGHT



### FC60NG | FC60LP

60" W x 18" H Aluminum Frame with Concrete Board Attached  
CFB290 Original Brass Burner  
36" Aluminum Pan with 2" Sidewalls  
Fire Pit Vent Kit  
3/4" Dual Flex Line Kit  
FIT250  
Key Valve Extension  
Ignition systems available: Push Button, 24 Volt Spark Ignition, 24 Volt Hot Surface Ignition (SC)

SHIPS FREIGHT



### FC72NG | FC72LP

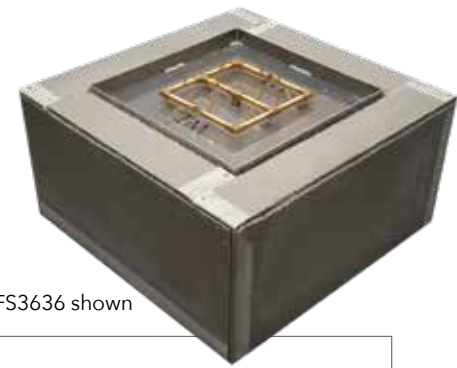
72" W x 18" H Aluminum Frame with Concrete Board Attached  
CFB350 Original Brass Burner  
48" Aluminum Pan with 2" Sidewalls  
Fire Pit Vent Kit  
3/4" Dual Flex Line Kit  
FIT300  
Key Valve Extension  
Ignition systems available: 24 Volt Spark Ignition, 24 Volt Hot Surface Ignition (HC)

SHIPS FREIGHT

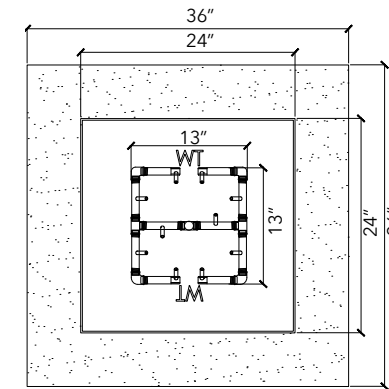
# SQUARE READY-TO-FINISH KITS

## SKU BREAKDOWN

**FRT7242NG**  
Style of Ready-to-Finish Kit | Size | Gas Type



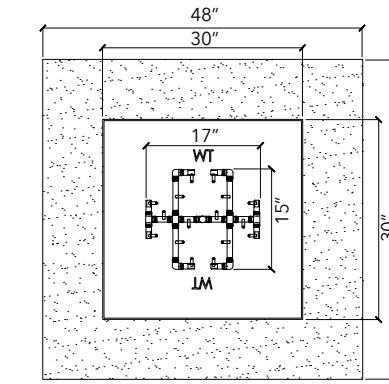
FS3636 shown



### FS3636NG | FS3636LP

36" x 36" W x 18" H Aluminum Frame with Concrete Board Attached  
CFB120 Original Brass Burner  
24" Aluminum Pan with 2" Sidewalls  
Fire Pit Vent Kit  
1/2" Flex Line Kit  
Key Valve Extension  
Ignition systems available: Push Button, 3 Volt, 24 Volt Spark Ignition, 24 Volt Hot Surface Ignition (SC)

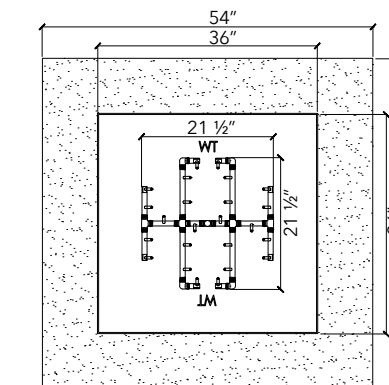
SHIPS FREIGHT



### FS4848NG | FS4848LP

48" x 48" W x 18" H Aluminum Frame with Concrete Board Attached  
CFB180 Original Brass Burner  
30" Aluminum Pan with 2" Sidewalls  
Fire Pit Vent Kit  
3/4" Flex Line Kit  
FIT180  
Key Valve Extension  
Ignition systems available: Push Button, 24 Volt Spark Ignition, 24 Volt Hot Surface Ignition (SC)

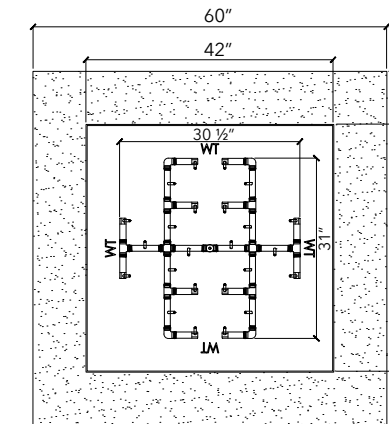
SHIPS FREIGHT



### FS5454NG | FS5454LP

54" x 54" W x 18" H Aluminum Frame with Concrete Board Attached  
CFB290 Original Brass Burner  
36" Aluminum Pan with 2" Sidewalls  
Fire Pit Vent Kit  
3/4" Dual Flex Line Kit  
FIT250  
Key Valve Extension  
Ignition systems available: Push Button, 24 Volt Spark Ignition, 24 Volt Hot Surface Ignition (SC)

SHIPS FREIGHT



### FS6060NG | FS6060LP

60" x 60" W x 18" H Aluminum Frame with Concrete Board Attached  
CFB300 Original Brass Burner  
42" Aluminum Pan with 2" Sidewalls  
Fire Pit Vent Kit  
3/4" Dual Flex Line Kit  
FIT300  
Key Valve Extension  
Ignition systems available: 24 Volt Spark Ignition, 24 Volt Hot Surface Ignition (HC)

SHIPS FREIGHT



## UNIVERSAL PAVER KITS

Universal Paver Kits are specifically designed to work with a variety of paver company block kits, including Techo-Bloc, Belgard, Pavestone, and many others.

Please confirm interior dimensions of your pit and choose the corresponding Universal Paver Kit for your project.

Questions? We're happy to help. Call our Flame Consultants at 877 556 5255

## UNIVERSAL PAVER KITS

Warming Trends Universal Paver Kits include everything needed to complete or convert your paver fire pit.

Included in each kit:

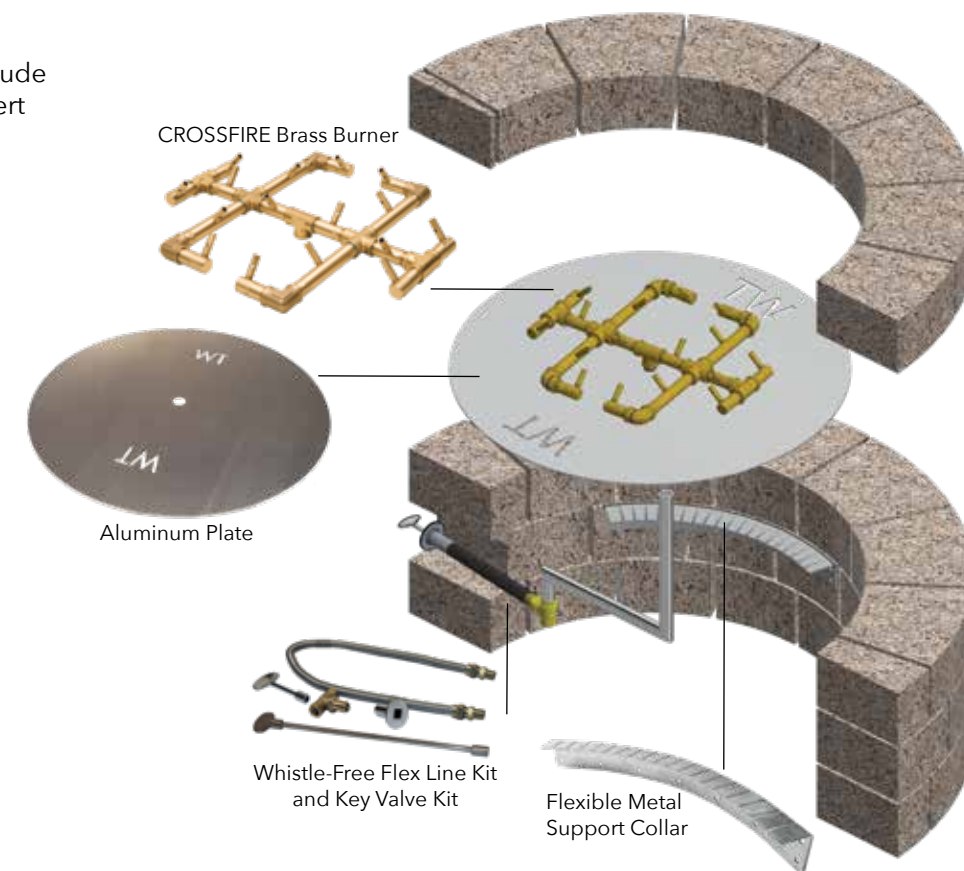
- CROSSFIRE® Brass Burner
- Aluminum Plate
- Flex Line Kit
- Key Valve Kit
- Flexible Metal Support Collars

Select the Warming Trends Universal Paver Kit that matches the interior dimensions of your fire pit.

**KIT DOES NOT INCLUDE VENTS.**  
(Manufacturer recommends 18 sq. inches of ventilation on opposing sides of the fire feature.)

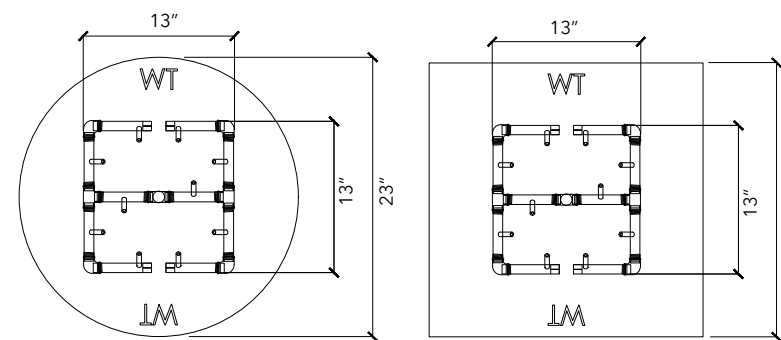
**KIT DOES NOT INCLUDE STONE/ ENCLOSURE.**

Questions? Want to customize your kit?  
Give us a call at 877 556 5255



### TECH TIP

Collars fill the space between the plate and side of the fire pit as well as provide support for the plate for easy installation and maintenance.



### 23" - 26" OPENING

#### UPK120C23NG | UPK120C23LP

CFB120 Original Brass Burner, 23" Circular Aluminum Plate, 1/2" Flex Line Kit, Key Valve Extension, (4) Collars	28 lbs 25" x 25" x 7"
---	--------------------------

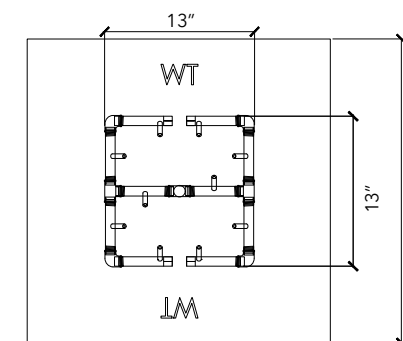
#### UPK120S23NG | UPK120S23LP

CFB120 Original Brass Burner, 23" Square Aluminum Plate, 1/2" Flex Line Kit, Key Valve Extension, (4) Collars	30 lbs 26" x 26" x 7"
---	--------------------------

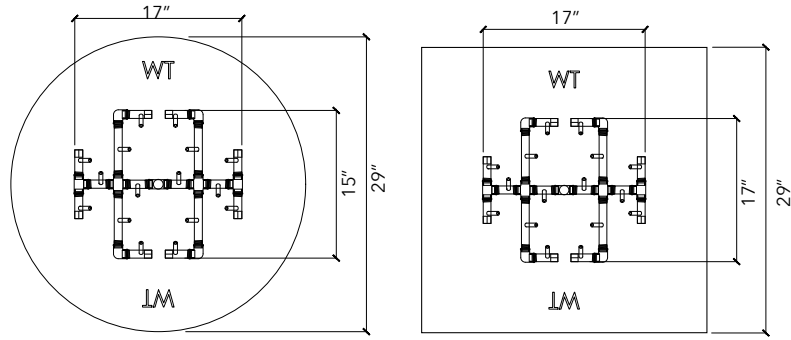
### 26" - 29" OPENING

#### UPK120S26NG | UPK120S26LP

CFB120 Original Brass Burner, 26" Square Aluminum Plate, 1/2" Flex Line Kit, Key Valve Extension, (4) Collars	32 lbs 29" x 29" x 7"
---	--------------------------



## UNIVERSAL PAVER KITS



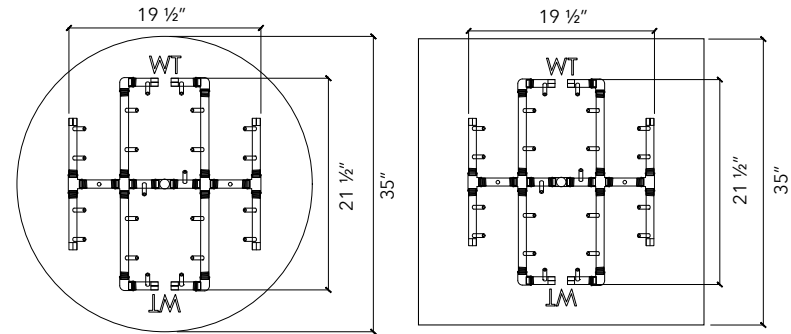
### 29" - 32" OPENING

#### UPK180C29NG | UPK180C29LP

CFB180 Original Brass Burner, 29" Circular Aluminum Plate, 3/4" Flex Line Kit + FIT180, Key Valve Extension, (5) Collars	33 lbs 31" x 31" x 7"
--	--------------------------

#### UPK180C29NG | UPK180C29LP

CFB180 Original Brass Burner, 29" Circular Aluminum Plate, 3/4" Flex Line Kit + FIT180, Key Valve Extension, (5) Collars	34 lbs 33" x 33" x 7"
--	--------------------------



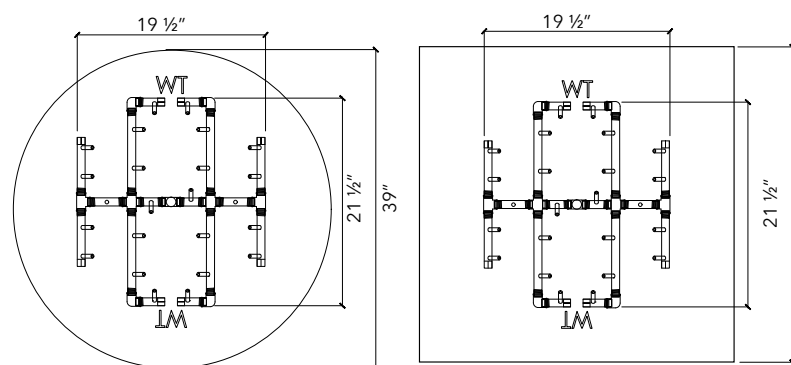
### 35" - 38" OPENING

#### UPK240C35NG | UPK240C35LP

CFB240 Original Brass Burner, 35" Circular Aluminum Plate, 3/4" Flex Line Kit + FIT180, Key Valve Extension, (6) Collars	41 lbs 37" x 37" x 7"
--	--------------------------

#### UPK240S35NG | UPK240S35LP

CFB240 Original Brass Burner, 35" Square Aluminum Plate, 3/4" Flex Line Kit + FIT180, Key Valve Extension, (6) Collars	47 lbs 39" x 39" x 7"
--	--------------------------



### 39" - 42" OPENING

#### UPK240C39NG | UPK240C39LP

CFB240 Original Brass Burner, 39" Circular Aluminum Plate, 3/4" Flex Line Kit + FIT180, Key Valve Extension, (7) Collars	SHIPS FREIGHT
--	------------------

#### UPK240S39NG | UPK240S39LP

CFB240 Original Brass Burner, 39" Square Aluminum Plate, 3/4" Flex Line Kit + FIT180, Key Valve Extension, (7) Collars	SHIPS FREIGHT
--	------------------

So good at making  
dreams come true  
you'd think we were the  
fairy godmother of fire.



Let us create the custom  
fire feature of your dreams.

Call us today. We'd love to help. 877 556 5255



## IGNITIONS, ACCESSORIES, AND MEDIA

Select the right accents to complement your feature's surroundings. Complete with a secure cover made to fit.

### IGNITION SYSTEMS



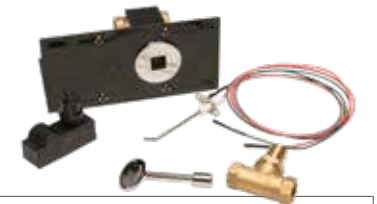
#### MATCH LIT

All CROSSFIRE Brass Burners come standard as a manual Match Lit System. Light a match and turn the key valve to ignite your fire feature burner.



#### PUSH BUTTON IGNITION

Upgrade to an electric Push Button Ignition. Turn the key valve to on position and push the button to ignite your burner.

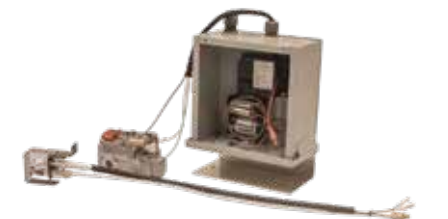


PBIK3.0	Push Button Ignition Kit: Spark Igniter Rod and Wire + Push Button Battery Operated Control Module
PBIK3.0MBR	Push Button Ignition Kit + Mounting Bracket
PBIK3.0MBRKV12	Push Button Ignition Kit + Mounting Bracket + 1/2" Key Valve + (2) Pre-mounted 1/2" Street Elbows
PBIK3.0MBRKV34	Push Button Ignition Kit + Mounting Bracket + 3/4" Key Valve + (2) Pre-mounted 3/4" Street Elbows
PBIK3.0MBRFLKV12	Push Button Ignition Kit + Mounting Bracket + 1/2" Dual Flex Line Kit + (2) Pre-mounted 1/4" Street Elbows
PBIK3.0MBRFLKV34FIT180	Push Button Ignition Kit + Mounting Bracket + 3/4" Flex Line Kit + FIT180 + (2) Pre-mounted 3/4" Street Elbows
PBIK3.0MBRDFLKV34FIT250	Push Button Ignition Kit + Mounting Bracket + 3/4" Dual Flex Line Kit + FIT250 + (2) Pre-mounted 3/4" Street Elbows
PBIK3.0MBRDFLKV34FIT300	Push Button Ignition Kit + Mounting Bracket + 3/4" Dual Flex Line Kit + FIT300 + (2) Pre-mounted 3/4" Street Elbows



#### 3 VOLT IGNITION

A battery-operated ignition system with on and off switch. 3 Volt Ignition supplies up to 120K BTUs. Remote control available.

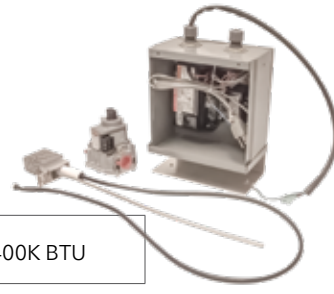


3VIK-NG 3VIK-LP	3 Volt Electronic Ignition System: Spark Igniter + Control Module + D-Cell Battery Pack + 3 Volt Gas Valve + up to 120K BTU + Ignition Switch
--------------------	---



## 24 VOLT SPARK IGNITION

24 Volt Spark Ignition supplies up to 400K BTUs. Includes step down transformer for use with 24 Volt/110 Volt supply. Remote control options available.



24VIKHC-NG 24VIKHC-LP	24 Volt Spark Ignition System: Spark Igniter + Control Module + 24 Volt Transformer + up to 400K BTU
--------------------------	--



## 24 VOLT HOT SURFACE IGNITION

24 Volt Hot Surface Ignition Standard Capacity supplies up to 290K BTUs. 24 Volt Hot Surface Ignition High Capacity supplies up to 512K BTUs. Includes step down transformer for use with 24 Volt/110 Volt supply. Remote control options available.



P24VIKSCCG-NG P24VIKSCCG-LP	24 Volt Hot Surface Ignition System - Standard Capacity: Hot Surface Igniter + 50VA/24VAC Transformer + Maximum Gas Output 290K BTU/hr
P24VIKHCCG-NG P24VIKHCCG-LP	24 Volt Hot Surface Ignition System - High Capacity: Hot Surface Igniter + 50VA/24VAC Transformer + Maximum Gas Output 512K BTU/hr

Low voltage Premium Ignition available. Call a Warming Trends Flame Consultant to discuss the best ignition system for your CROSSFIRE Brass Burner.

**TECH TIP** Aluminum covers help protect electronic ignition systems from the elements. Available in standard and custom sizes. Custom and standard sizes available, page 46.

## ELECTRONIC ADD-ONS



### 3 VOLT REMOTE

3VRC	ON/OFF Remote Control for 3 Volt Ignition System
------	--



### 24 VOLT KEY CHAIN REMOTE

KCRC	ON/OFF Wireless Key Chain Remote Control & Plug In Receiver for 24 Volt Ignition System
------	---



### EMERGENCY STOP

EMERSTOP	Push Button Emergency Stop with yellow shell and weatherproof lift cover. Recommended for commercial properties.
----------	--



### DIAL TIMERS

Available in 2 hour and 12 hour options for automatic shut off, with or without NEMA Rated outdoor enclosure.

DT2HR	2 Hour Dial Timer
DT2HRNB	2 Hour Dial Timer with NEMA Rated Enclosure
DT12HR	12 Hour Dial Timer
DT12HRNB	12 Hour Dial Timer with NEMA Rated Enclosure

**TECH TIP** Typically commercial projects require an Emergency Stop and electronic ignition. Consult your local code.

## MEDIA

**TECH TIP** Easily calculate how much lava rock or fire glass will be needed with the Fire Glass calculator on our website.

### LAVA ROCK



#### BLR

1" - 1 1/2" Black Lava Rock, 1 bag per 1 cubic foot

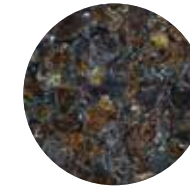


#### LRR

1" - 1" Gray/Black Rolled Lava, 1 bag per 1 cubic foot

### FIRE GLASS

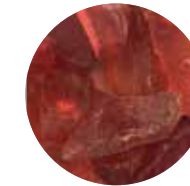
3/4" Fire Glass. Colors may vary from photo.



**CS AMBER 9**  
Dark Amber



**CS AMBER 4**  
Light Amber



**BURNT ORANGE**  
Burnt Orange



**CA RED**  
Red



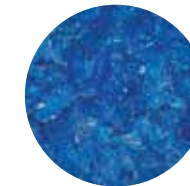
**MN PURPLE 4**  
Purple



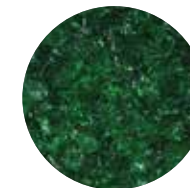
**PLUM 7**  
Plum



**CO BLUE 5**  
Dark Blue



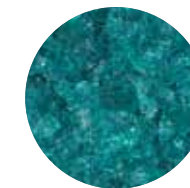
**CO BLUE 3**  
Light Blue



**CR GREEN 6**  
Dark Green



**CR GREEN 4**  
Light Green



**AQUA 2**  
Aqua



**GRAY 5**  
Gray



**BLACK**  
Black



**CLEAR**  
Clear



Additional Options Available Upon Request



### CERAMIC OAK LOG SETS

Additional sizes available upon request.

SKU	DESCRIPTION	SHIP WEIGHT + DIMS	
OSS	Oak Log Set for 24" - 30" Fire Pit (8 Pieces)	50 lbs	(1 box) 39" x 19" x 9"
OSM	Oak Log Set for 36" - 42" Fire Pit (12 Pieces)	106 lbs	(2 boxes) 39" x 19" x 9"
OSL	Oak Log Set for 48" Fire Pit (15 Pieces)	162 lbs	(3 boxes) 39" x 19" x 9"



## STEEL LOG SETS

Available for 18", 24", 30", and 36" Fire Pits.

SKU	DESCRIPTION	SHIP WEIGHT + DIMS
SLS18	Handcrafted to fit 18" Fire Pit	SHIPS FREIGHT
SLS24	Handcrafted to fit 24" Fire Pit	SHIPS FREIGHT
SLS30	Handcrafted to fit 30" Fire Pit	SHIPS FREIGHT
SLS36	Handcrafted to fit 36" Fire Pit	SHIPS FREIGHT
SLSCUST	Custom Handcrafted Steel Log Set	SHIPS FREIGHT



## FIRESTORM™ STEEL LOG

Handcrafted, one-of-a-kind steel gas log with integrated burner

SKU	DESCRIPTION	SHIP WEIGHT + DIMS
FSL32LP	32" Steel log with integrated CFBL150 CROSSFIRE Brass Burner on a 38" x 10" aluminum plate for Liquid Propane	SHIPS FREIGHT
FSL32NG	32" Steel log with integrated CFBL150 CROSSFIRE Brass Burner on a 38" x 10" aluminum plate for Natural Gas	SHIPS FREIGHT

**TECH TIP** Custom Steel Log Sets and FireStorms are available. Give us a call at 877 556 5255

## COVERS

Aluminum covers are available in standard fire pit sizes. More standard and custom sizes available.

### CIRCULAR

SKU	DESCRIPTION	SHIP WEIGHT + DIMS	
FPC26C	26" Circular + 1 handle. For 24" opening.	13 lbs	27" x 27" x 7"
FPC32C	32" Circular + 1 handle. For 30" opening.	19 lbs	33" x 33" x 9"
FPC38C	38" Circular + 2 handles. For 36" opening.	23 lbs	39" x 39" x 7"
ALPLCUST	Covers customized to any shape or size	Call for Quote	

### SQUARE

SKU	DESCRIPTION	SHIP WEIGHT + DIMS	
FPC26S	26" Square + 1 handle. For 24" opening.	16 lbs	29" x 29" x 7"
FPC32S	32" Square + 1 handle. For 30" opening.	23 lbs	37" x 37" x 9"
FPC38S	38" Square + 2 handles. For 36" opening.	SHIPS FREIGHT	
ALPLCUST	Covers customized to any shape or size	Call for Quote	

## Warranty

FULL LIFETIME WARRANTY FOR WARMING TRENDS® BURNERS

WARMING TRENDS warrants that each WARMING TRENDS® Crossfire® and other jetted-flame-brass-burners (each as "Burner") is free from defects in materials and workmanship and conforms to its specifications, which are available upon request.

The warranty period for a Burner is lifetime warranty beginning on the date of purchase ("Warranty Period"). This Warranty is transferable, but we reserve the right to require proof of ownership for any transferred burners including proof that the Burner was not acquired through improper means or unauthorized re-sellers. During the Warranty Period, WARMING TRENDS provides repair and exchange services for the Burners, without charge. If a Burner does not function as warranted during the Warranty Period and, after a reasonable number of attempts, WARMING TRENDS is unable to either 1) make it do so or 2) replace it with one that is at least functionally equivalent, you may return it to WARMING TRENDS and your money will be refunded.

The warranty stated above will not apply to the extent that there has been misuse or use contrary to specifications or the appropriate user or operating manual, installation defect, accident, modification, unsuitable physical or operating environment, operation in other than the specified operating environment (e.g., outdoor burners should only be used outdoors) improper maintenance by you, or failure caused by a product for which WARMING TRENDS is not responsible. With respect to Burners, the warranty is voided by removal or alteration of any identification labels or marks on any Burner or part.

THESE WARRANTIES ARE YOUR EXCLUSIVE WARRANTIES AND REPLACE ALL OTHER WARRANTIES OR CONDITIONS, EXPRESS OR IMPLIED, INCLUDING, BUT NOT LIMITED TO, THE IMPLIED WARRANTIES OR CONDITIONS OF MERCHANTABILITY AND FITNESS FOR A PARTICULAR PURPOSE.

### ITEMS NOT COVERED BY WARRANTY

Other than as expressly stated above, WARMING TRENDS does not warrant uninterrupted or error-free operation of any Burner or that WARMING TRENDS will correct all defects.

Warming Trends does not warranty any services related to our Burners, including installation, unless we provided those services to you. You may have warranty rights from the service provider, but we make no representations or warranties express or implied regarding any third party service provider. This warranty also does not apply to any fire logs (including the FireStorm® Steel Log) or any of the electronics used in connection with our Burners, which may be covered by separate warranties with different terms.

### YOUR RIGHTS UNDER STATE LAW

This Warranty gives you specific legal rights, and you may also have other rights which vary from state to state. You may find this information from the Federal Trade Commission helpful in understanding your rights, but we recommend you speak to your attorney regarding your specific situation and the laws in your state or jurisdiction. <https://www.consumer.ftc.gov/articles/0252-warranties>

## Ignition Systems Warranty

ALL BURNERS AND ELECTRONICS MUST BE COVERED WHEN NOT IN USE OR WARRANTY IS NULL AND VOID

**Push Button Ignition Systems:** There is no warranty offered on any push button ignition system.

### Electronic Ignition Systems:

Residential Installations:

- 24VIK and 3VIK systems are fully warranted for one (1) year with a limited warranty for two (2) years from date of purchase. In the event a system must be replaced due to a defect/malfunction of the system, Warming Trends will repair or replace the system at no cost for the first year. In the event a system fails after the first year from date of purchase and within two years from date of purchase, Warming Trends will repair or replace the system for a cost of 50% of the current list price. This warranty does not cover labor costs.
- P24VIK systems purchased ON OR BEFORE April 15, 2018 are fully warranted for one (1) year with a limited warranty for two (2) years from date of purchase. In the event a system must be replaced due to a defect/malfunction of the system, Warming Trends will repair or replace the system at no cost for the first year. In the event a system fails after the first year and within two years of date of purchase, the cost for a replacement system is at a discount rate of 50% of the current listed price. This warranty does not cover labor costs.
- P24VIK Systems purchased AFTER April 15, 2018 are fully warranted for three (3) years from date of purchase. In the event a system must be replaced due to a defect/malfunction of the system, Warming Trends will repair or replace the system at no cost for the first three years. This warranty does not cover labor costs.

Commercial Installations:

- 24VIK and 3VIK systems are fully warranted for twelve months from date of purchase. In the event a system must be replaced due to a defect/malfunction of the system, Warming Trends will repair or replace the system at no cost. This warranty does not cover labor costs.
- P24VIK Systems are fully warranted for one (1) year from date of purchase. In the event a system must be replaced due to a defect/malfunction of the system, Warming Trends will repair or replace the system at no cost for 12 months from the date of purchase. This warranty does not cover labor costs.

Problems in the functioning of the systems due to gas plumbing or electrical installed by others are not covered by any warranty offered by Warming Trends.

No dealer, distributor, or other person has the authority to represent or warrant a Warming Trends™ product beyond the terms contained within this warranty, and Warming Trends assumes no liability for such warranty representations. Any questions concerning this warranty should be directed to the Warming Trends™ corporate office.

### Return Policy of Warranty Product

Any Warming Trends™ product deemed by Warming Trends™ as defective and covered by the warranty may be returned to Warming Trends™ for assessment to determine if repair or replacement is necessary. In order to return a product, you must have a Return Merchandise Authorization number (RMA#). Please contact a Warming Trends™ representative at the corporate office to obtain an RMA#. All returned merchandise must have the RMA# clearly printed on the outside of the package. Return shipping costs are the purchaser's responsibility. Warming Trends™ is not responsible for product damaged or lost in transit. It is recommended that return items are shipped via a delivery service that can be tracked and/or insured to confirm receipt.

## Minimum Advertised Pricing Policy

Effective January 1, 2017  
**Warming Trends™** Minimum Advertised Pricing Policy (MAP) is designed to protect our brand while also protecting our long-term brand building partners who sell our products.

MAP is the net price advertised for our products after any and all discounts, rebates, gifts, promotions, etc. The MAP policy applies to all advertisements of **Warming Trends™** products in any and all media, including, but not limited to, flyers, posters, coupons, mailers, inserts, newspapers, magazines, catalogs, mail order catalogs, email newsletters, email solicitations, Internet or similar electronic media, television, radio, and public signage.

**Warming Trends™** MAP policy is that Resellers will not advertise any product at prices below the published MSRP. This policy does not include advertising a higher price.

If a Reseller or a Distributor violates this Policy, **Warming Trends™** reserves the right to discontinue sales to that Reseller. Please note that MAP can be adjusted with or without notice at the discretion of **Warming Trends™**. It is the responsibility of the Reseller to keep informed of current MAP and policies related to MAP.





# WARMING TRENDS<sup>®</sup>

[www.Warming-Trends.com](http://www.Warming-Trends.com) | 303 346 2224

Proud Members of



American Society of  
Landscape Architects