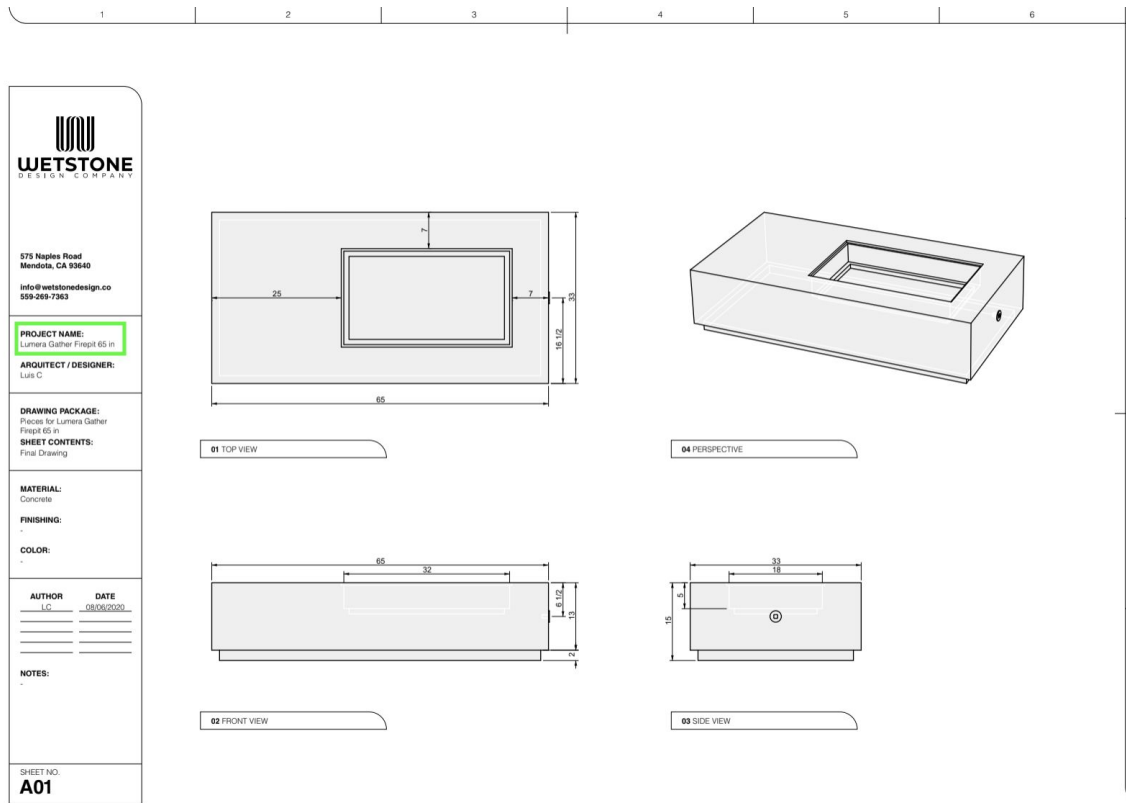
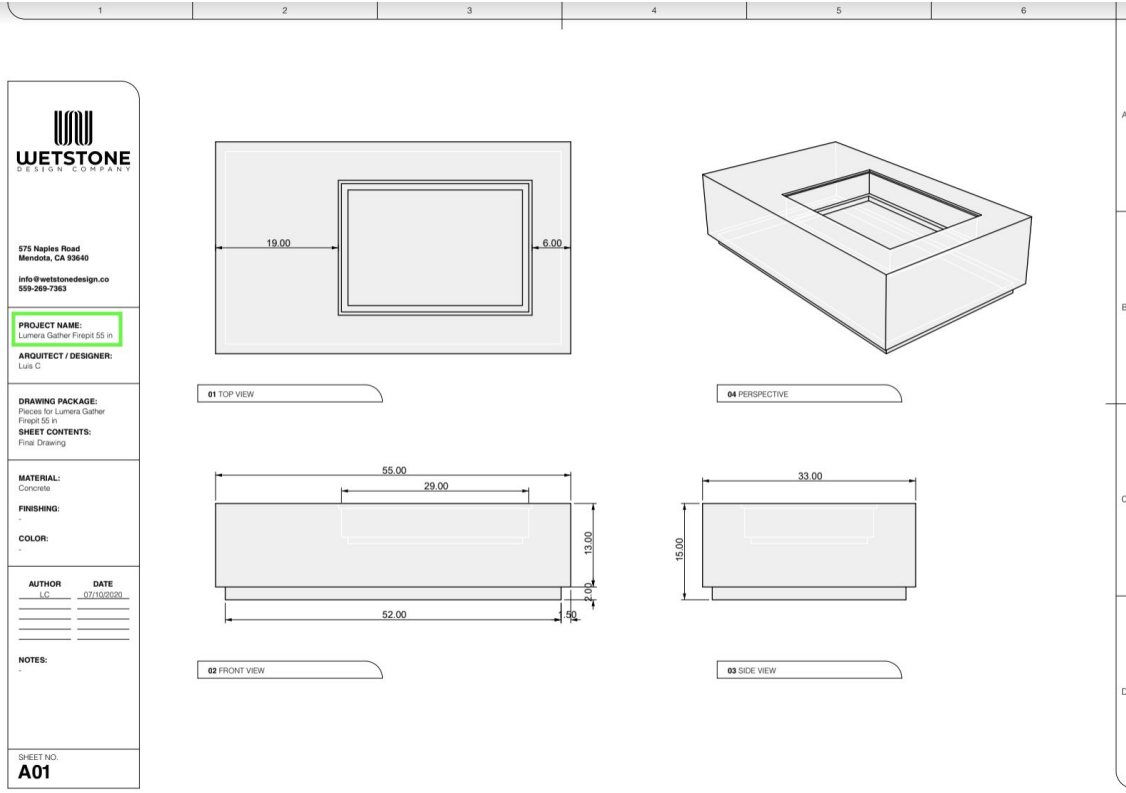


Lumera Gather Fire Table - Specs





675 Naples Road
Menlo Park, CA 94040
info@wetstonedesign.co
509-269-7363

PROJECT NAME:
Lumera Gather Firepit 75 in

ARCHITECT / DESIGNER:
Lisa C.

DRAWING PACKAGE:
Pieces for Lumera Gather
Firepit 75 in

SHEET CONTENTS:
Final Drawing

MATERIAL:
Concrete

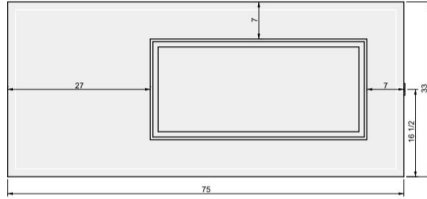
FINISHING:
-

COLOR:
-

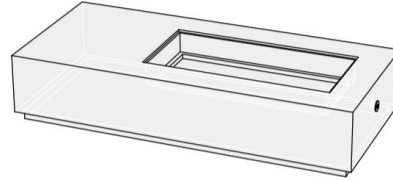
| AUTHOR | DATE |
|--------|------------|
| LC | 08/06/2020 |
| | |
| | |
| | |

NOTES:
-

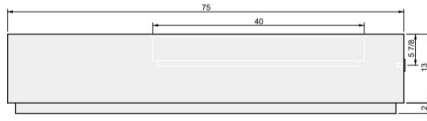
SHEET NO.
A01



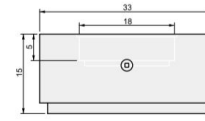
01 TOP VIEW



04 PERSPECTIVE



02 FRONT VIEW



03 SIDE VIEW



675 Naples Road
Menlo Park, CA 94040
info@wetstonedesign.co
509-269-7363

PROJECT NAME:
Lumera Gather Firepit 85 in

ARCHITECT / DESIGNER:
Lisa C.

DRAWING PACKAGE:
Pieces for Lumera Gather
Firepit 85 in

SHEET CONTENTS:
Final Drawing

MATERIAL:
Concrete

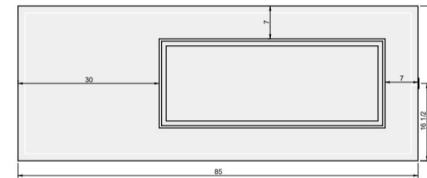
FINISHING:
-

COLOR:
-

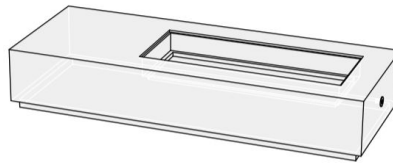
| AUTHOR | DATE |
|--------|------------|
| LC | 08/06/2020 |
| | |
| | |
| | |

NOTES:
-

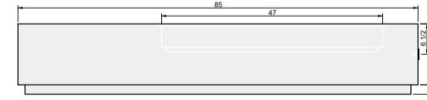
SHEET NO.
A01



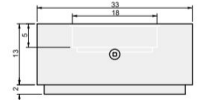
01 TOP VIEW



04 PERSPECTIVE



02 FRONT VIEW



03 SIDE VIEW



575 Naples Road
Mendota, CA 93640
info@wetstonedesign.co
559-269-7363

PROJECT NAME:

Lumera Gather Fingerprint 95 in

ARCHITECT / DESIGNER:

Luis C

DRAWING PACKAGE:

Pieces for Lumera Gather

Fingerprint 95 in

SHEET CONTENTS:

Final Drawing

MATERIAL:

Concrete

FINISHING:

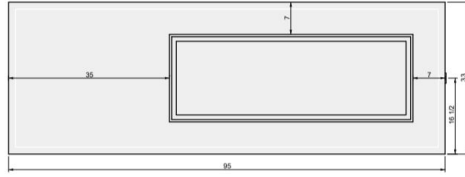
-

COLOR:

-

| AUTHOR | DATE |
|--------|------------|
| L.C. | 08/06/2020 |
| | |
| | |
| | |

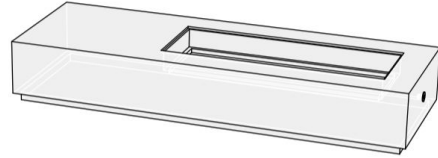
SHEET NO
A01



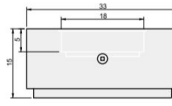
01 TOP VIEW



02 FRONT VIEW



04 PERSPECTIVE



03 SIDE VIEW

A
B
C
D