

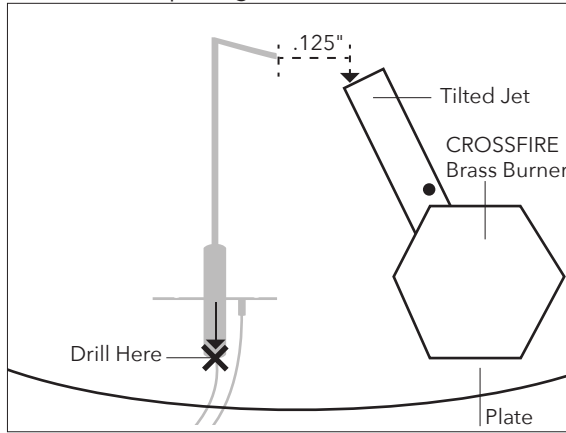
# Push Button Ignition Installation

**NOTE:** If the burner being installed uses a tilted jet, use the 3.0" Spark Igniter. If the burner uses a straight jet, use the 3.25" Spark Igniter.

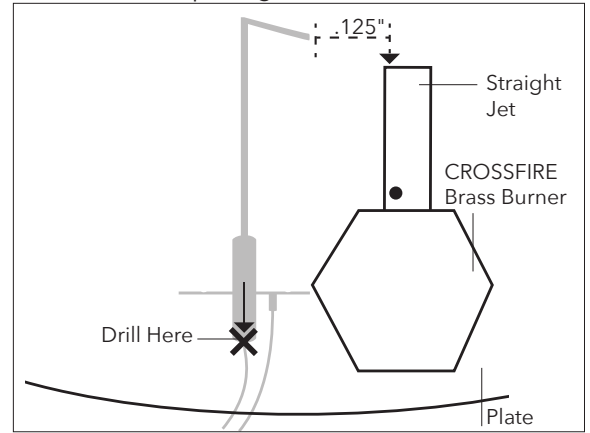
**STEP 1:** To place Spark Igniter in proper position, the installer will need to drill a hole in the plate.

Measure where to drill holes by holding tip of Spark Igniter no further than .125" away from inside edge of jet. Drill hole where base of Spark Igniter sits.

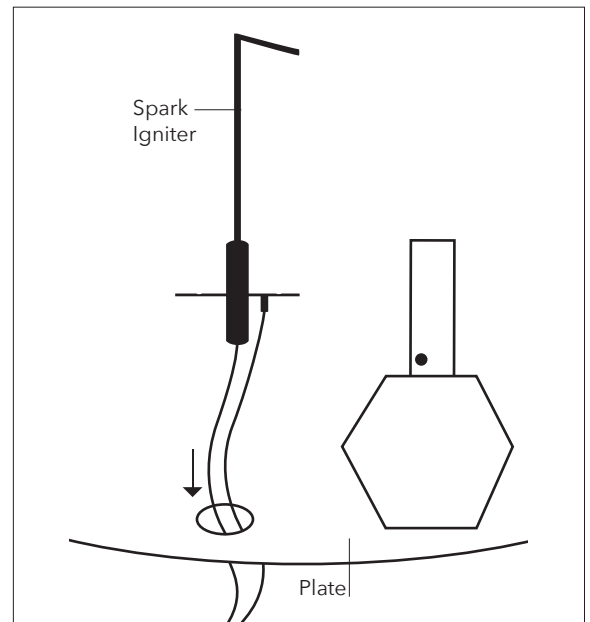
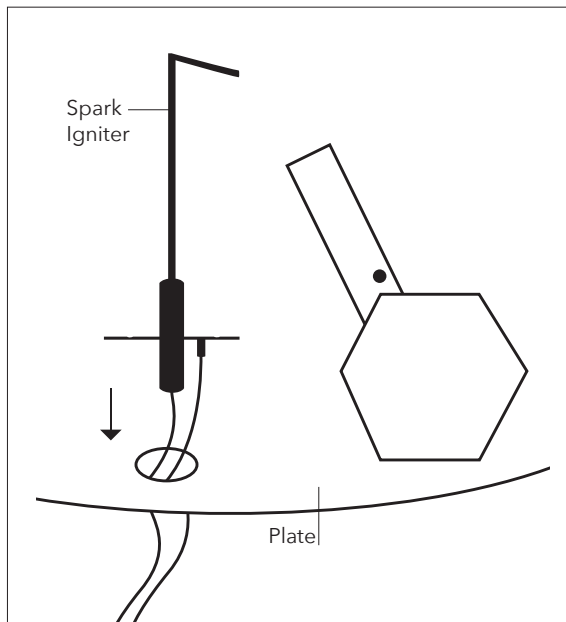
Use the 3.0" Spark Igniter



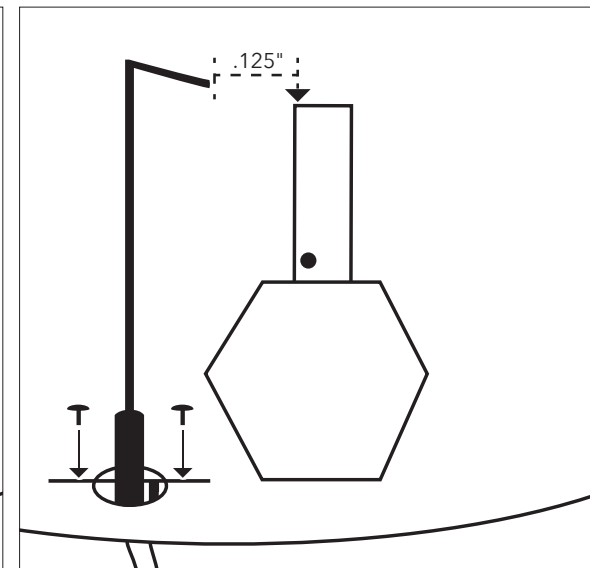
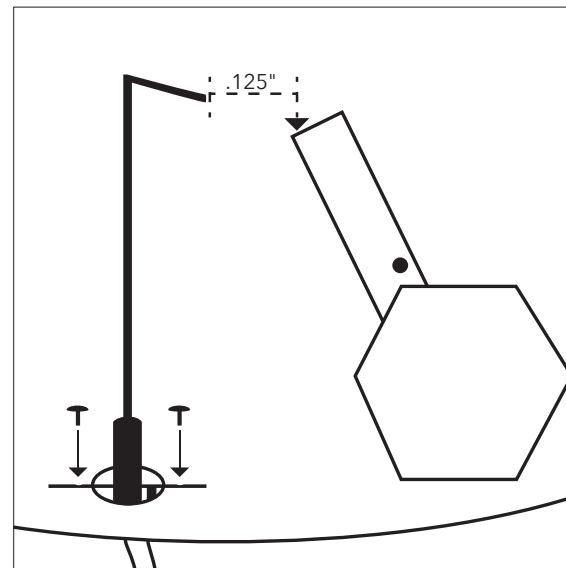
Use the 3.25" Spark Igniter



**STEP 2:** Place wires through drilled hole and pull through until Spark Igniter bracket is in place on plate.

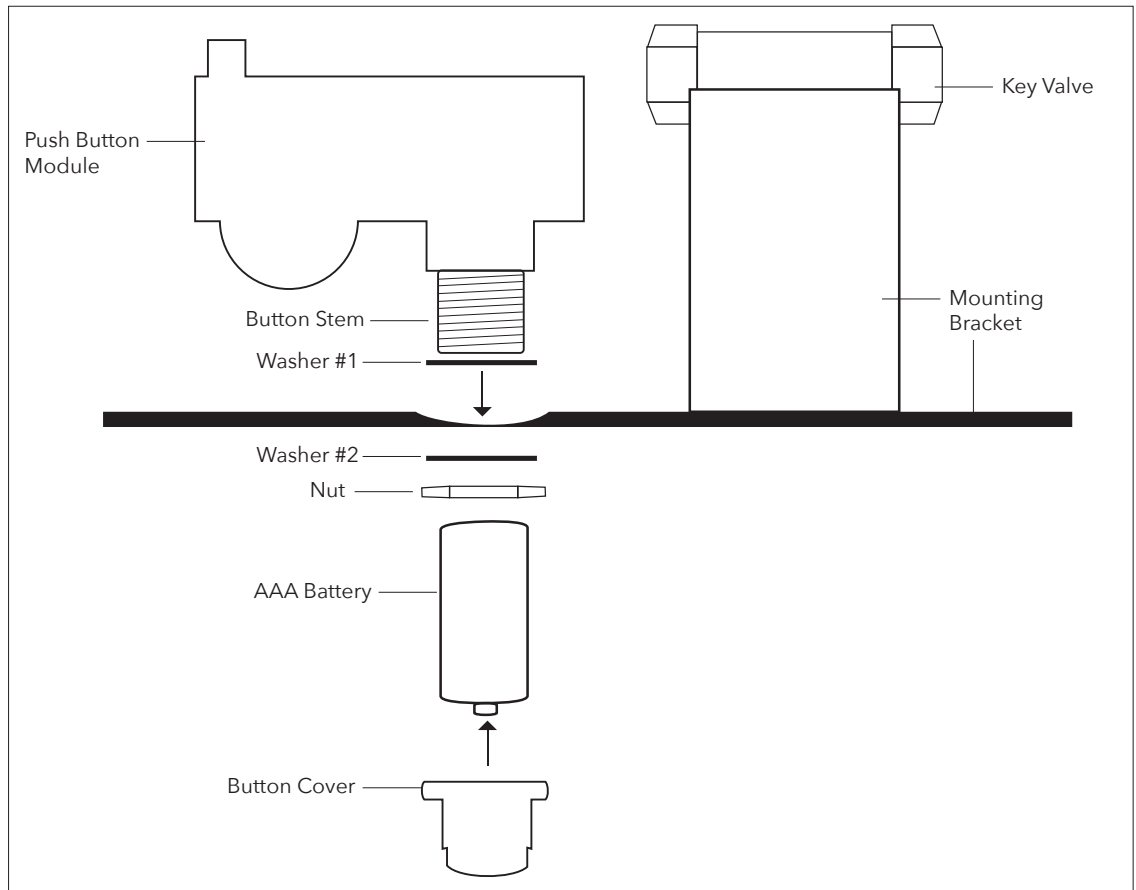


**STEP 3:** Screw Spark Igniter to plate. Make sure tip of Spark Igniter sits no further than .125" away from the inside edge of the jet.  
*NOTE: If Spark Igniter is too high when flush with plate, run mechanism up through bottom of plate.*

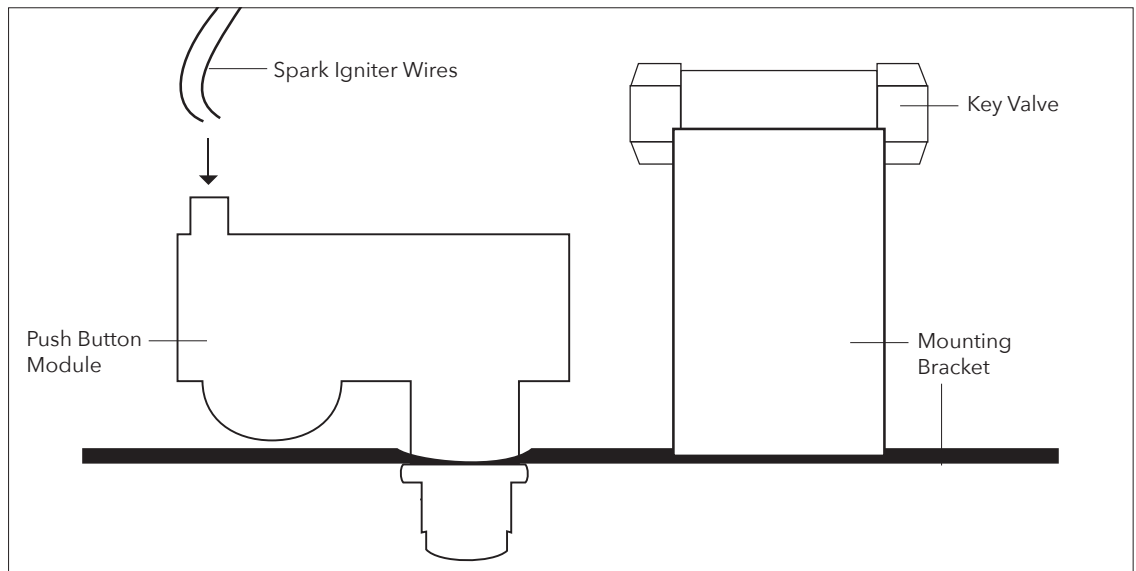


**STEP 4:** Install push button module into mounting bracket.

- 1) Unscrew button cover.
- 2) Remove plastic nut.
- 3) Insert washer #1 onto the button stem.
- 4) Insert push button stem through mounting bracket hole.
- 5) Insert washer #2.
- 6) Put on plastic nut and turn until push button control has been secured to mounting bracket.
- 7) Insert AAA battery into button stem.
- 8) Screw on button cover.



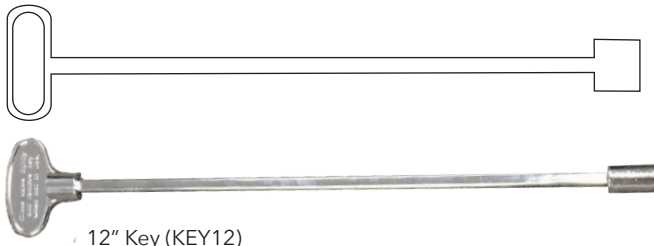
**STEP 5:** Crimp Spark Igniter wires, then slide crimped wires on to connections using needle nose pliers. Be careful not to break connectors. Wires can go in either connection.



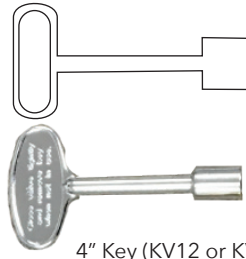
**STEP 6:** Test Spark Igniter and Push Button Module WITHOUT gas, making sure spark arcs from electricity to jet.

**STEP 7:** Test with gas. Burner should light within 5 seconds or a few clicks.

# Parts Glossary



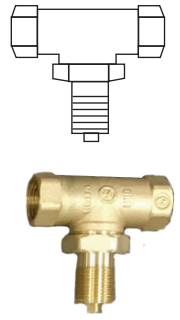
12" Key (KEY12)



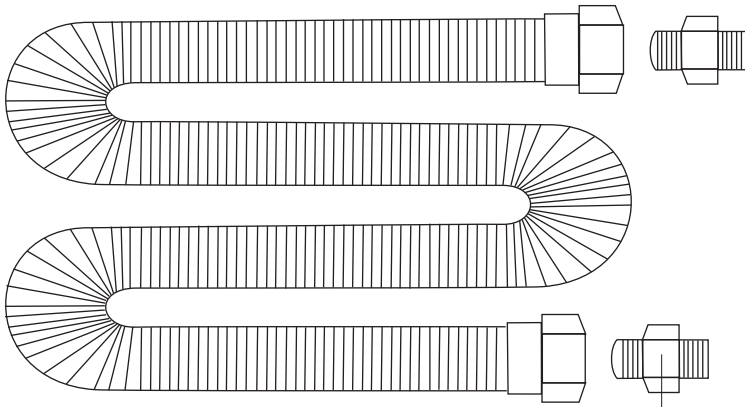
4" Key (KV12 or KV34)



Pressure Face Plate (KV12 or KV34)

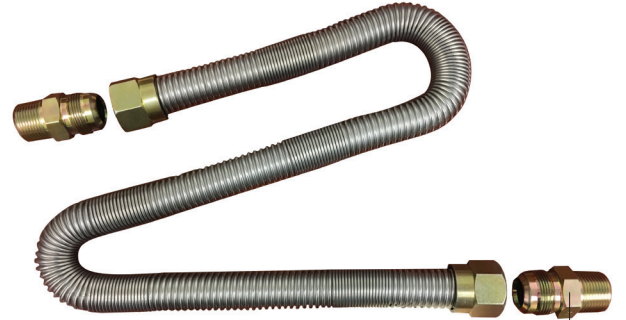


Key Valve (KV12 or KV34)

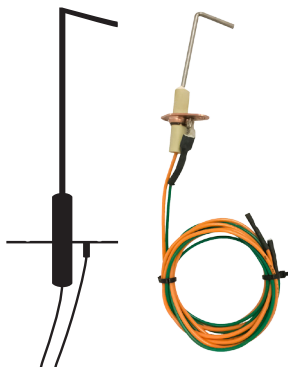


Flex Line (FL3612 or FL3634)

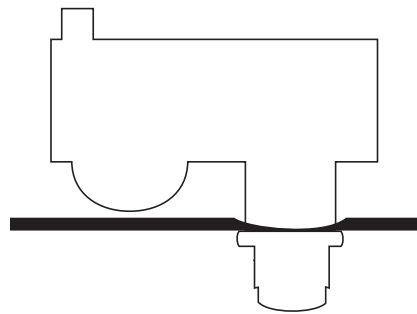
Flared Fitting



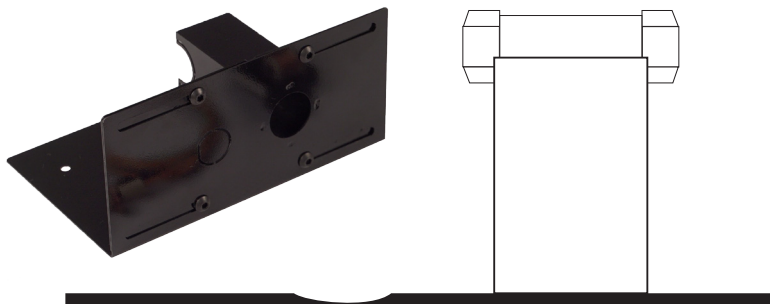
Flared Fitting



Spark Igniter (PB-SI)



Push Button Module (PB-CM)



Mounting Bracket (PBMBR)