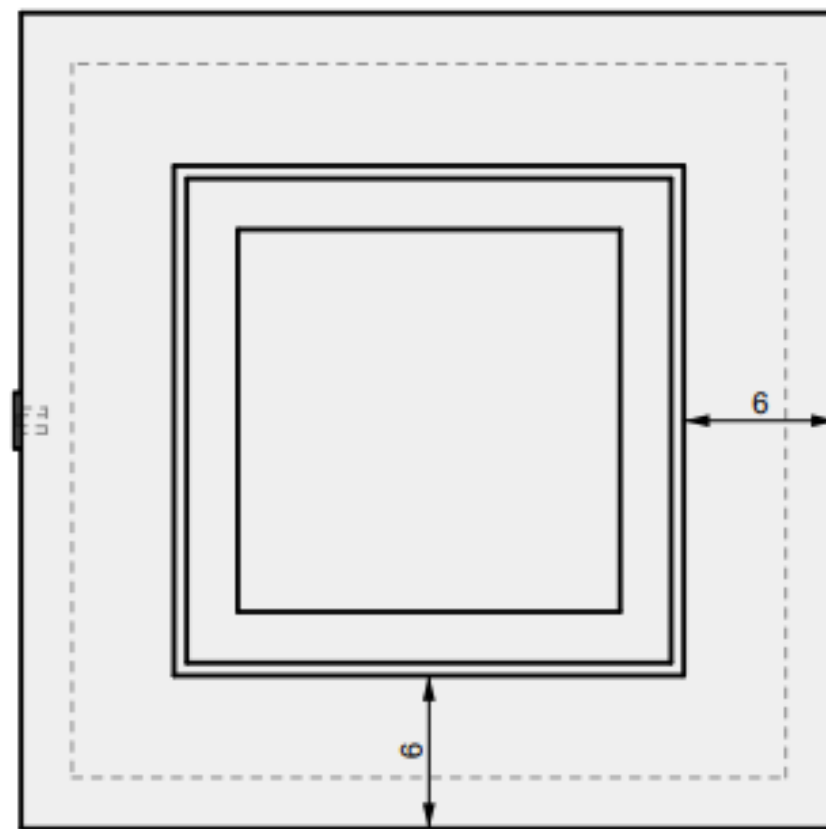
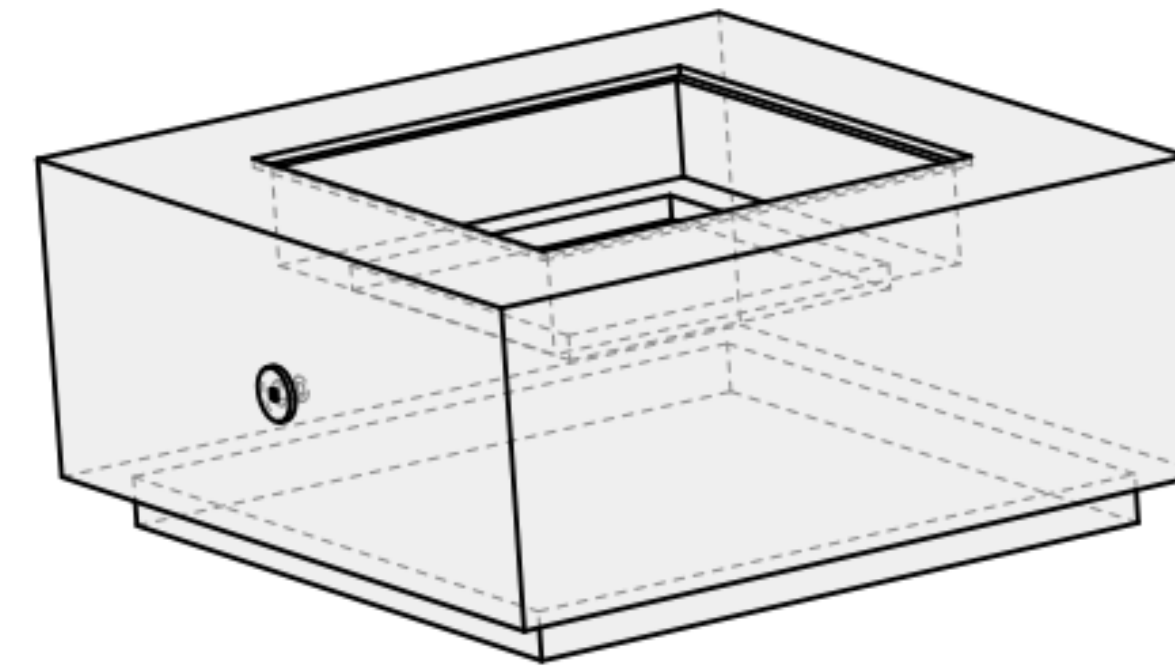


32 INCH

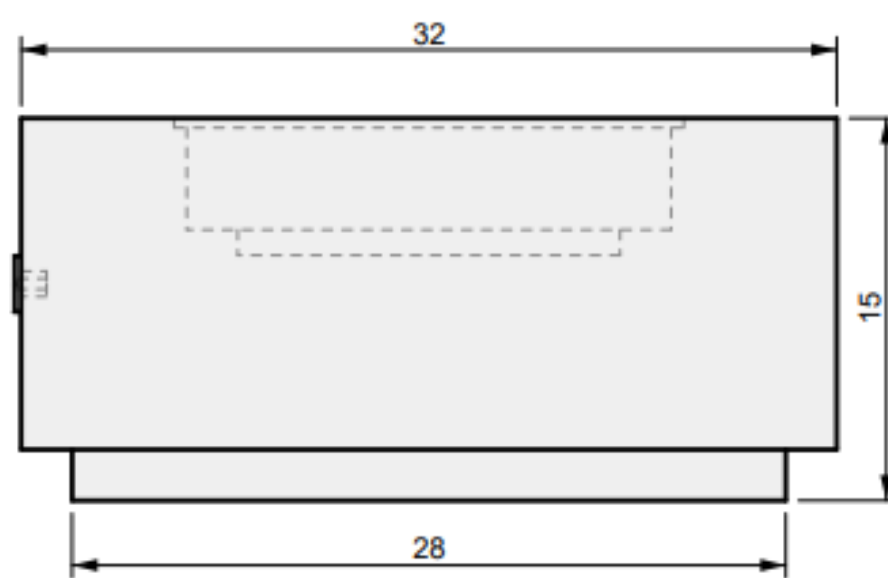
Cubo Fire Table



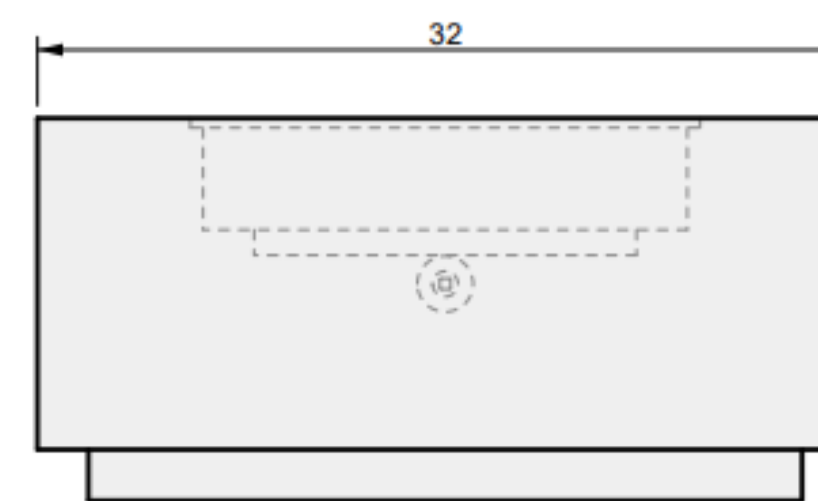
01 TOP VIEW



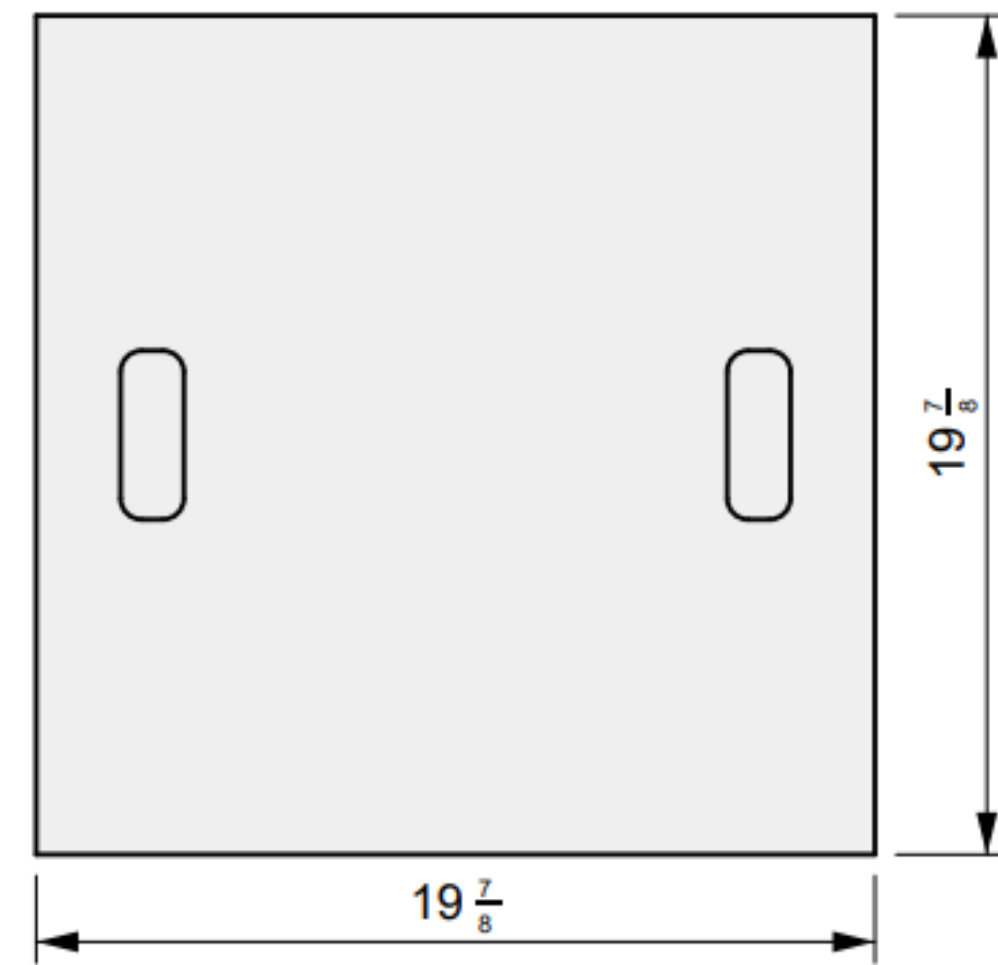
04 PERSPECTIVE



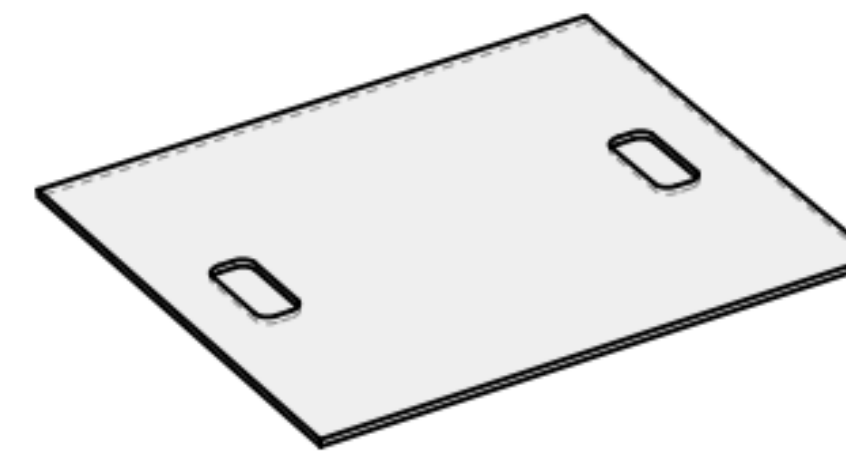
02 FRONT VIEW



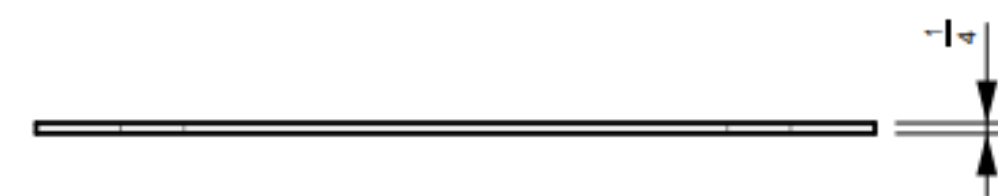
03 SIDE VIEW



01 TOP VIEW



03 PERSPECTIVE



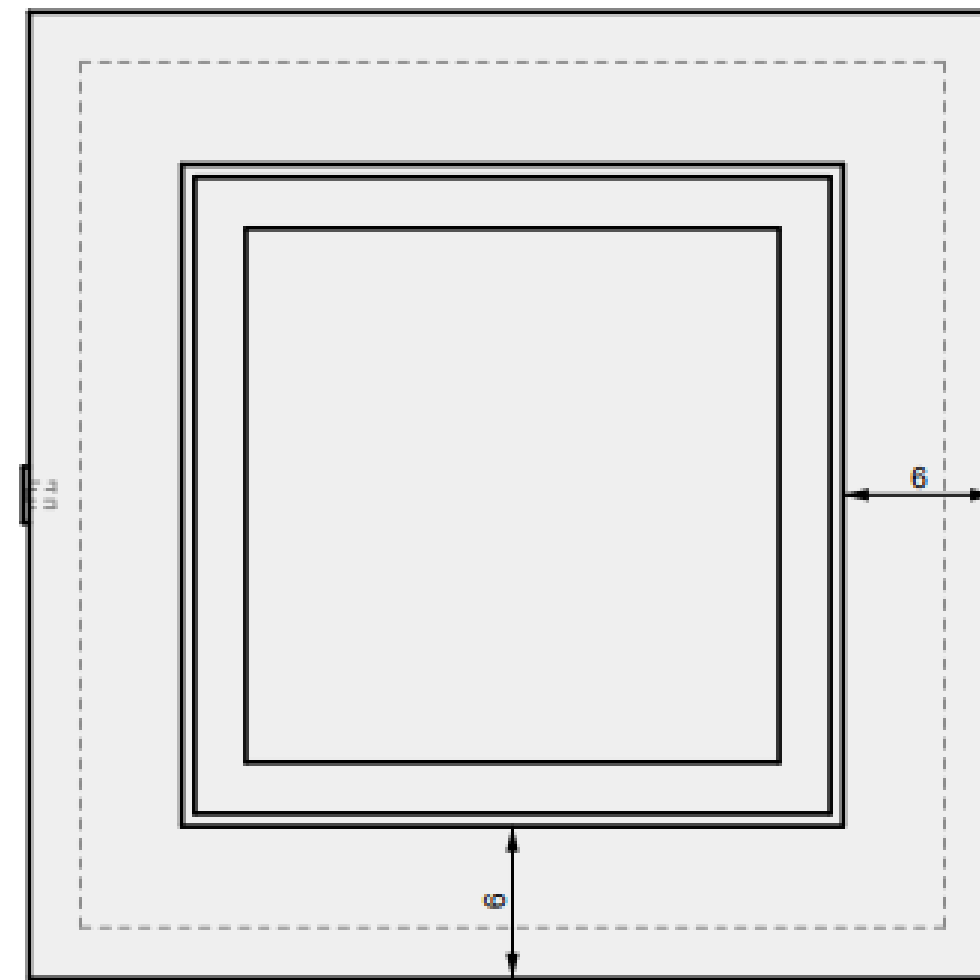
02 FRONT VIEW

ALUMINUM COVER

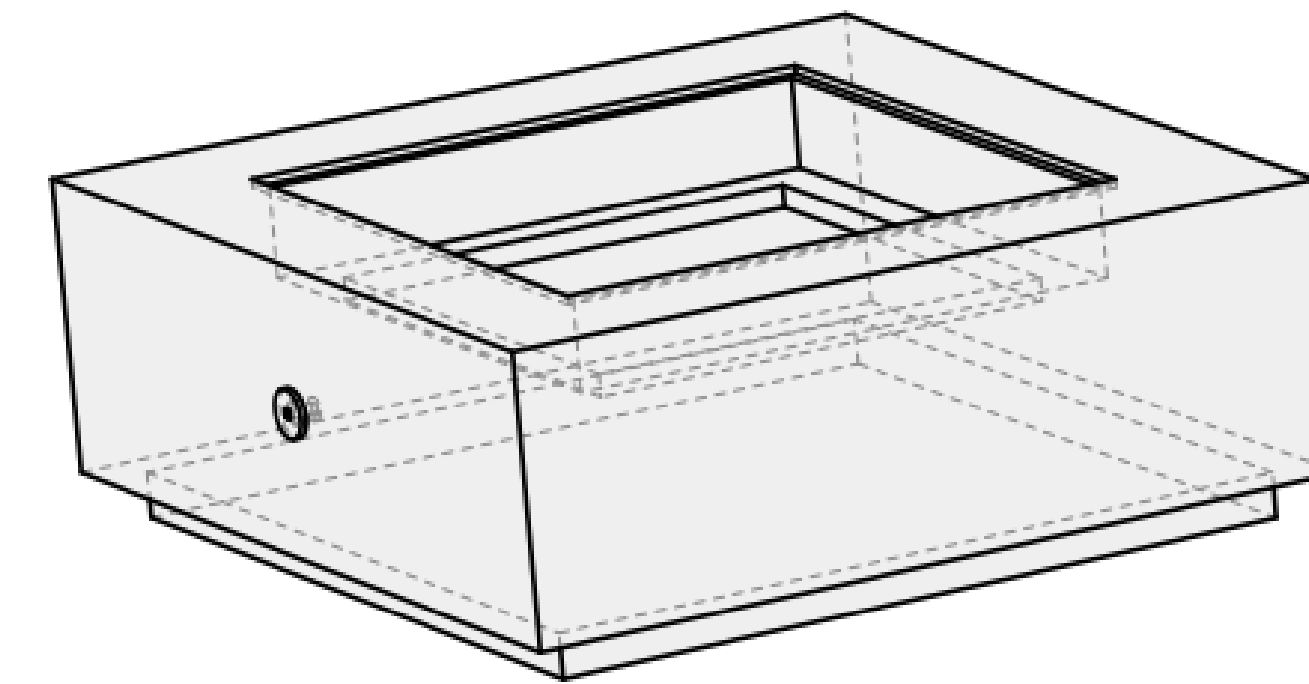
Cubo Fire Table
32"

38 INCH

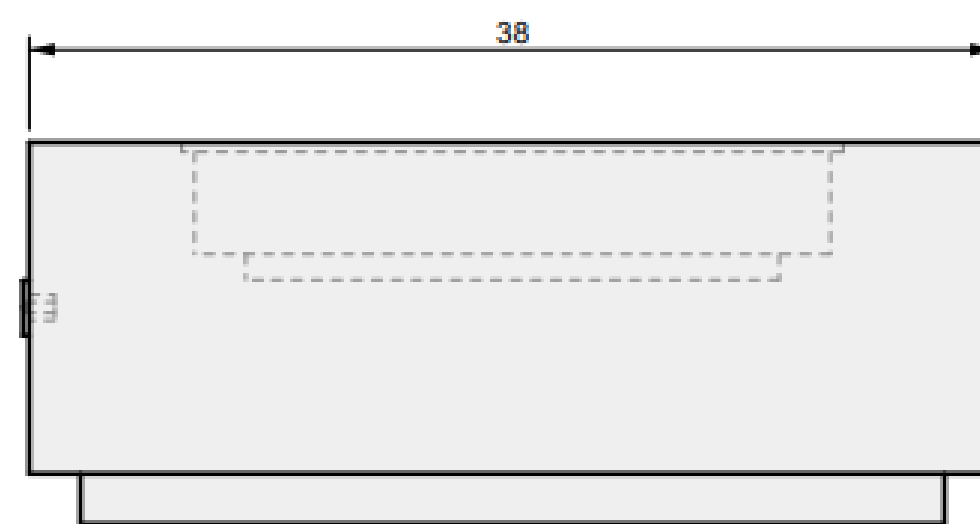
Cubo Fire Table



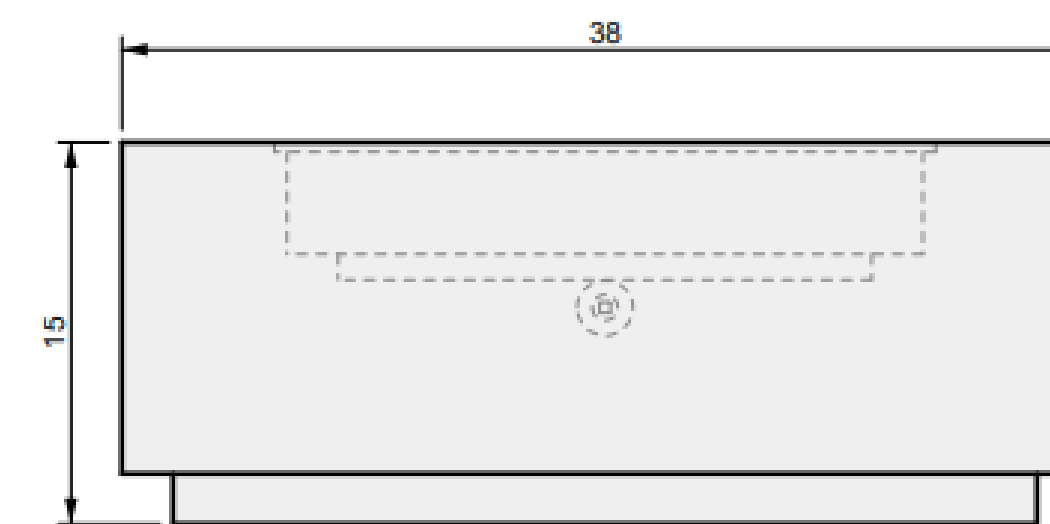
01 TOP VIEW



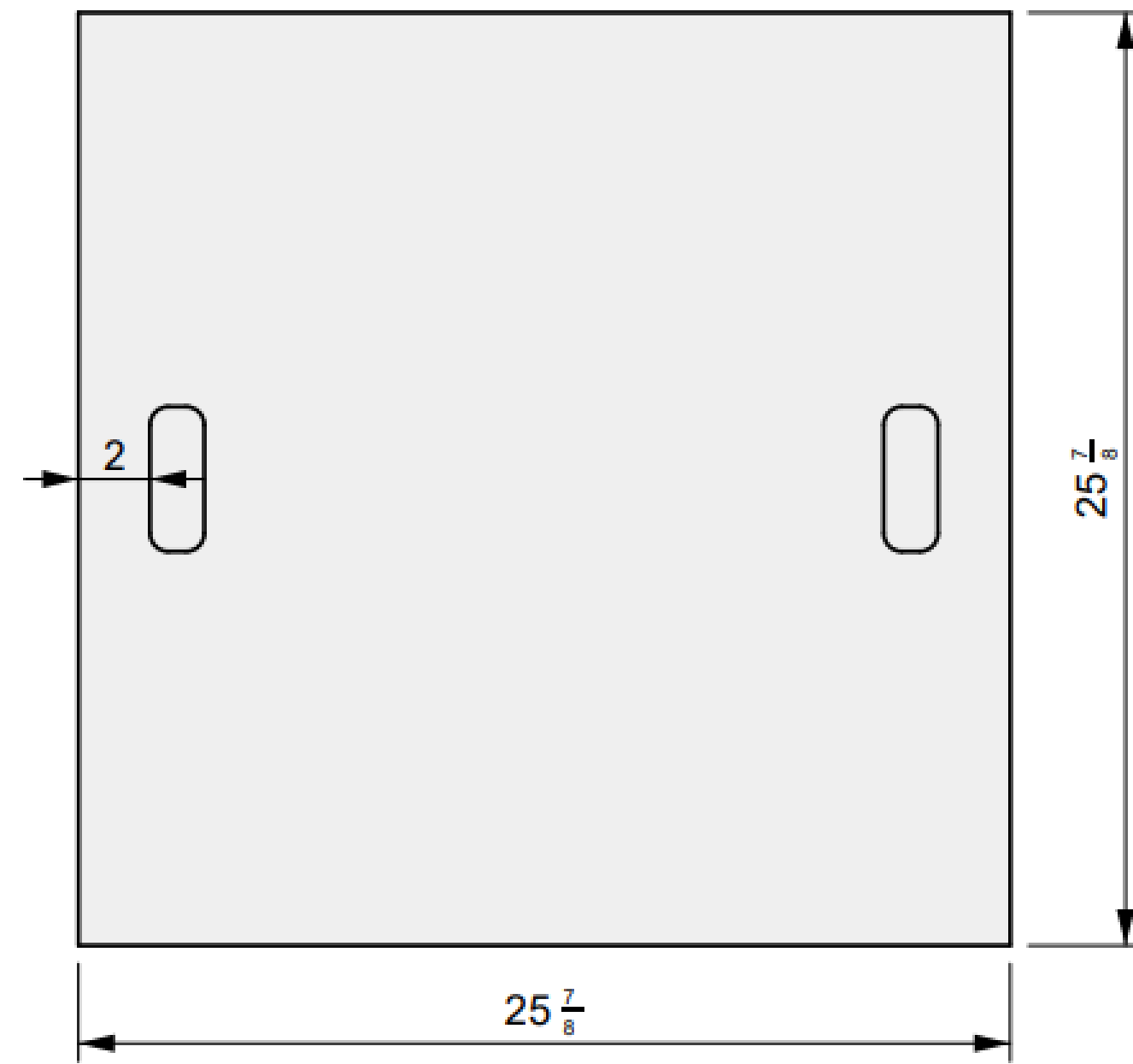
04 PERSPECTIVE



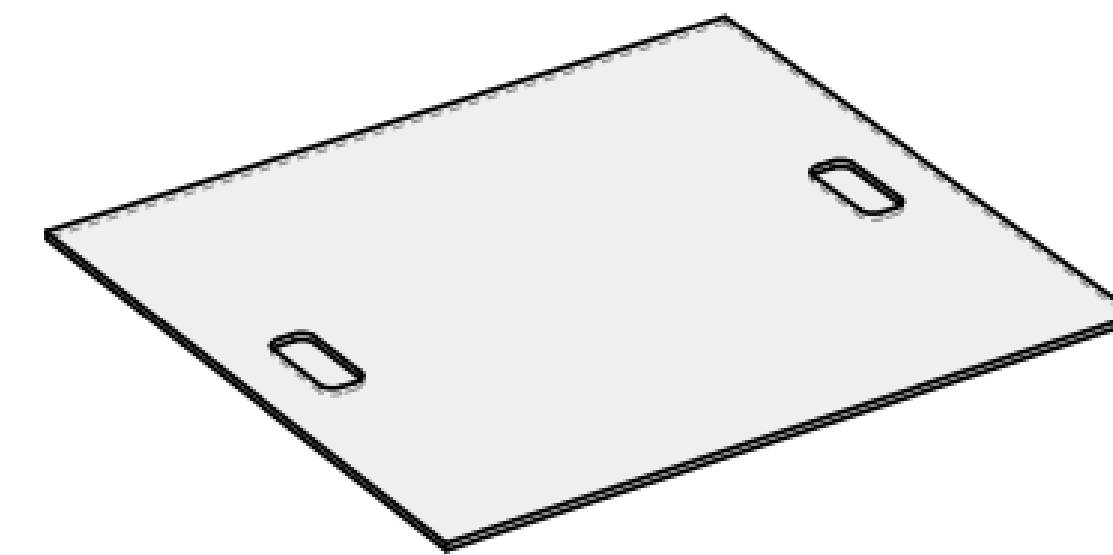
02 FRONT VIEW



03 SIDE VIEW



01 TOP VIEW



03 PERSPECTIVE



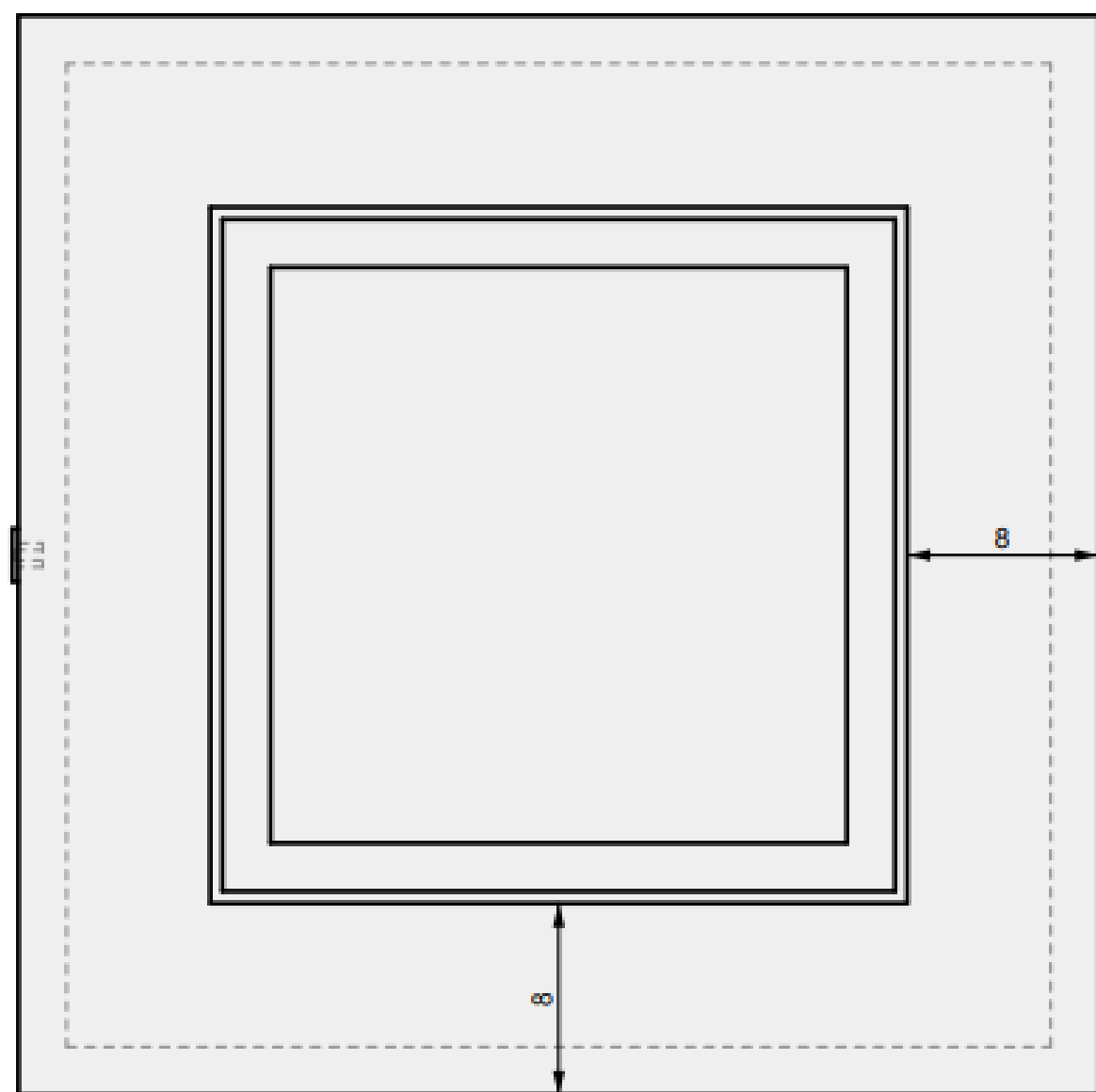
02 FRONT VIEW

ALUMINUM COVER

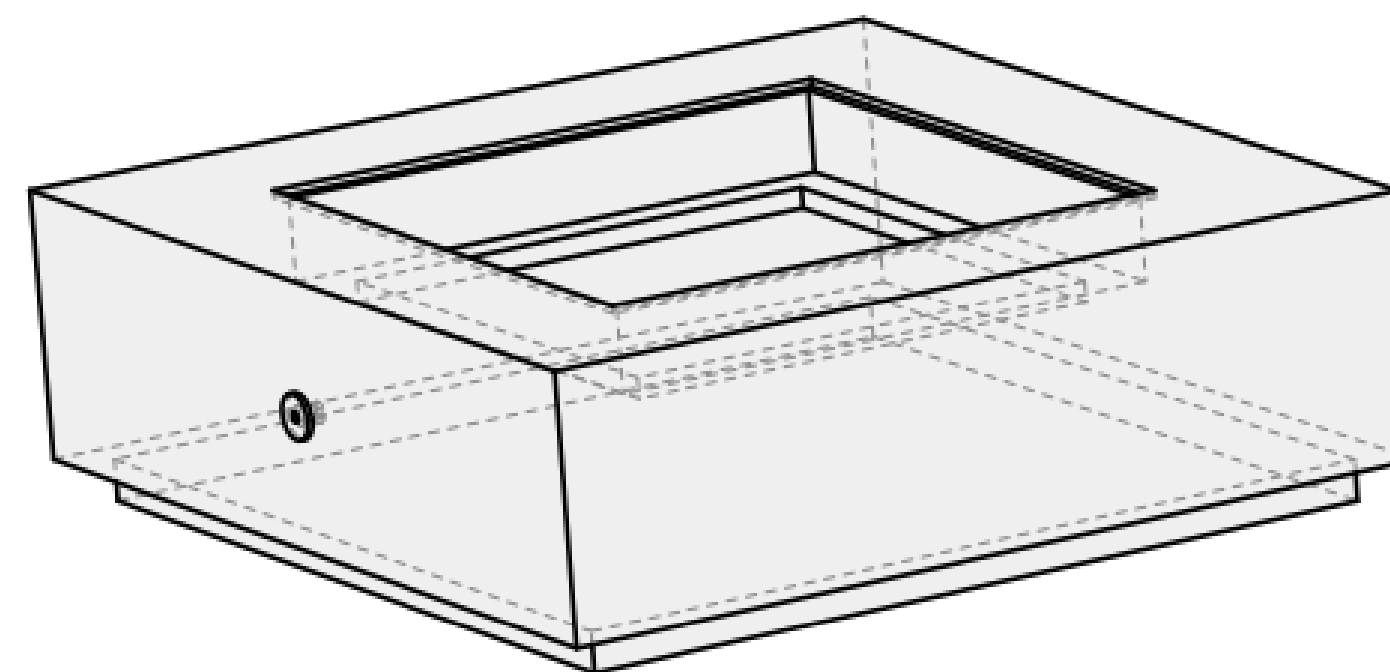
Cubo Fire Table
38"

45 INCH

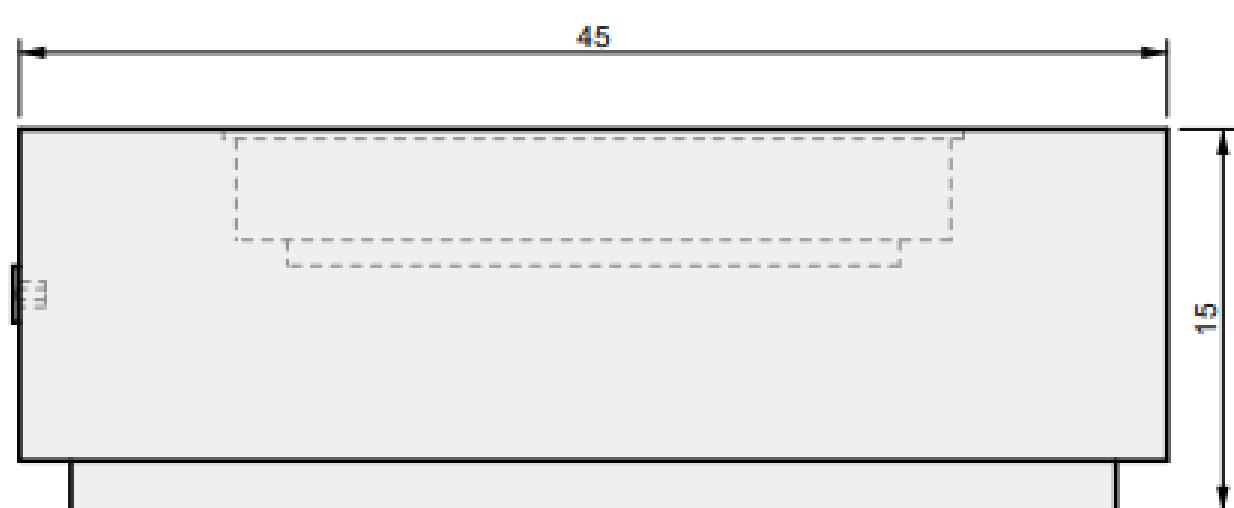
Cubo Fire Table



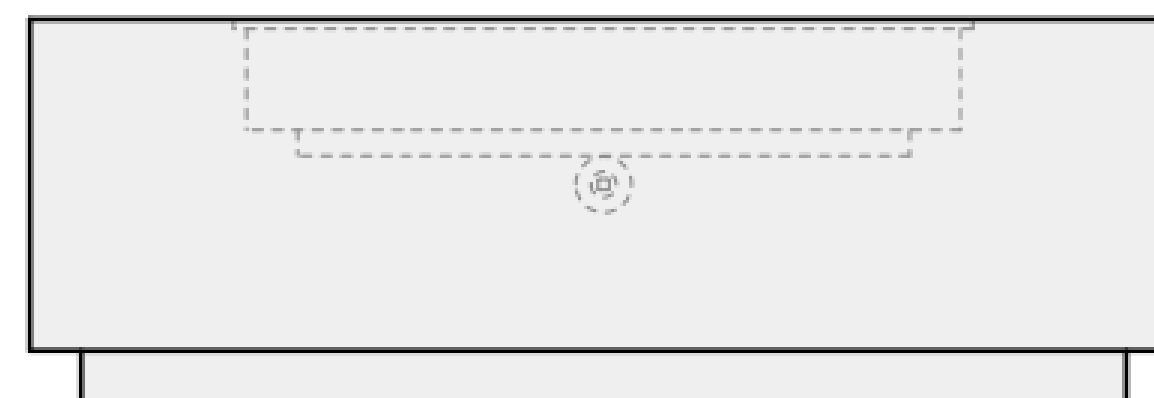
01 TOP VIEW



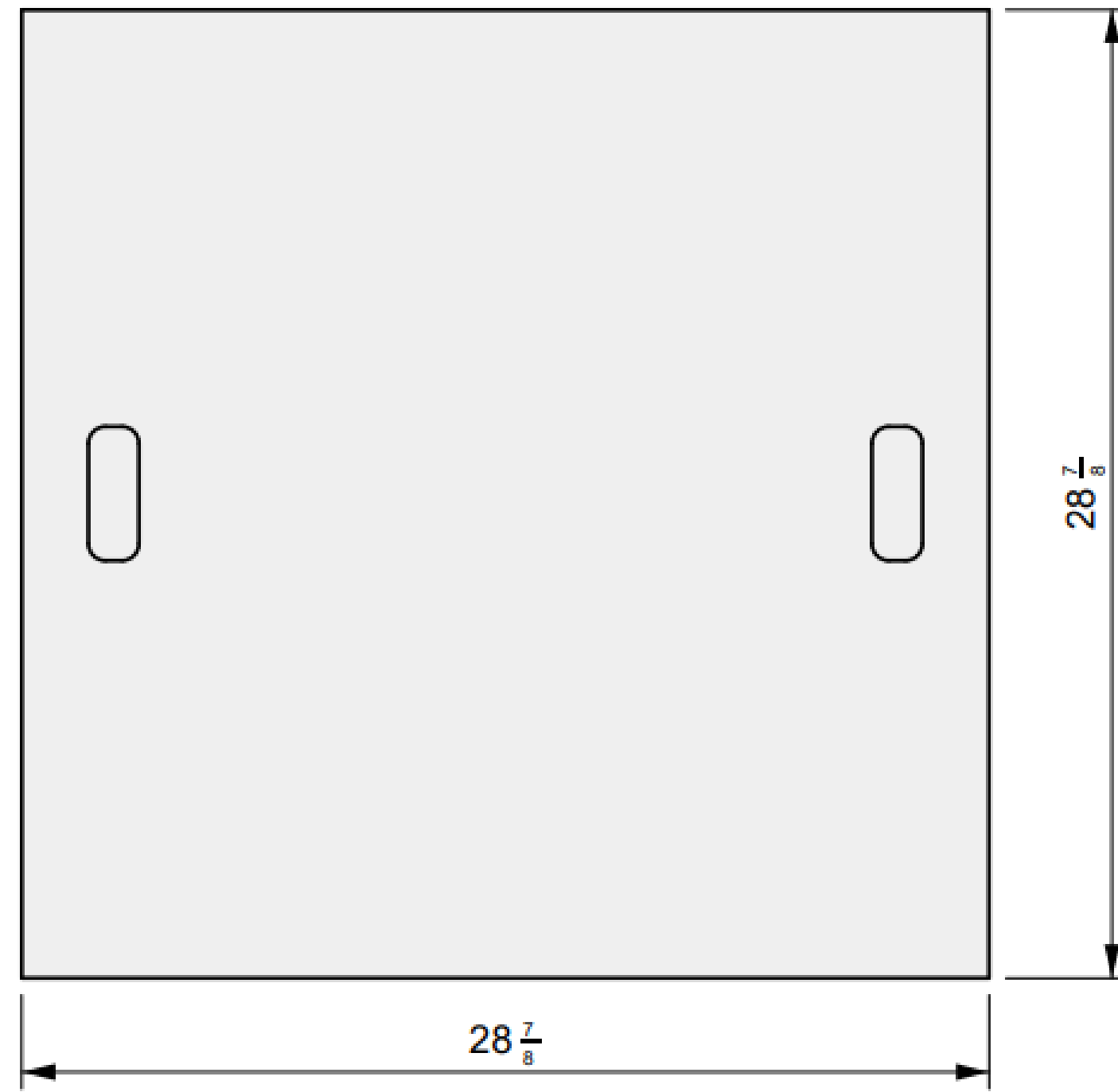
04 PERSPECTIVE



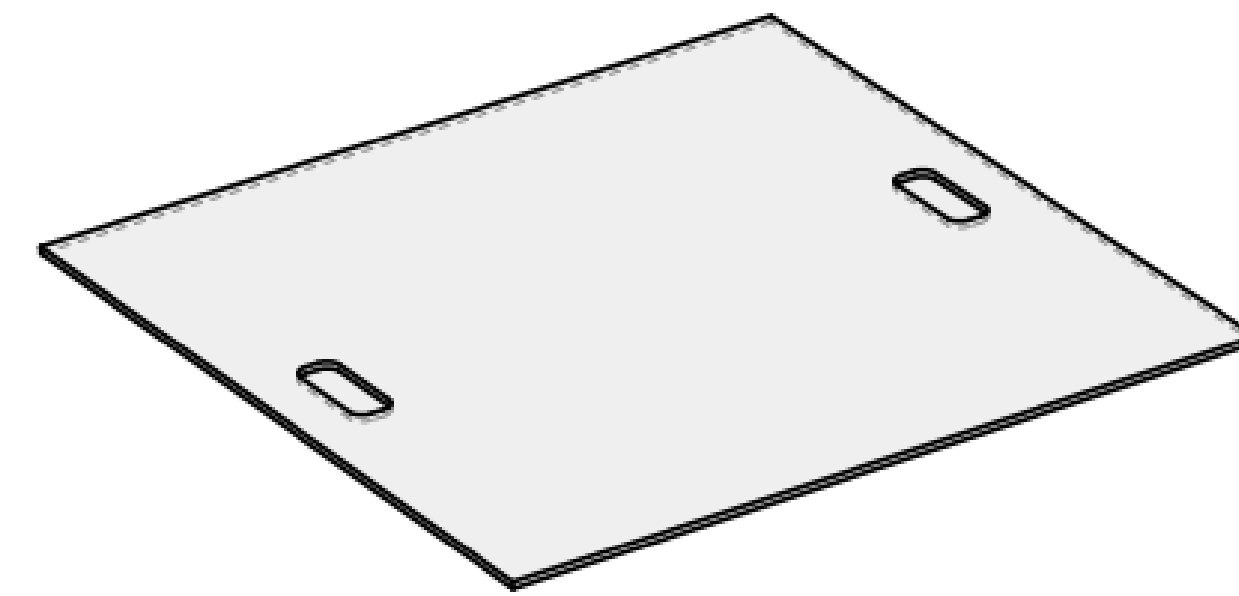
02 FRONT VIEW



03 SIDE VIEW



01 TOP VIEW



03 PERSPECTIVE



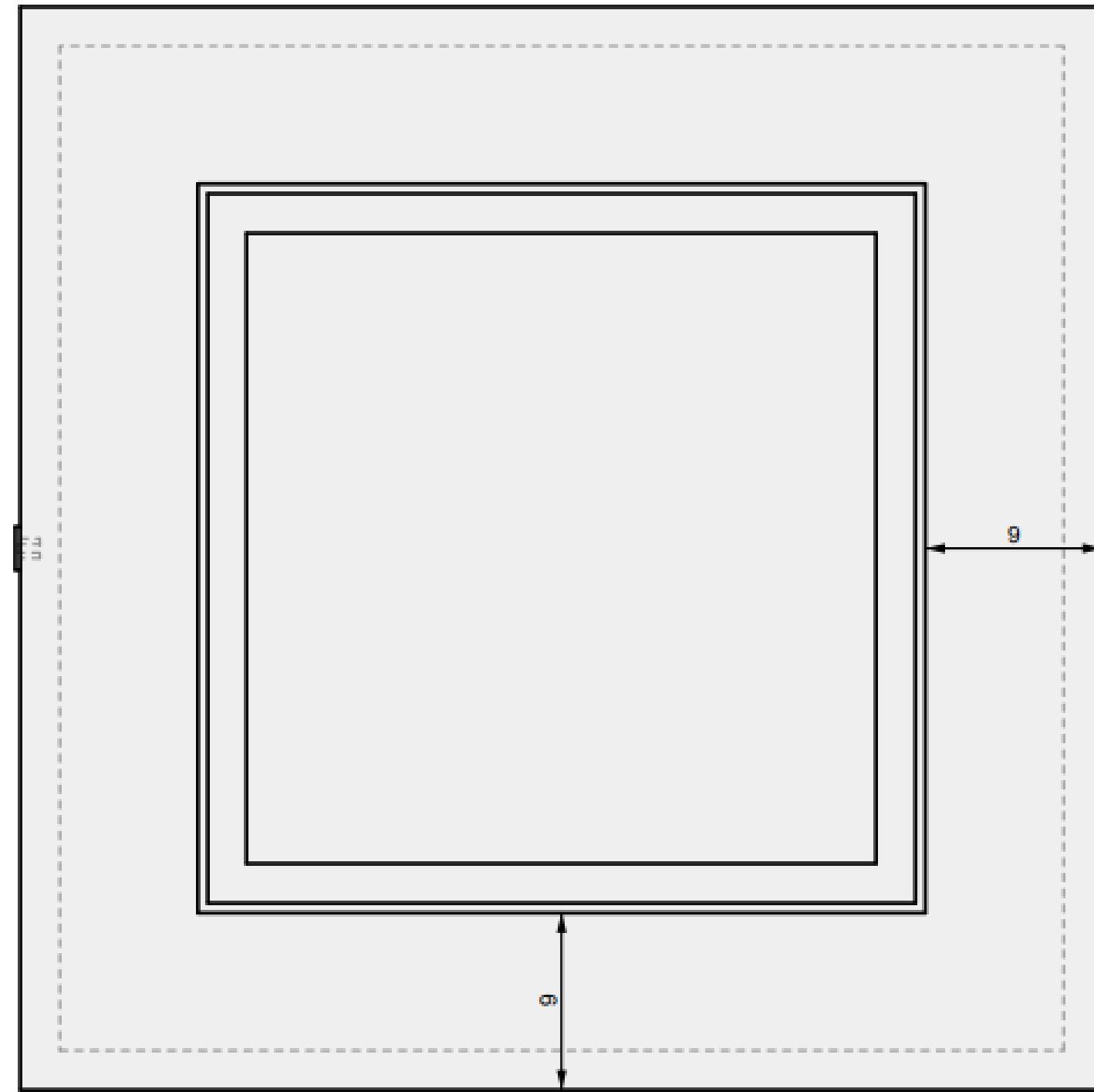
02 FRONT VIEW

ALUMINUM COVER

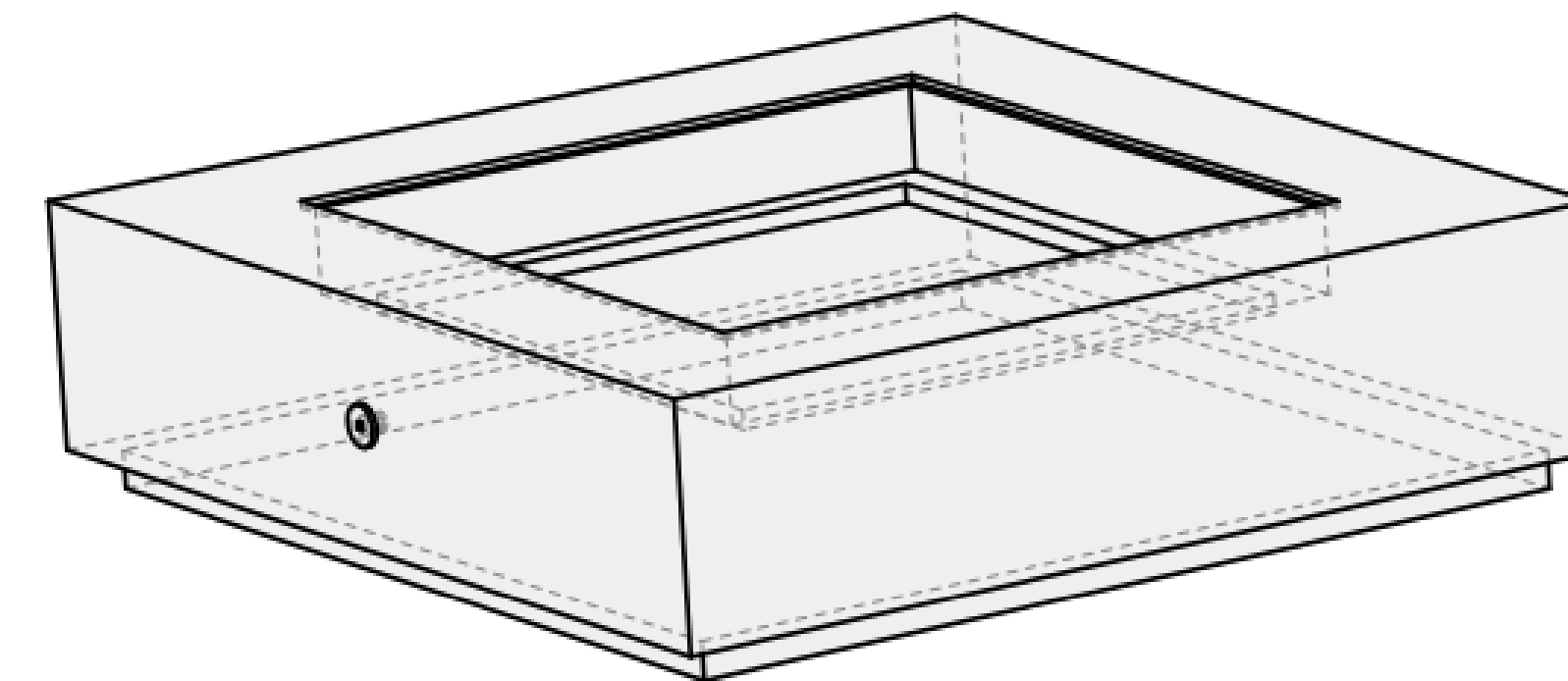
Cubo Fire Table
45"

55 INCH

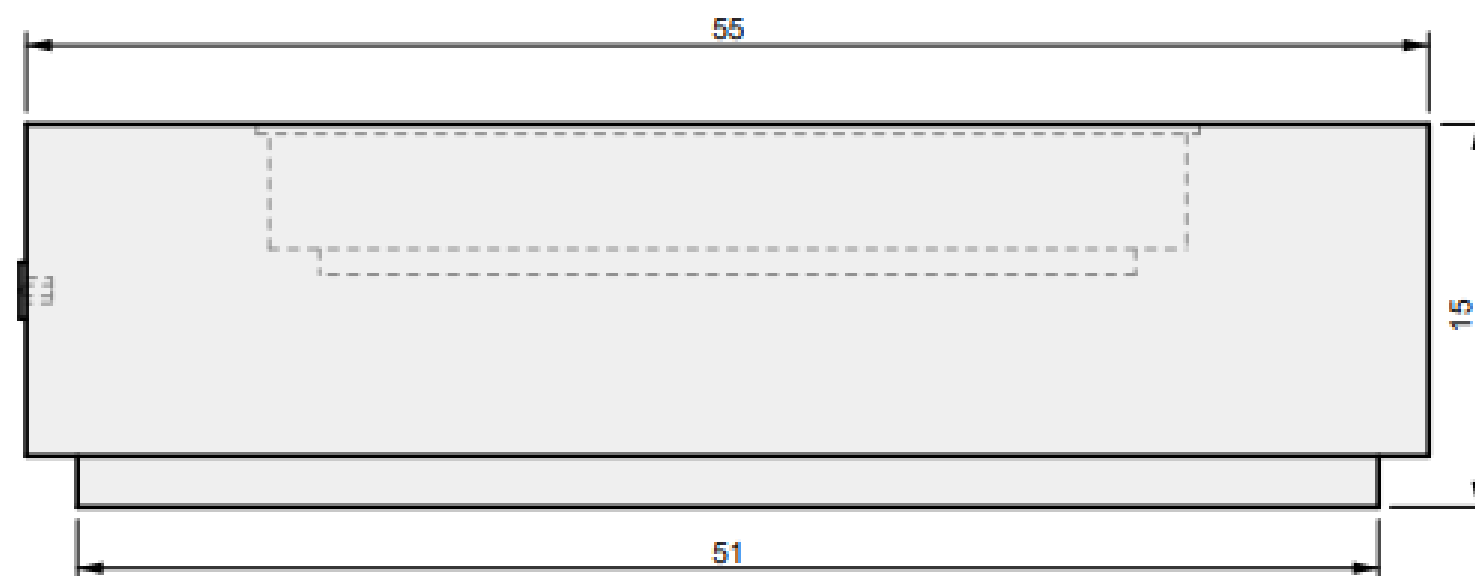
Cubo Fire Table



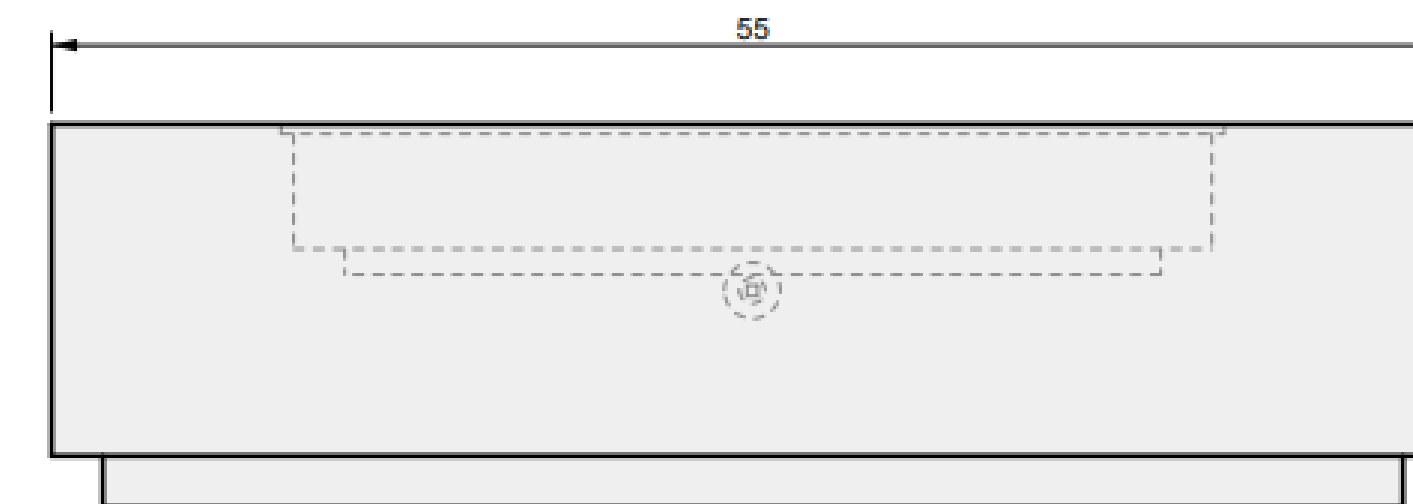
01 TOP VIEW



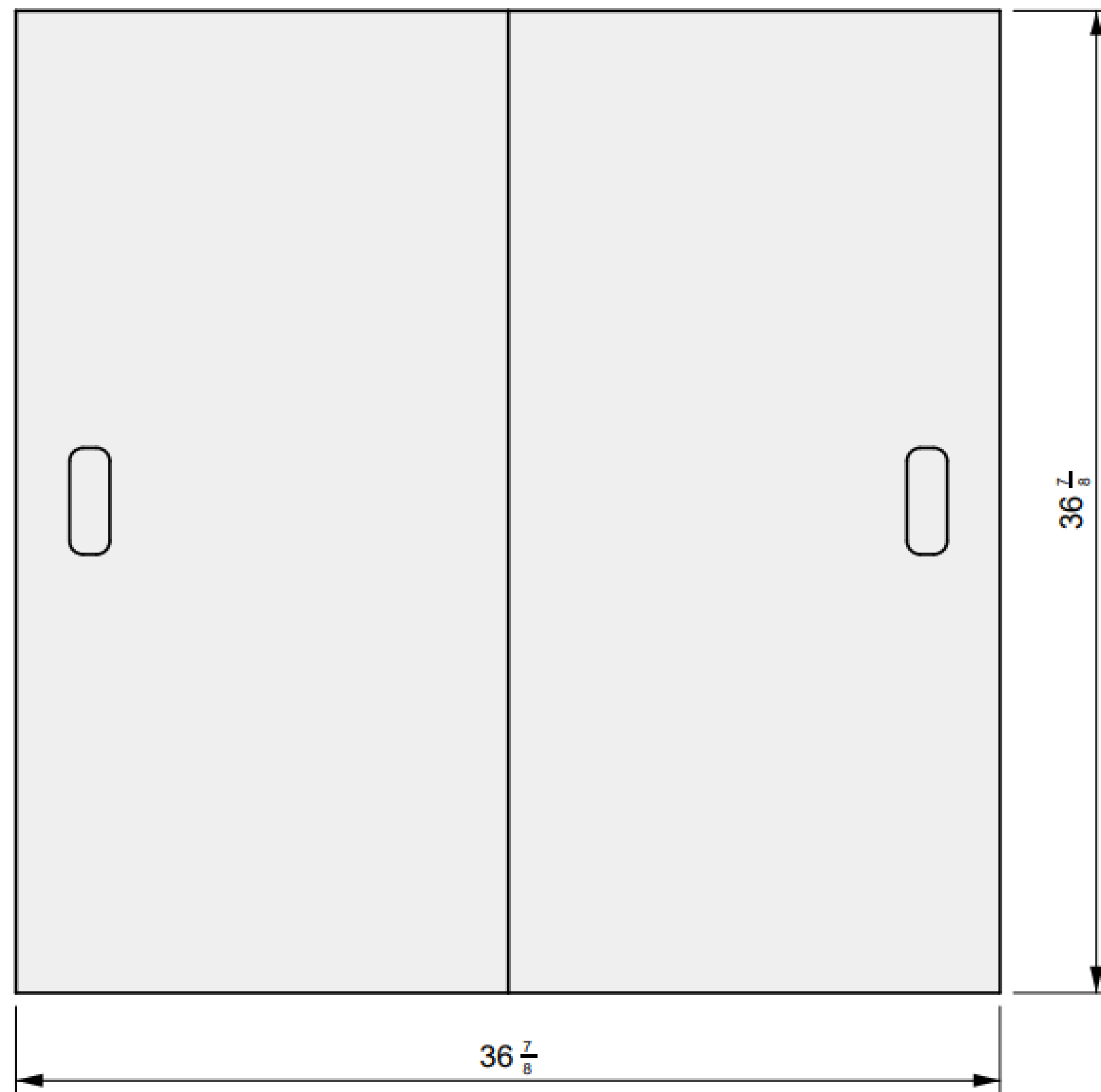
04 PERSPECTIVE



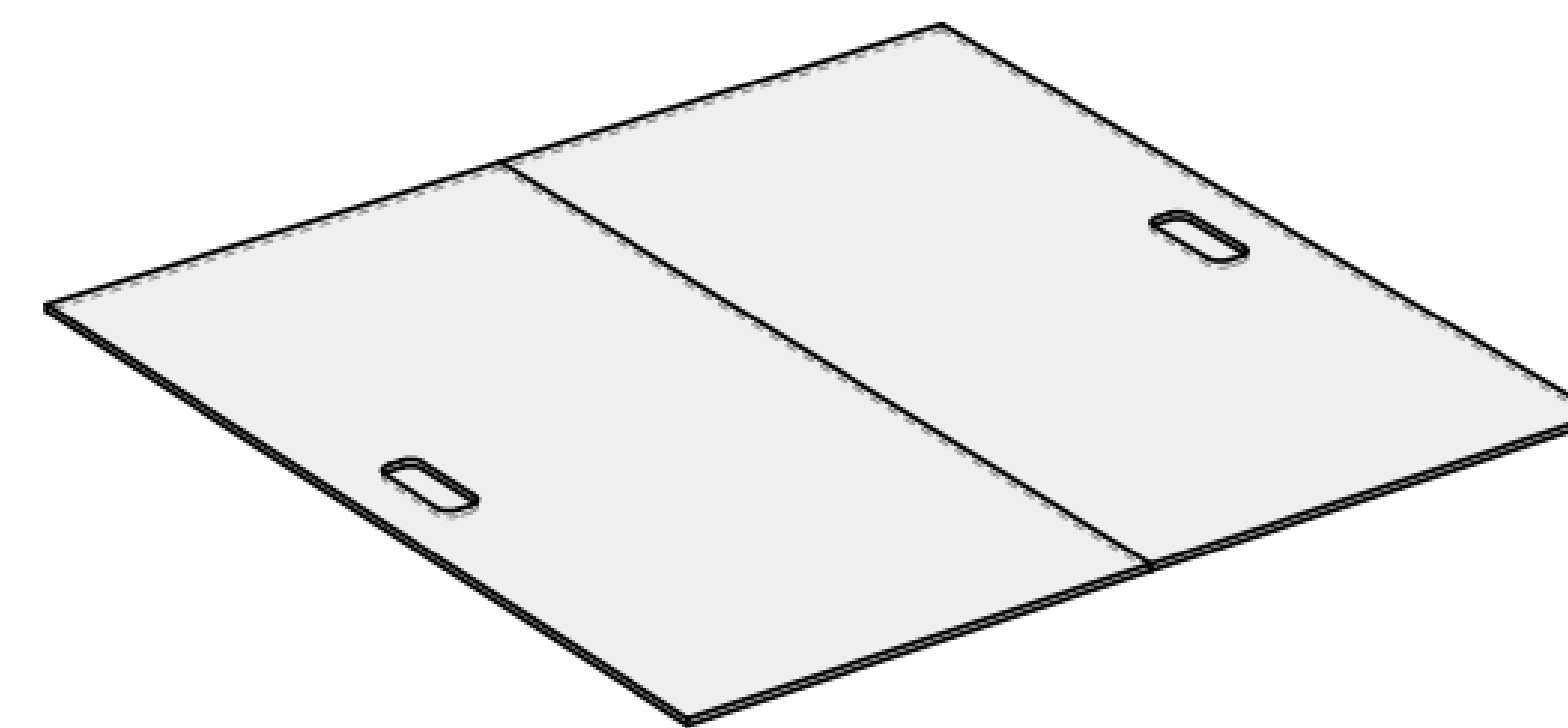
02 FRONT VIEW



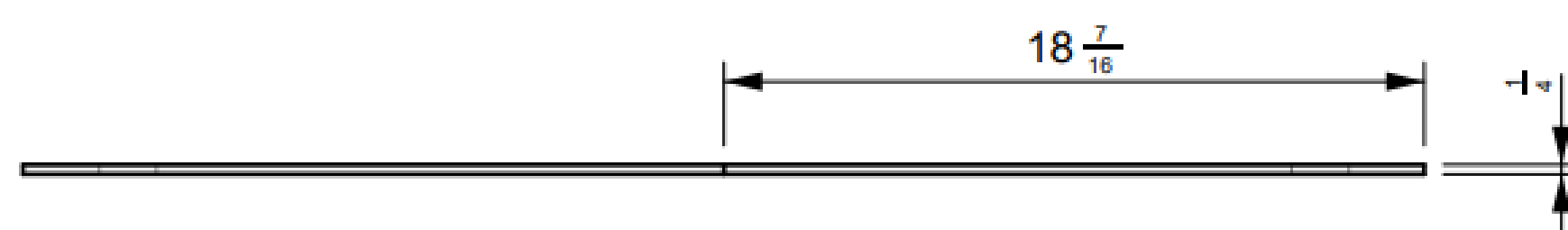
03 SIDE VIEW



01 TOP VIEW



03 PERSPECTIVE



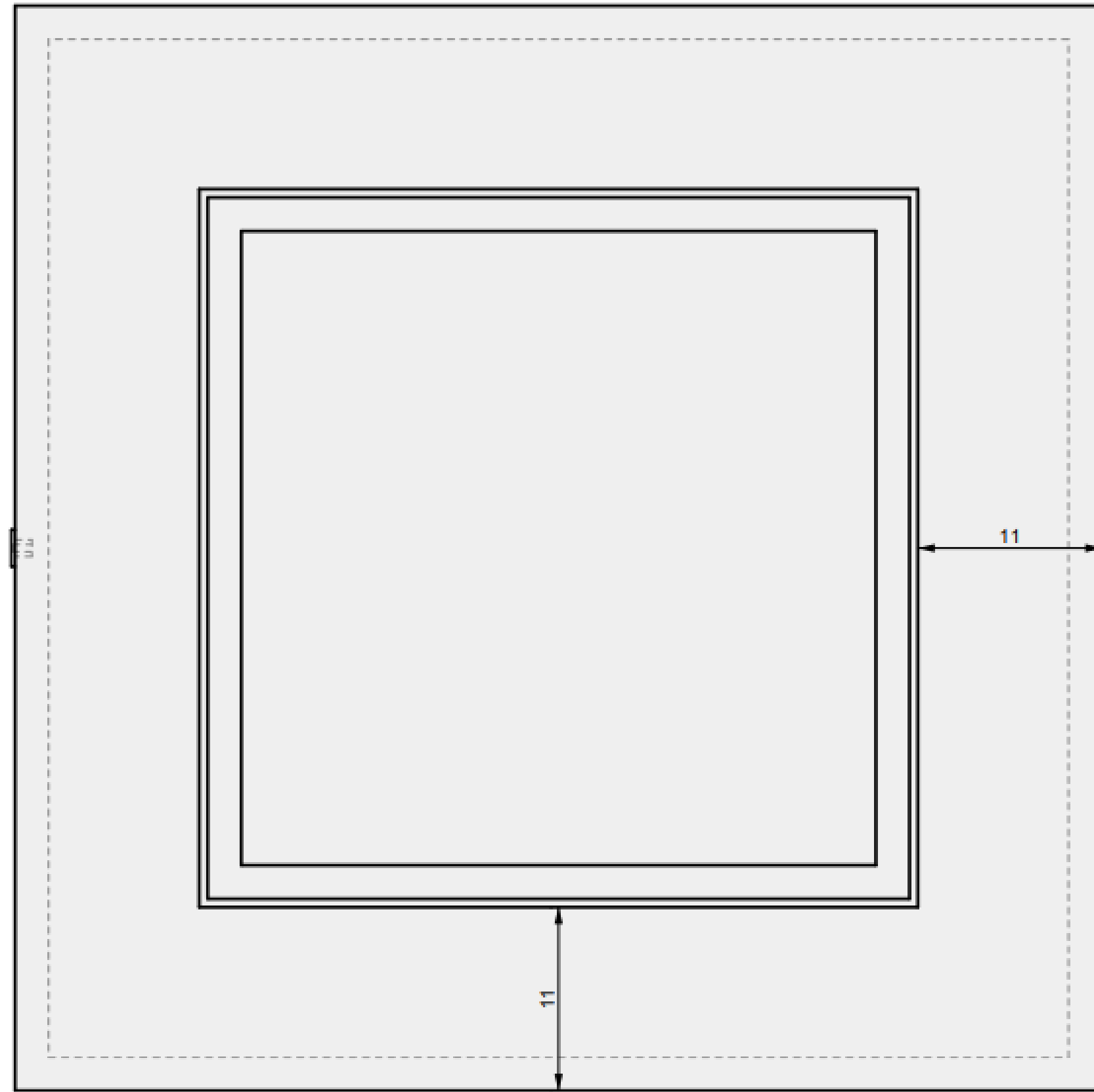
02 FRONT VIEW

ALUMINUM COVER

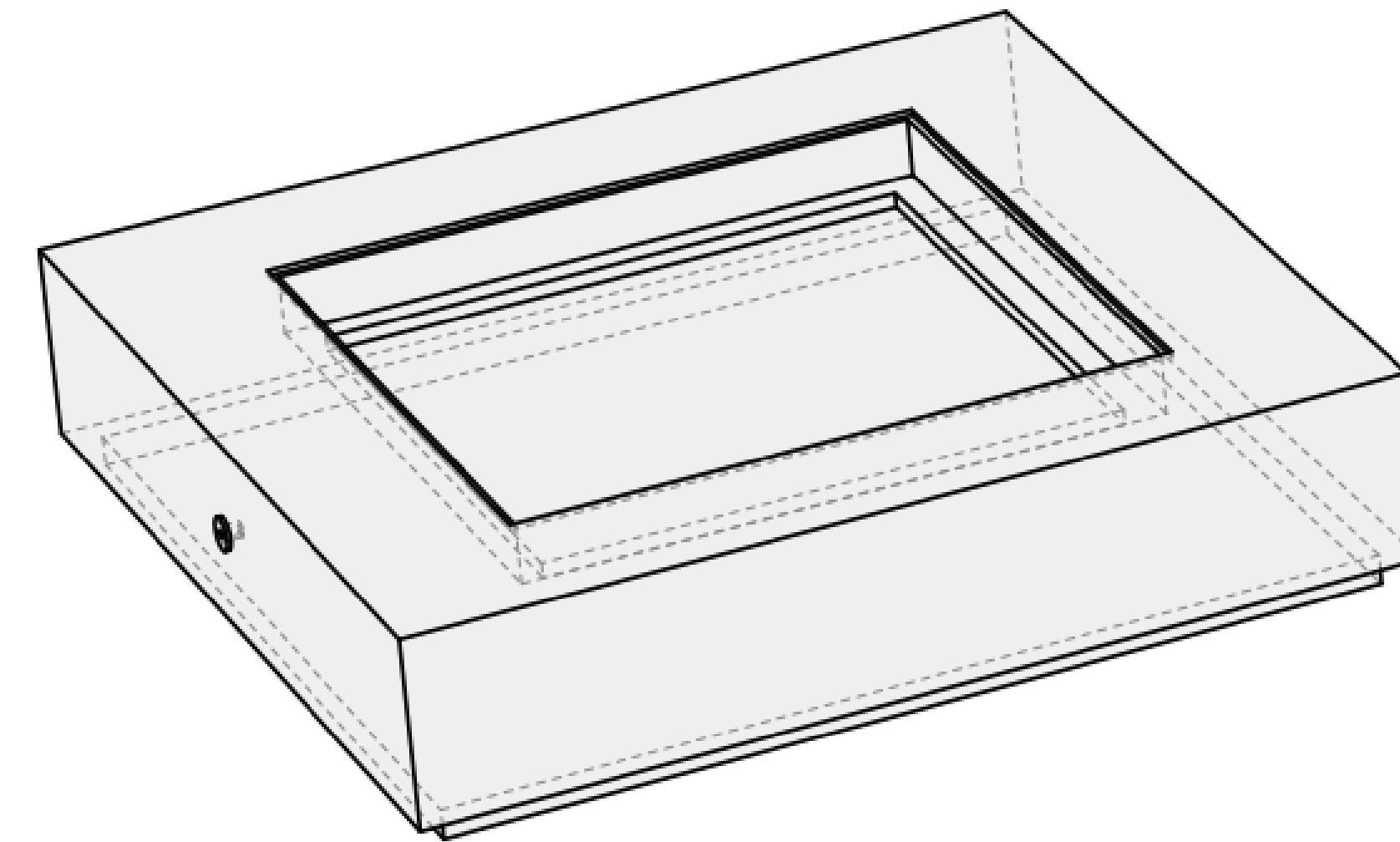
Cubo Fire Table
55"

65 INCH

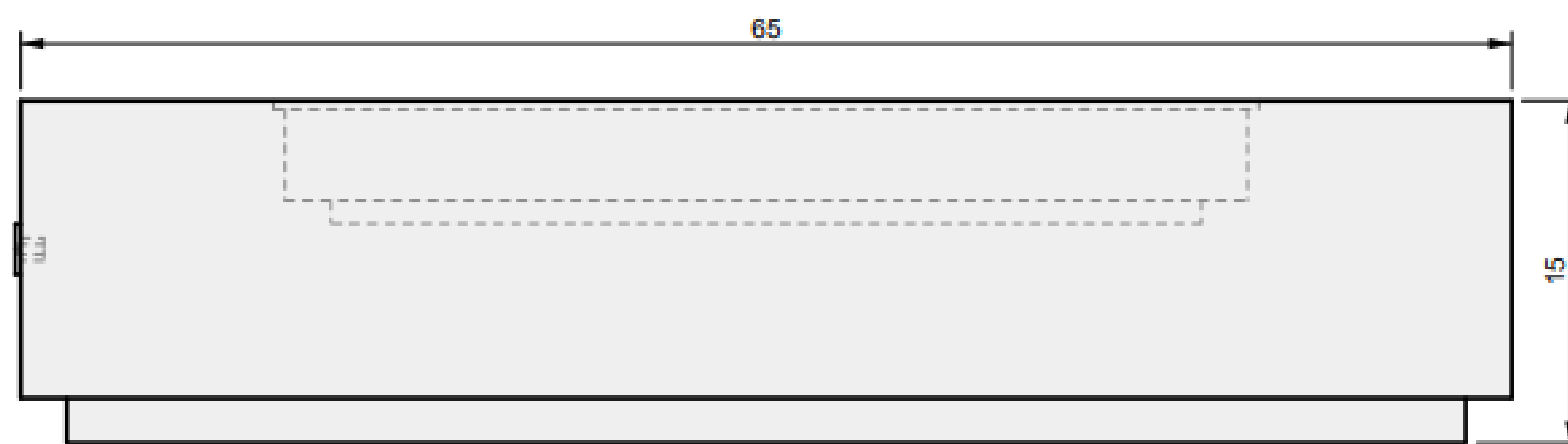
Cubo Fire Table



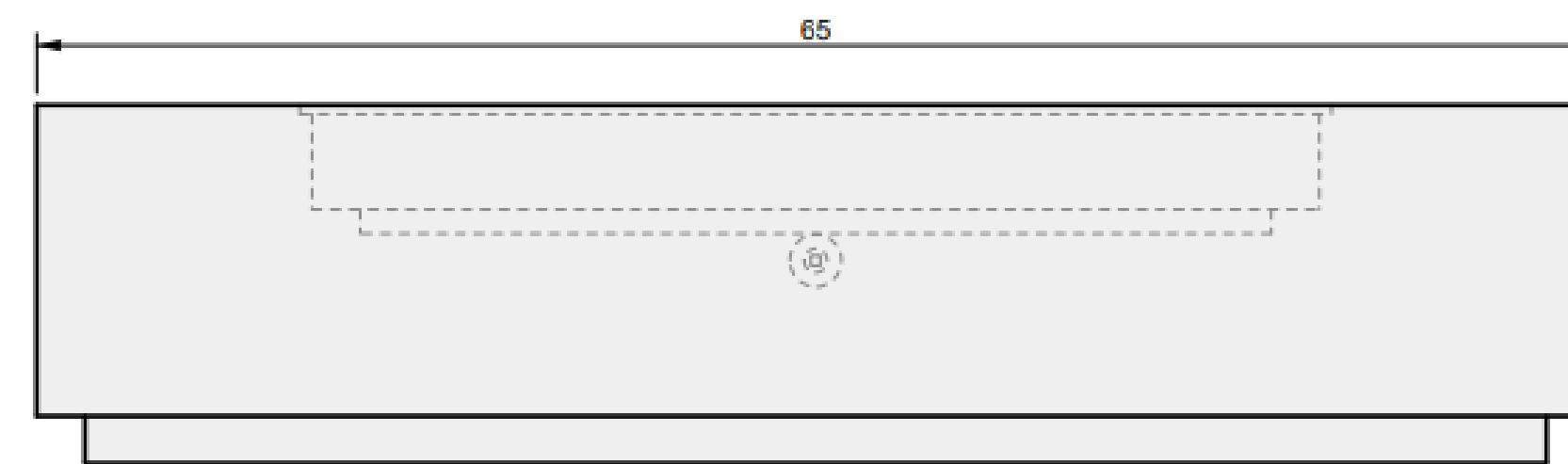
01 TOP VIEW



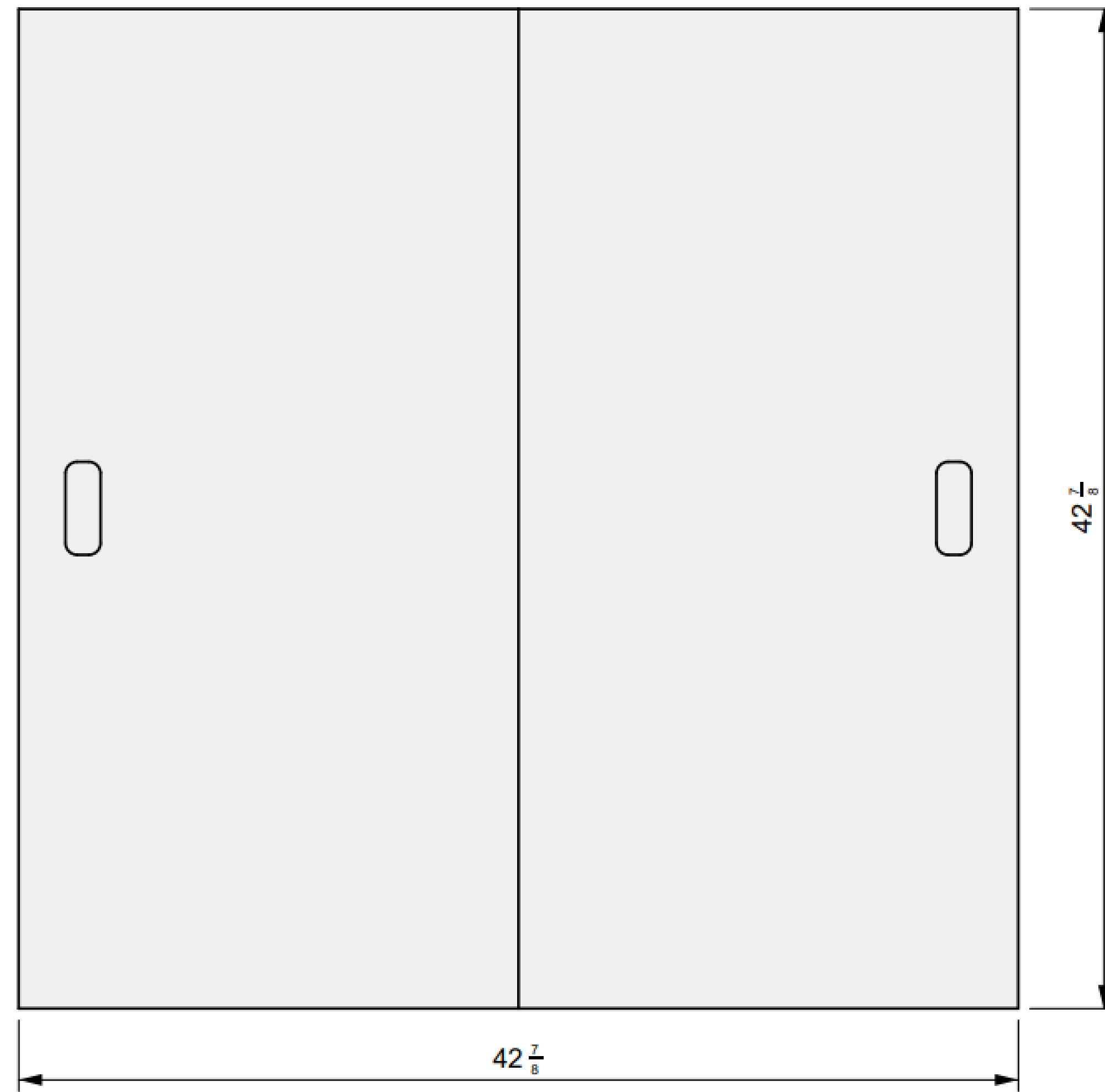
04 PERSPECTIVE



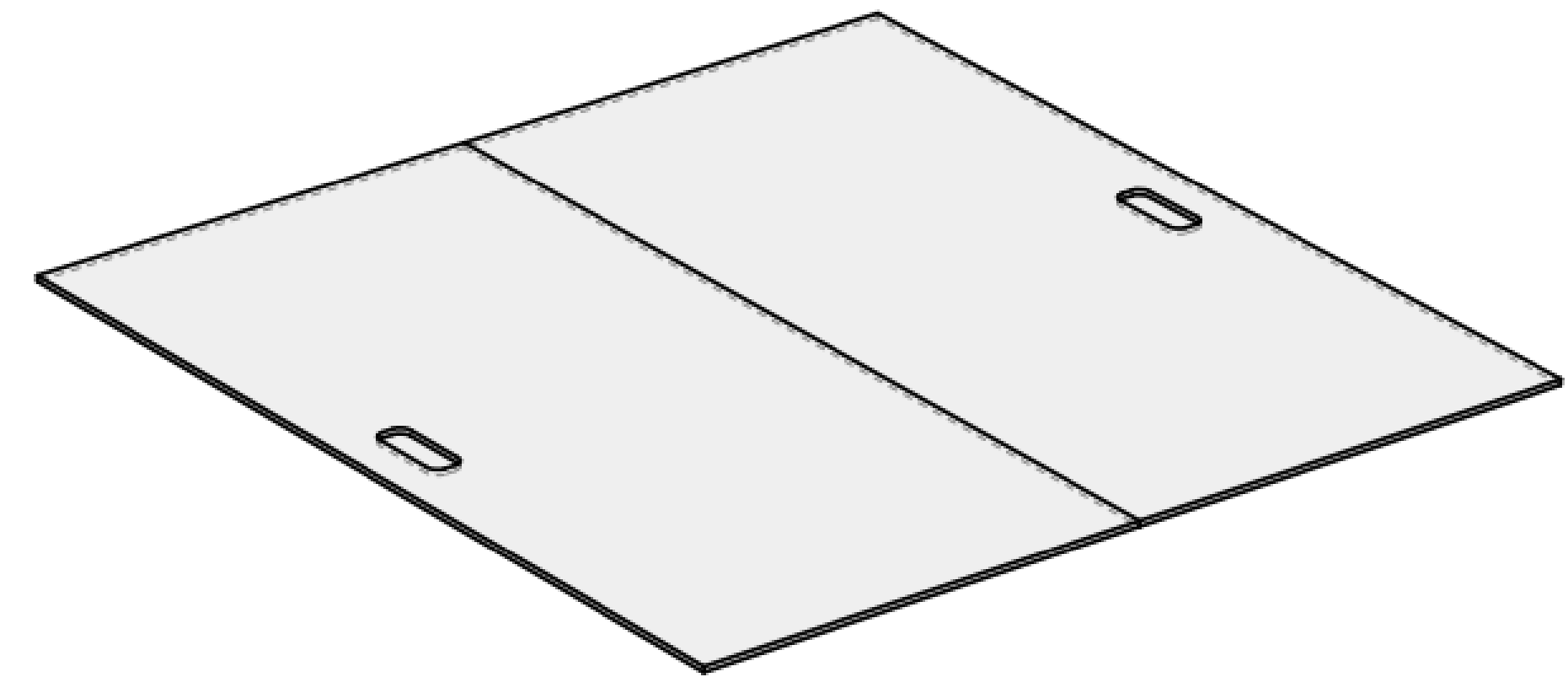
02 FRONT VIEW



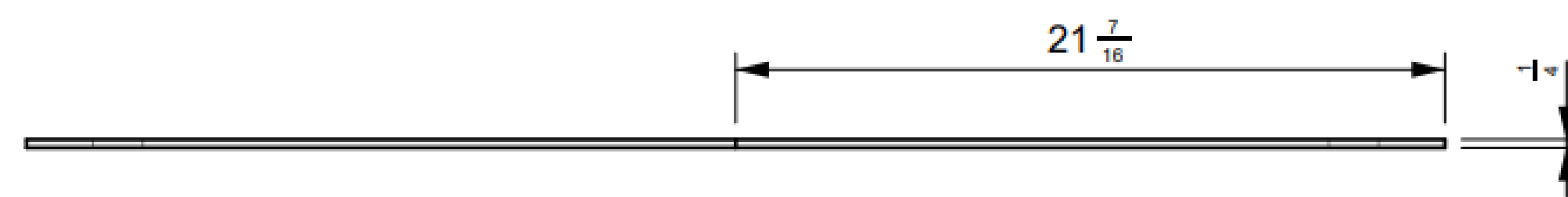
03 SIDE VIEW



01 TOP VIEW



03 PERSPECTIVE



02 FRONT VIEW

ALUMINUM COVER

Cubo Fire Table
65"