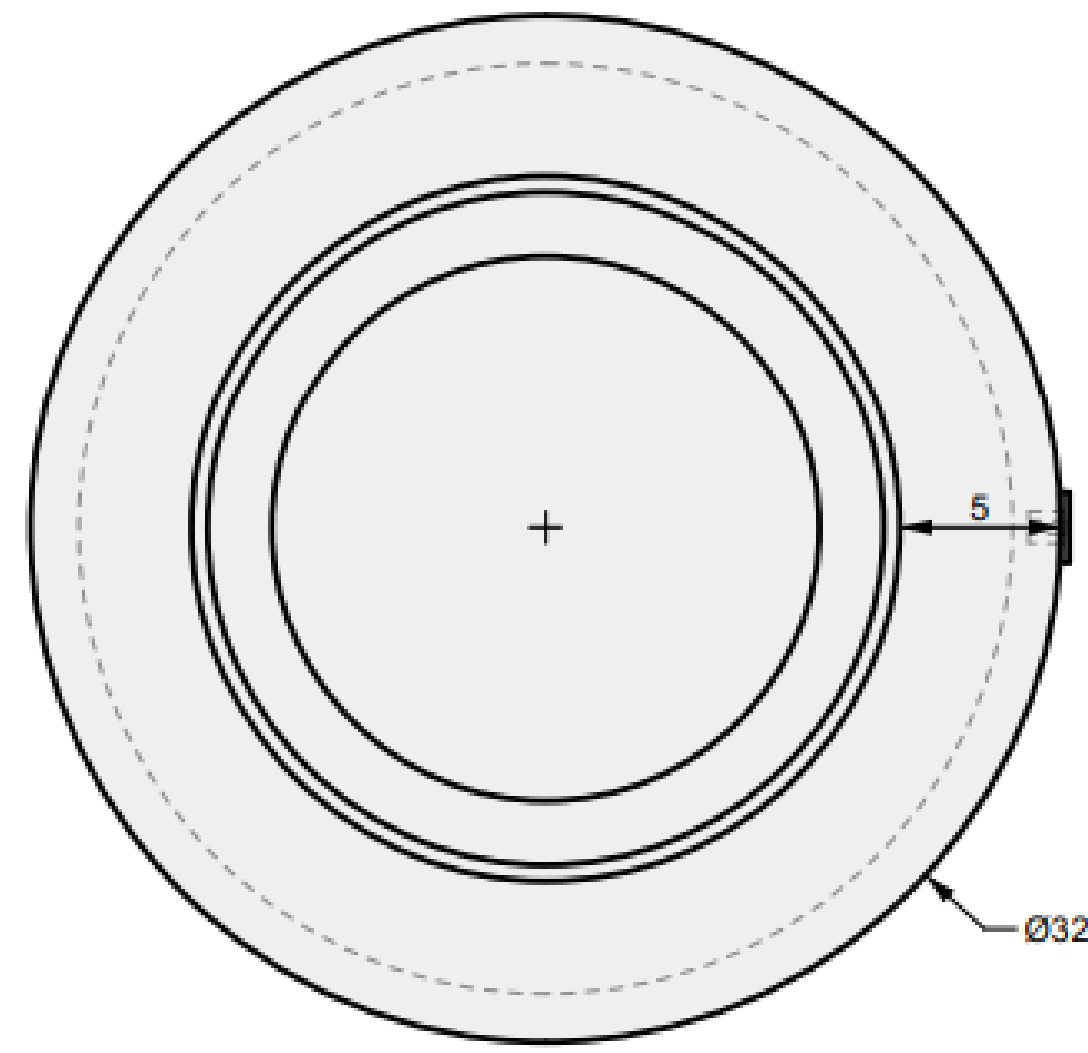
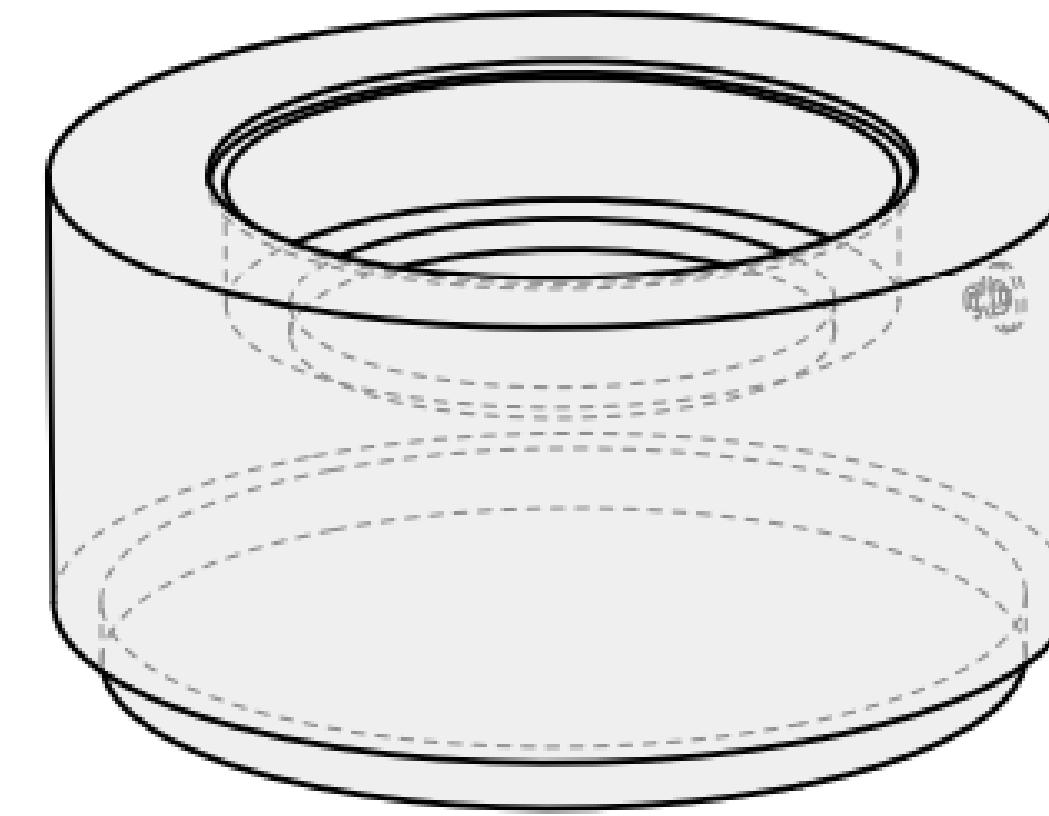


# 32 INCH

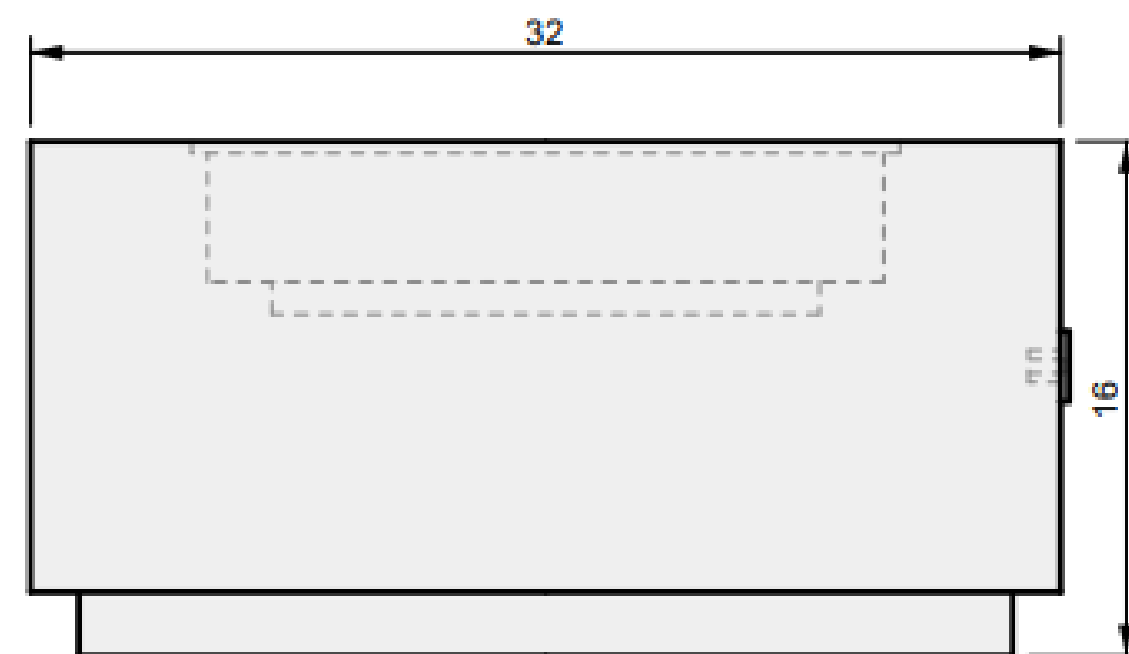
## Oblica Fire Table



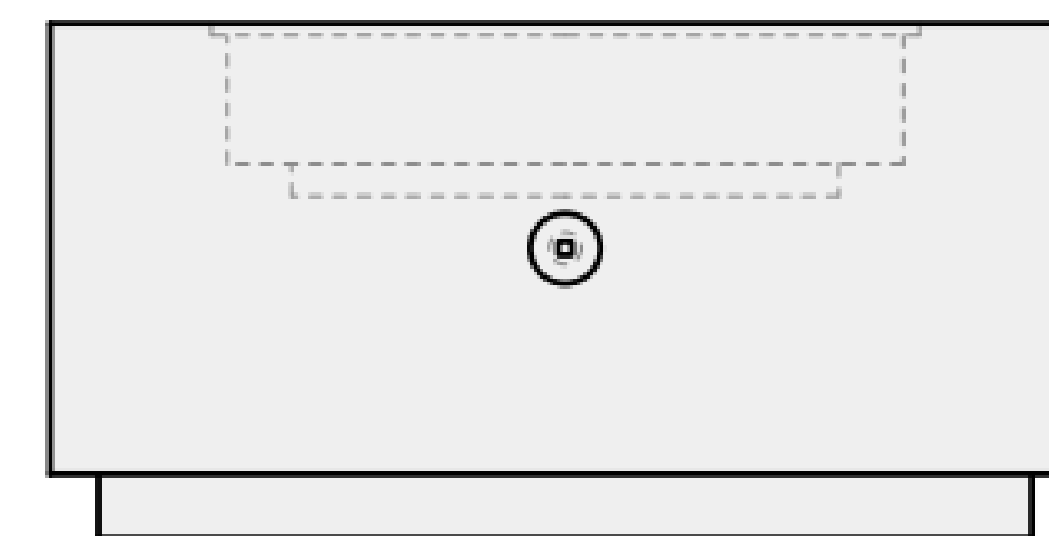
01 TOP VIEW



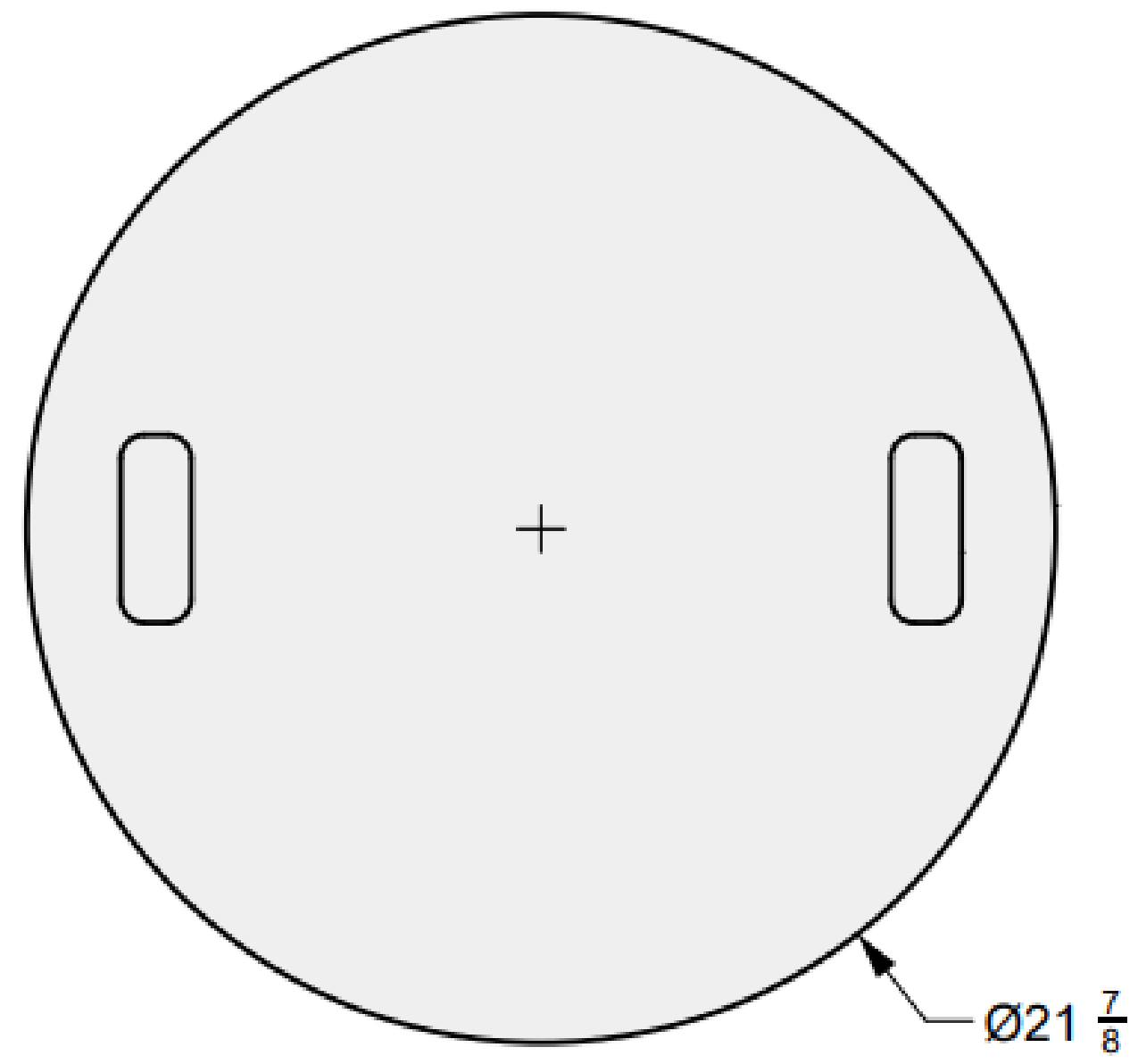
04 PERSPECTIVE



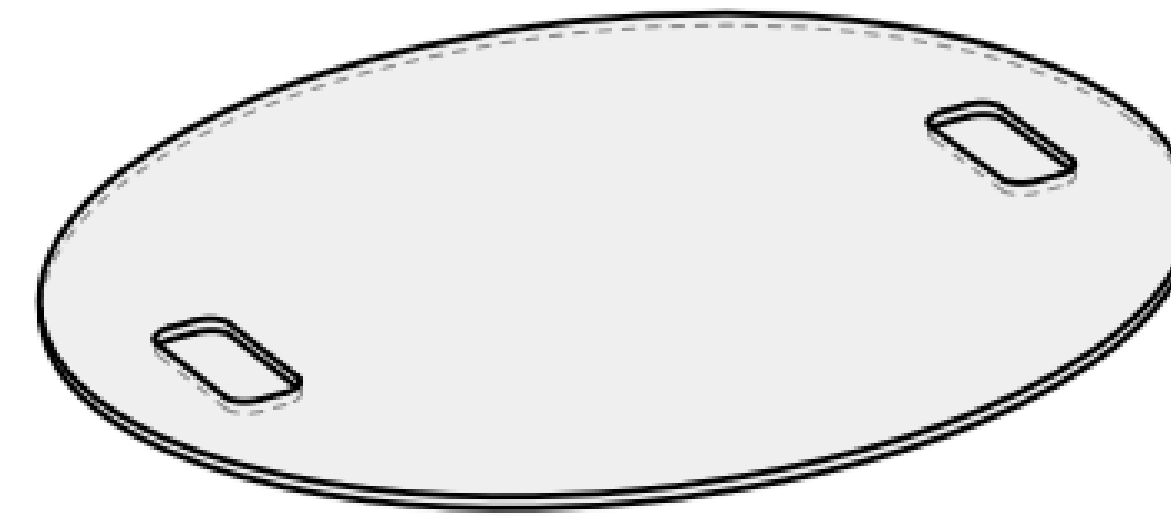
02 FRONT VIEW



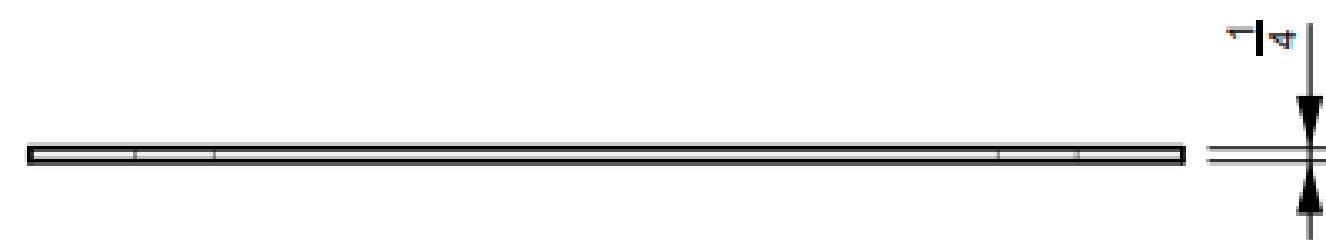
03 SIDE VIEW



01 TOP VIEW



03 PERSPECTIVE



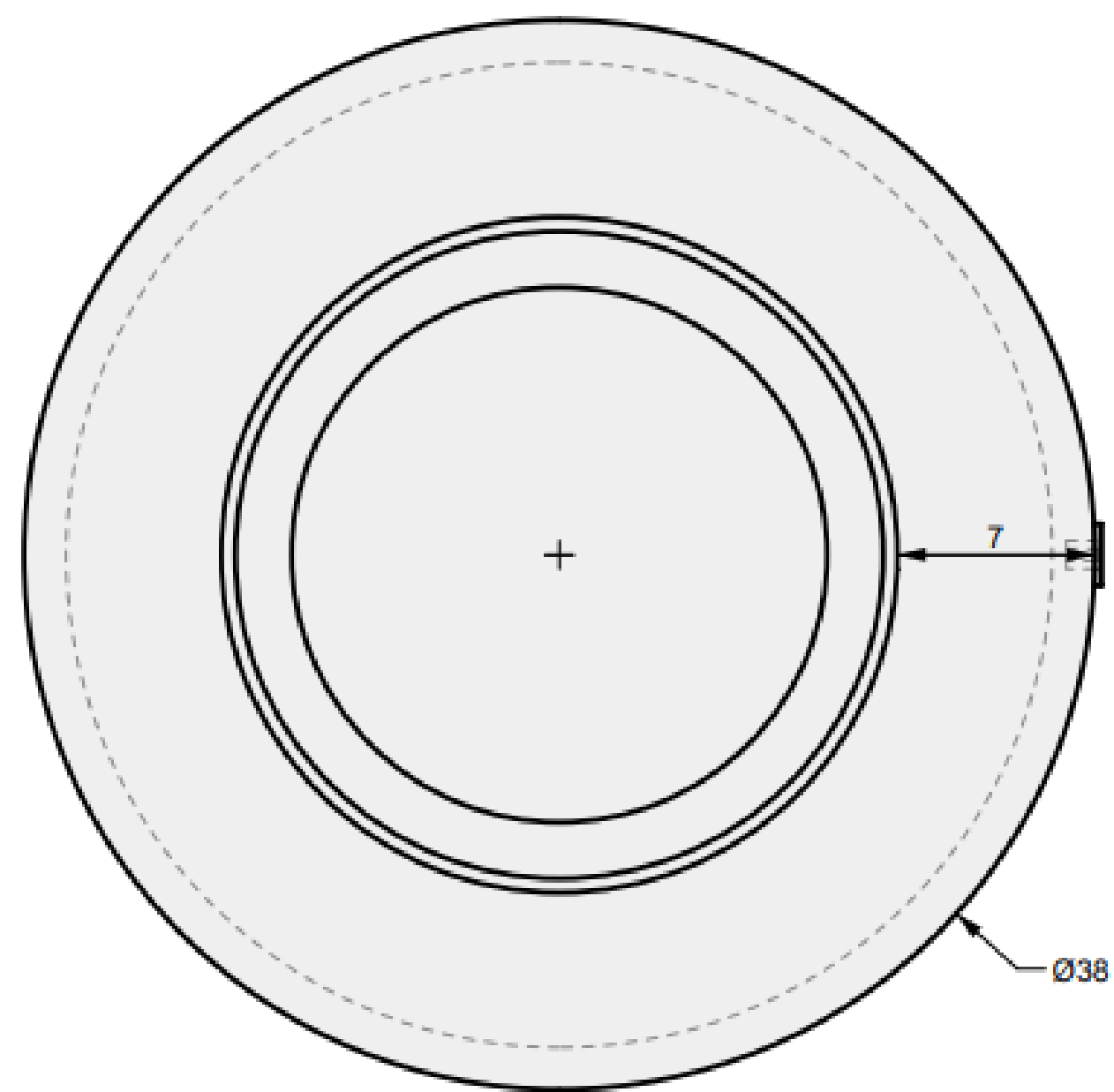
02 FRONT VIEW

# ALUMINUM COVER

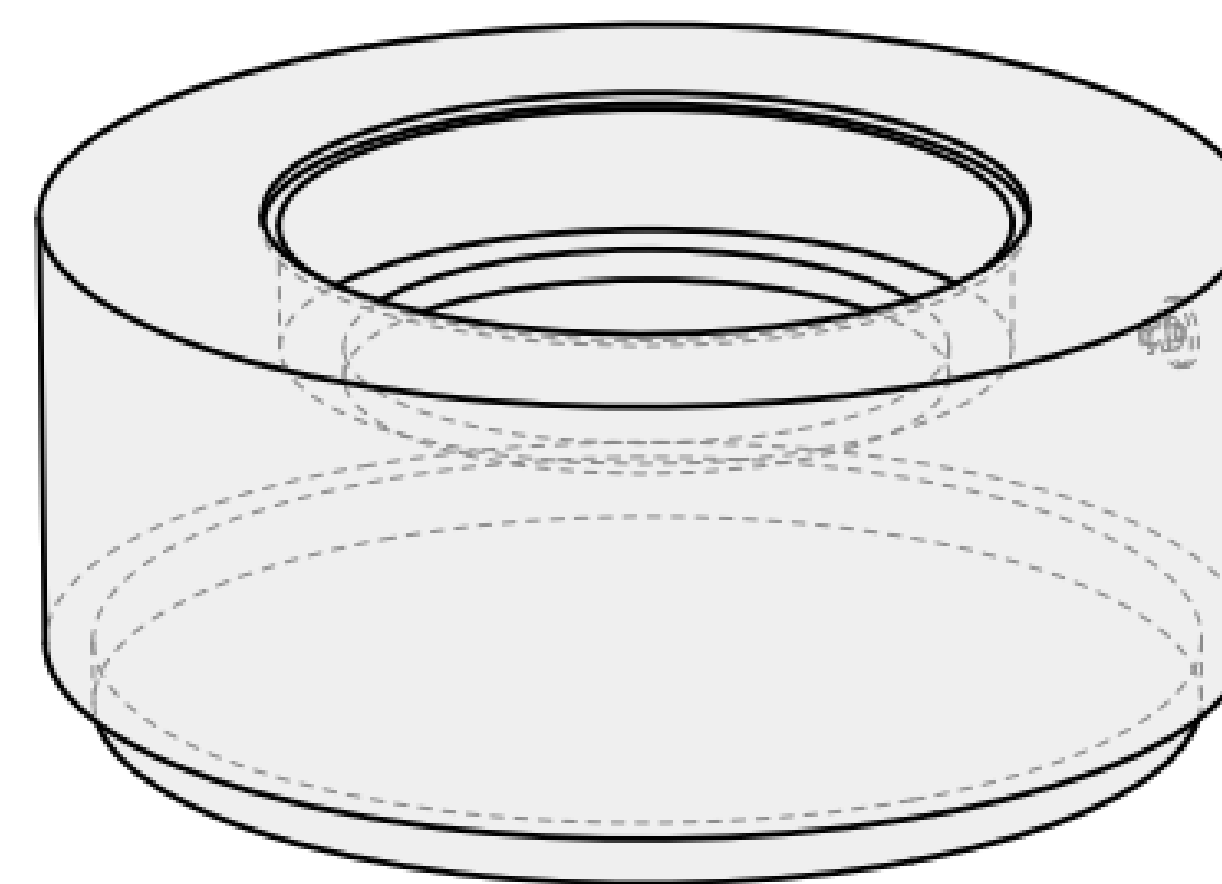
Oblica Fire Table  
32"

# 38 INCH

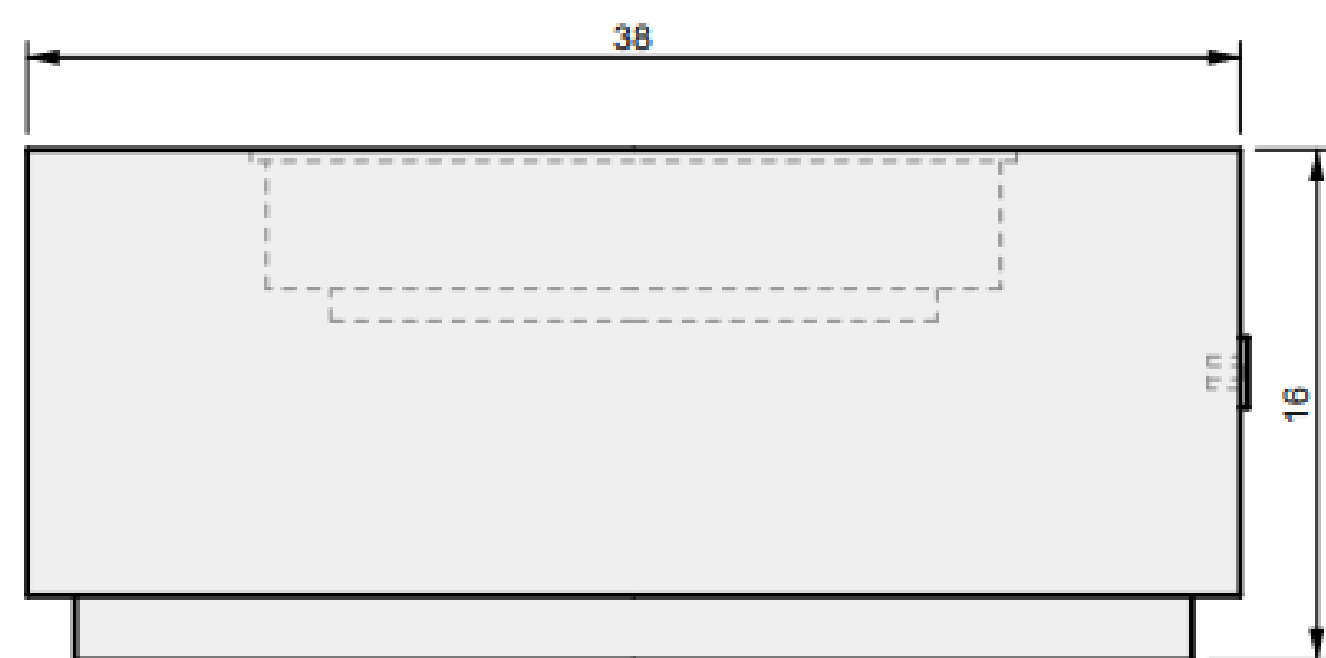
## Oblica Fire Table



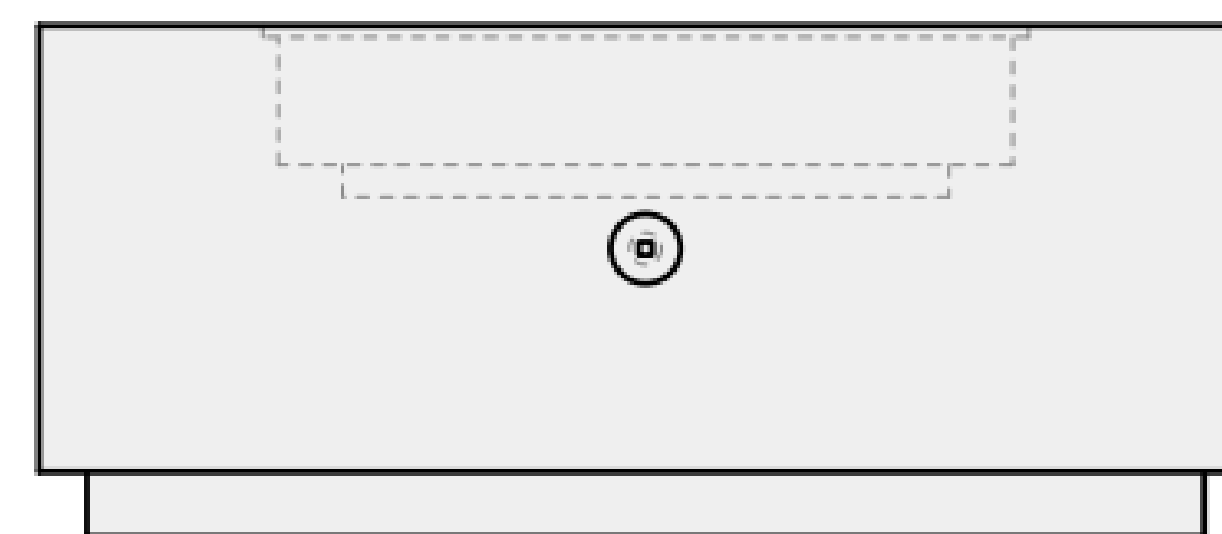
01 TOP VIEW



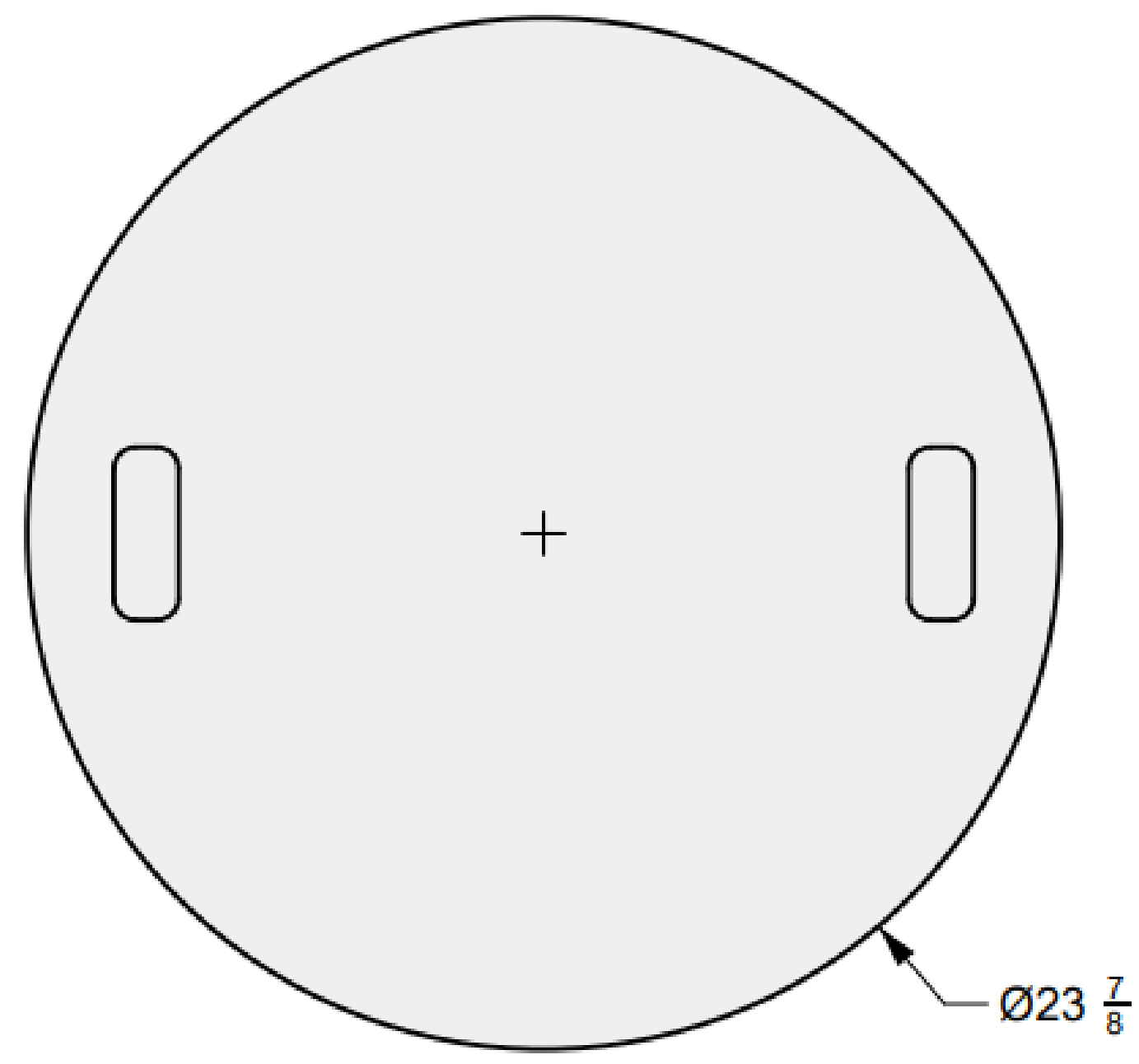
04 PERSPECTIVE



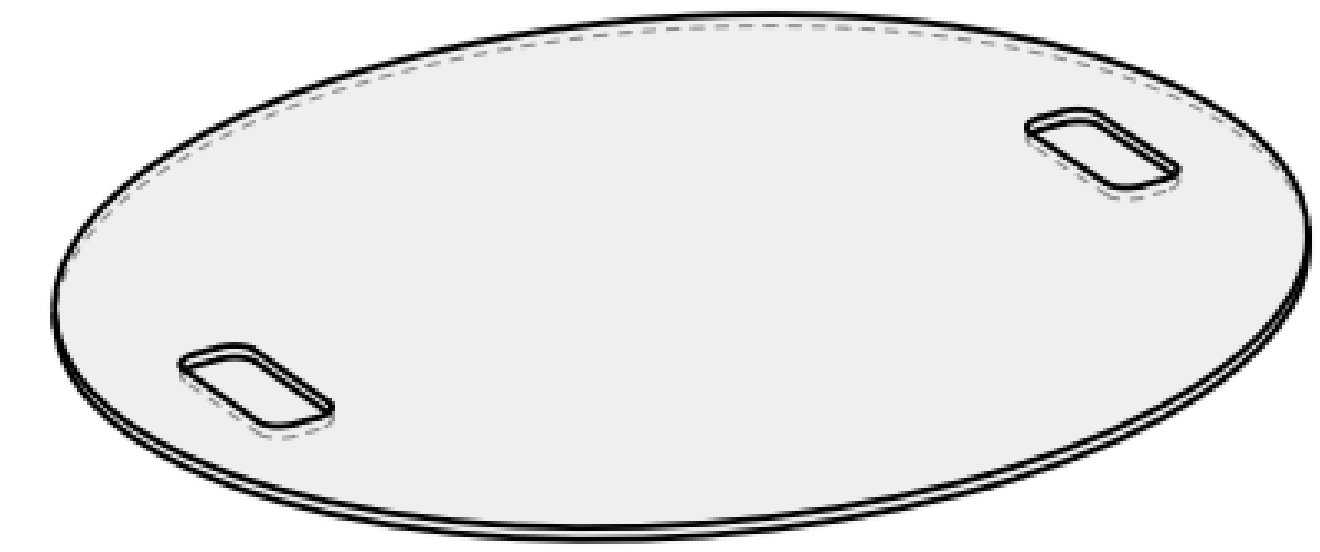
02 FRONT VIEW



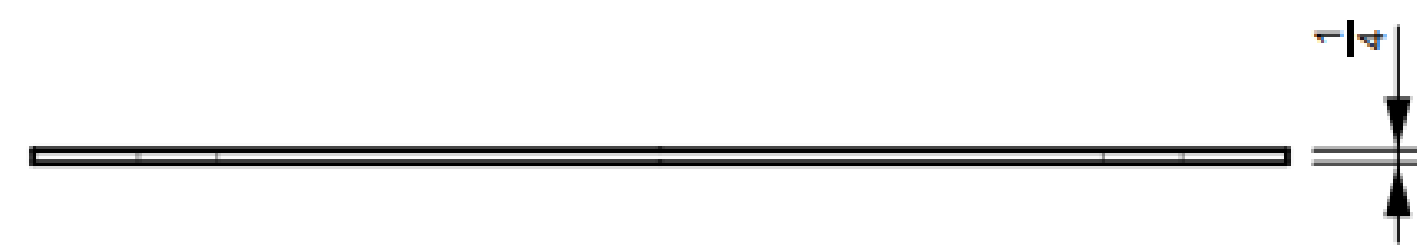
03 SIDE VIEW



01 TOP VIEW



03 PERSPECTIVE



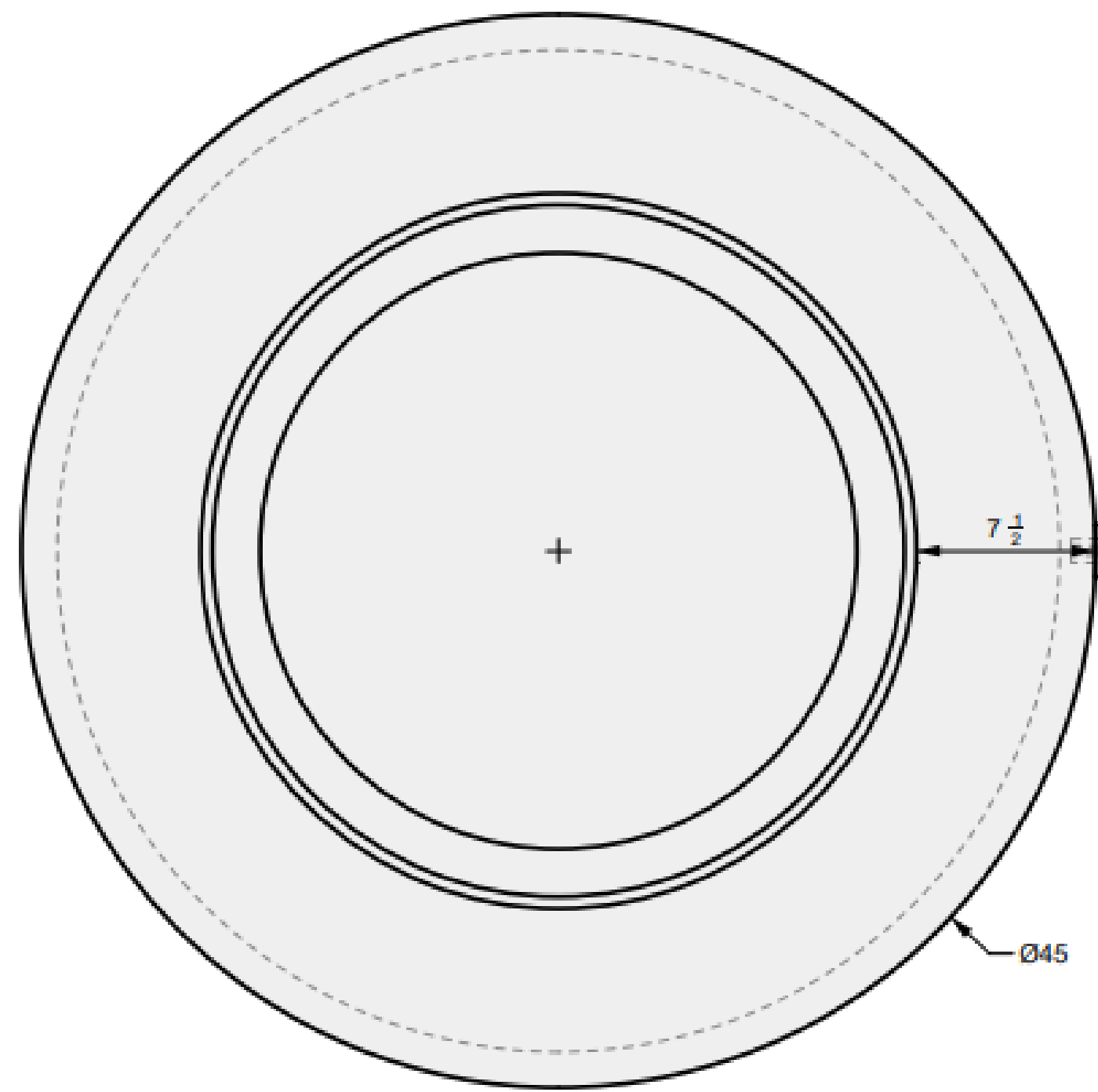
02 FRONT VIEW

# ALUMINUM COVER

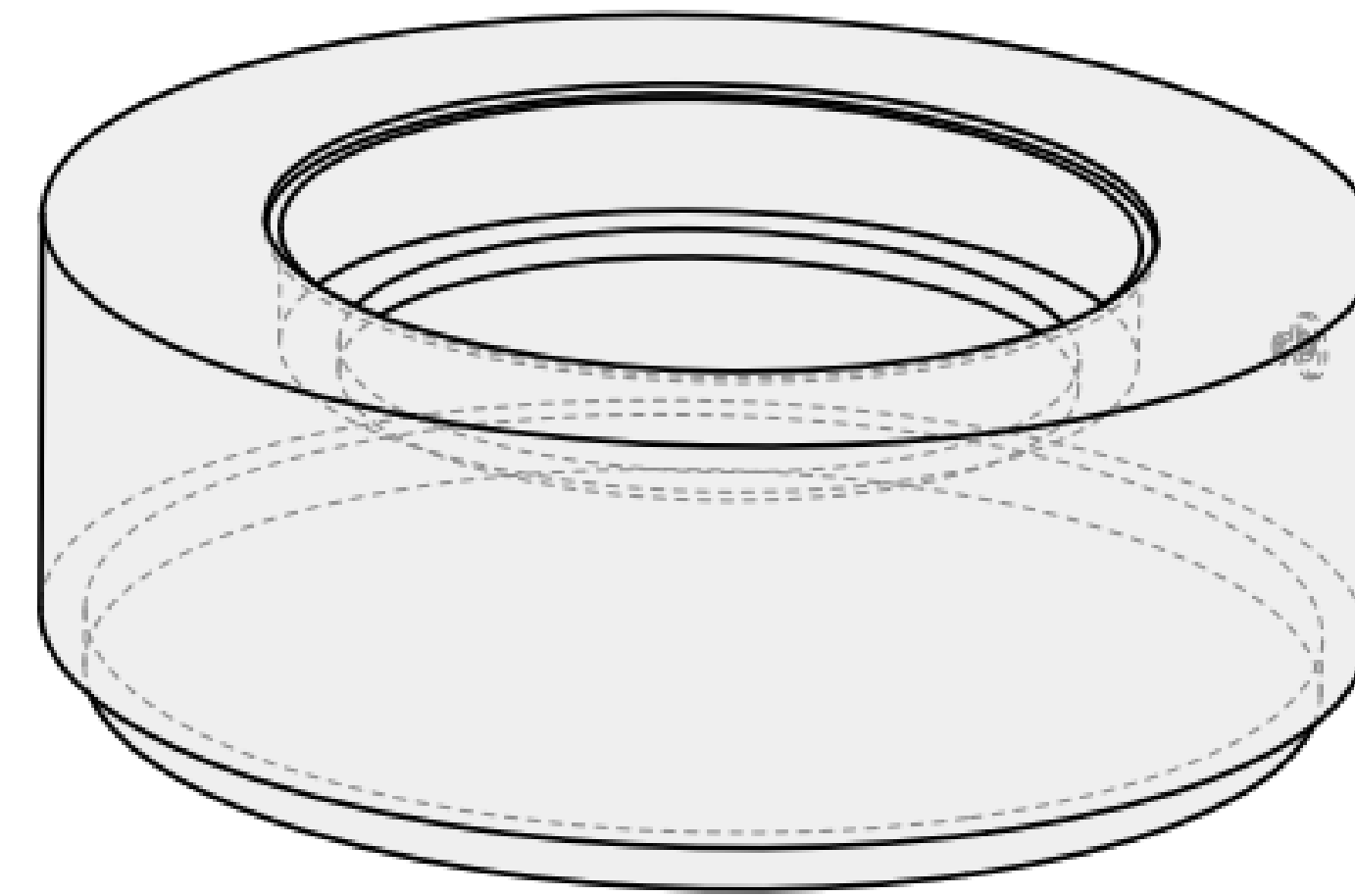
Oblica Fire Table  
38"

# 45 INCH

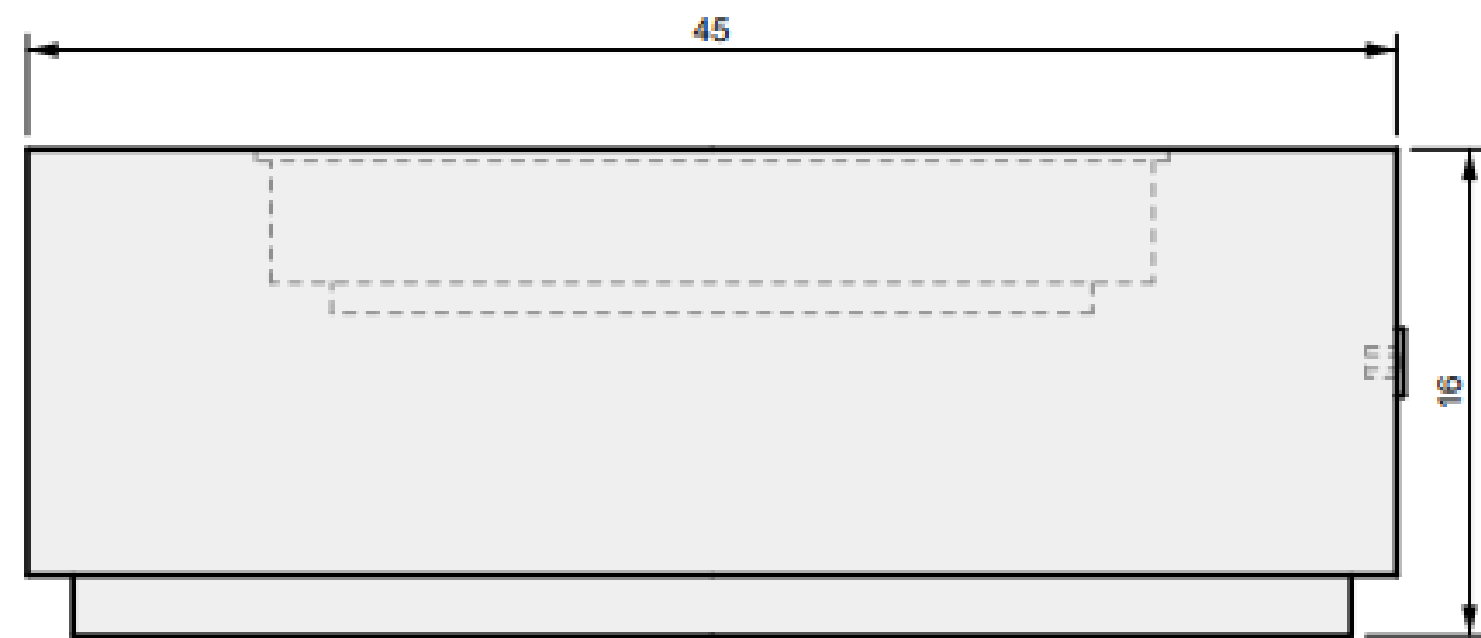
Oblica Fire Table



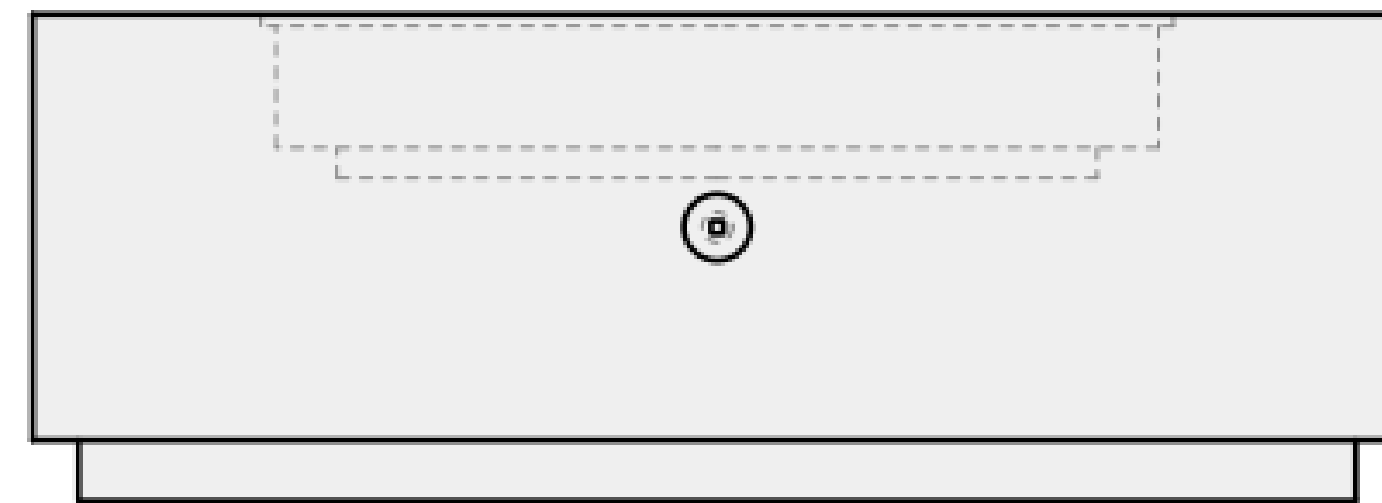
01 TOP VIEW



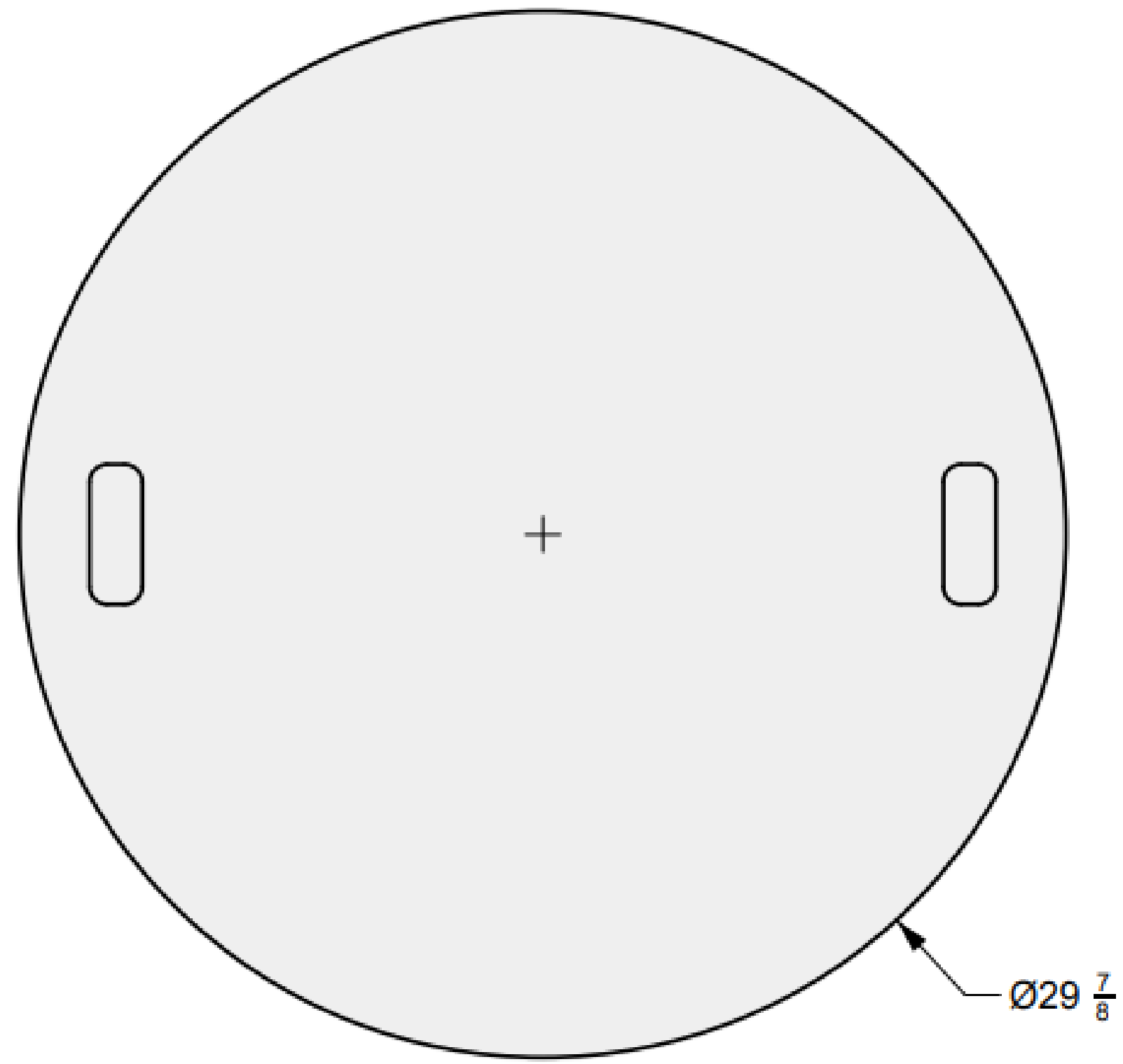
04 PERSPECTIVE



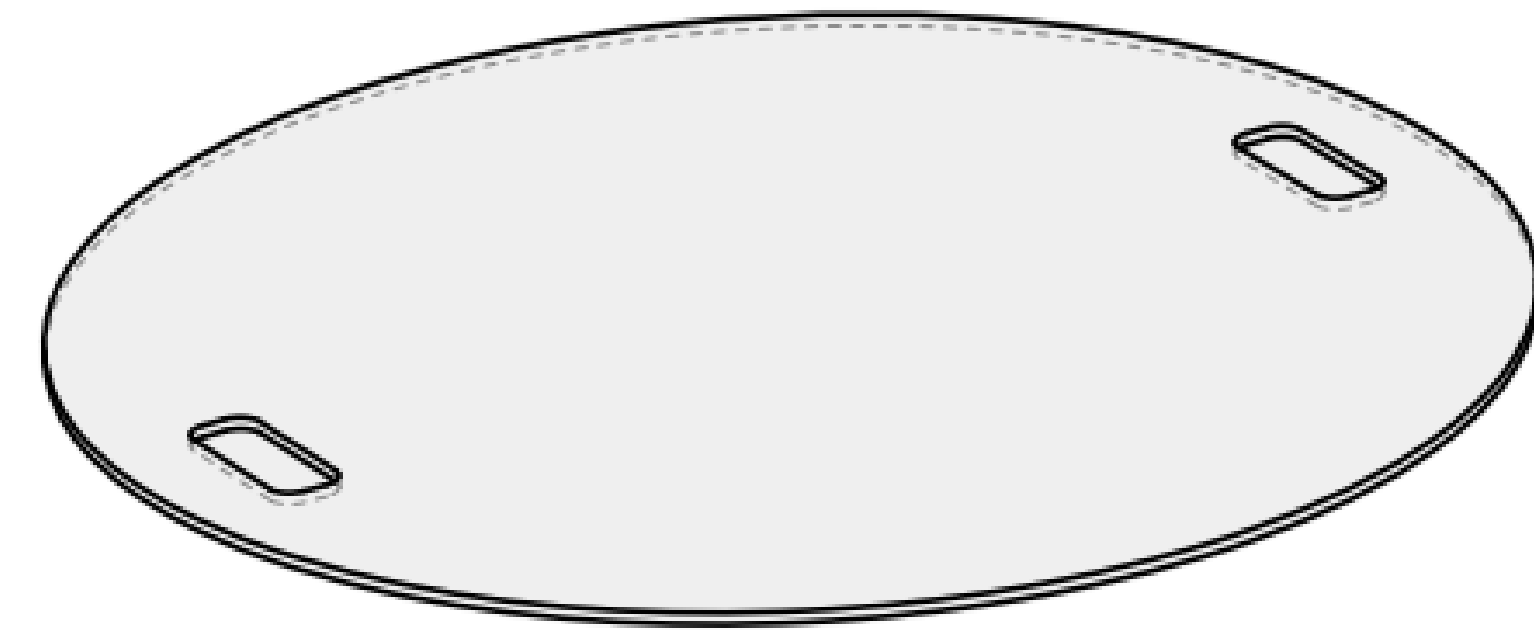
02 FRONT VIEW



03 SIDE VIEW



01 TOP VIEW



03 PERSPECTIVE



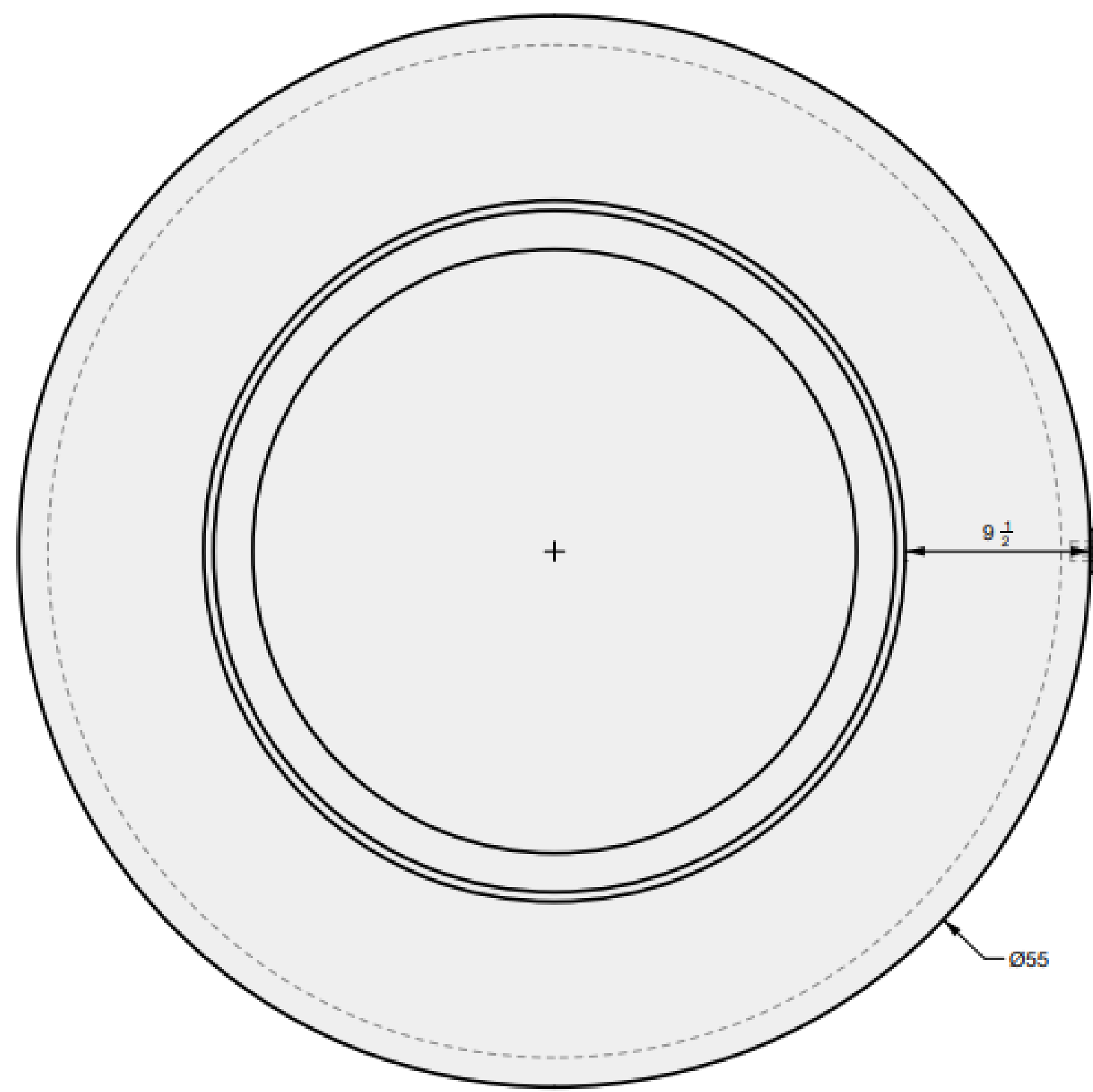
02 FRONT VIEW

# ALUMINUM COVER

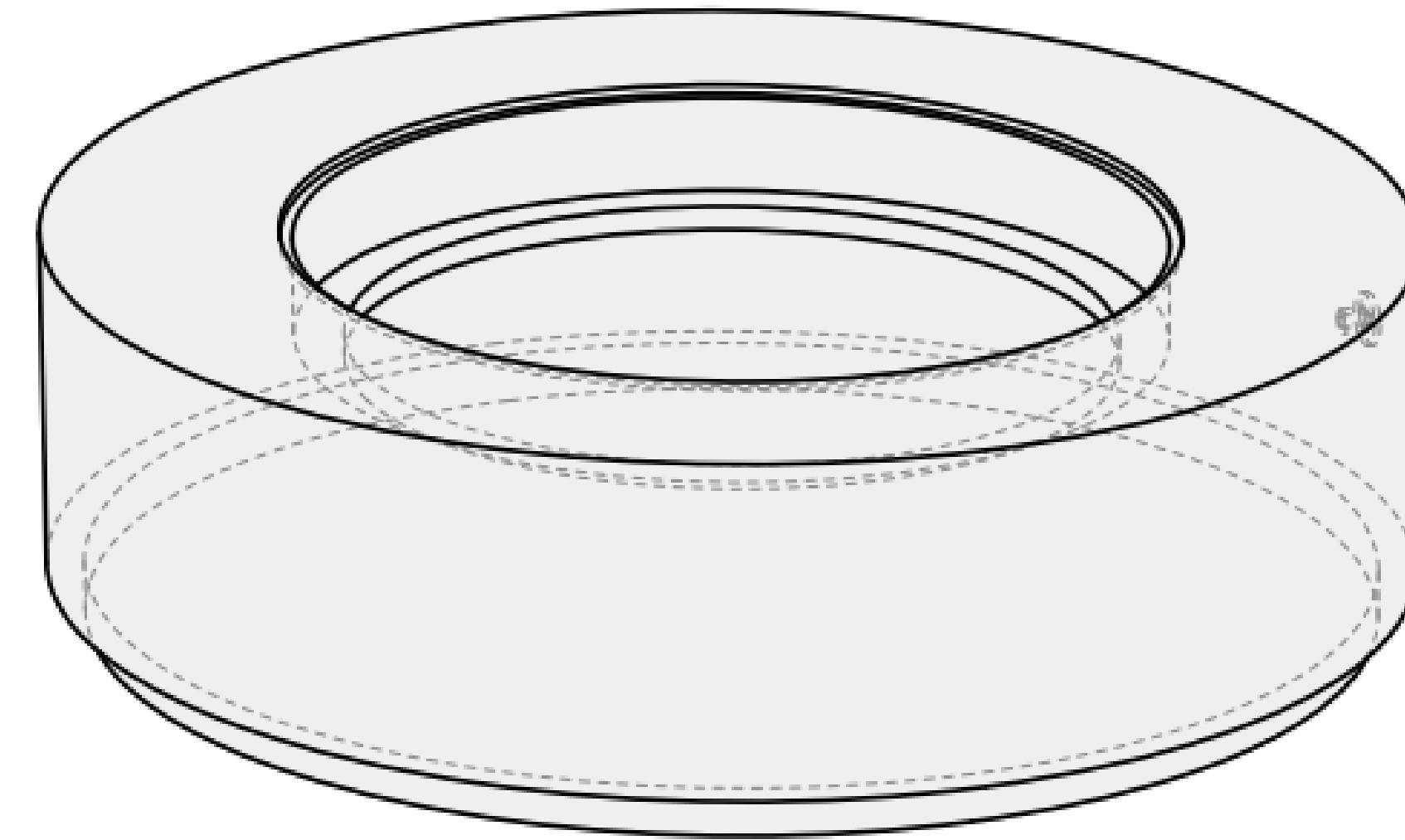
Oblica Fire Table  
45"

# 55 INCH

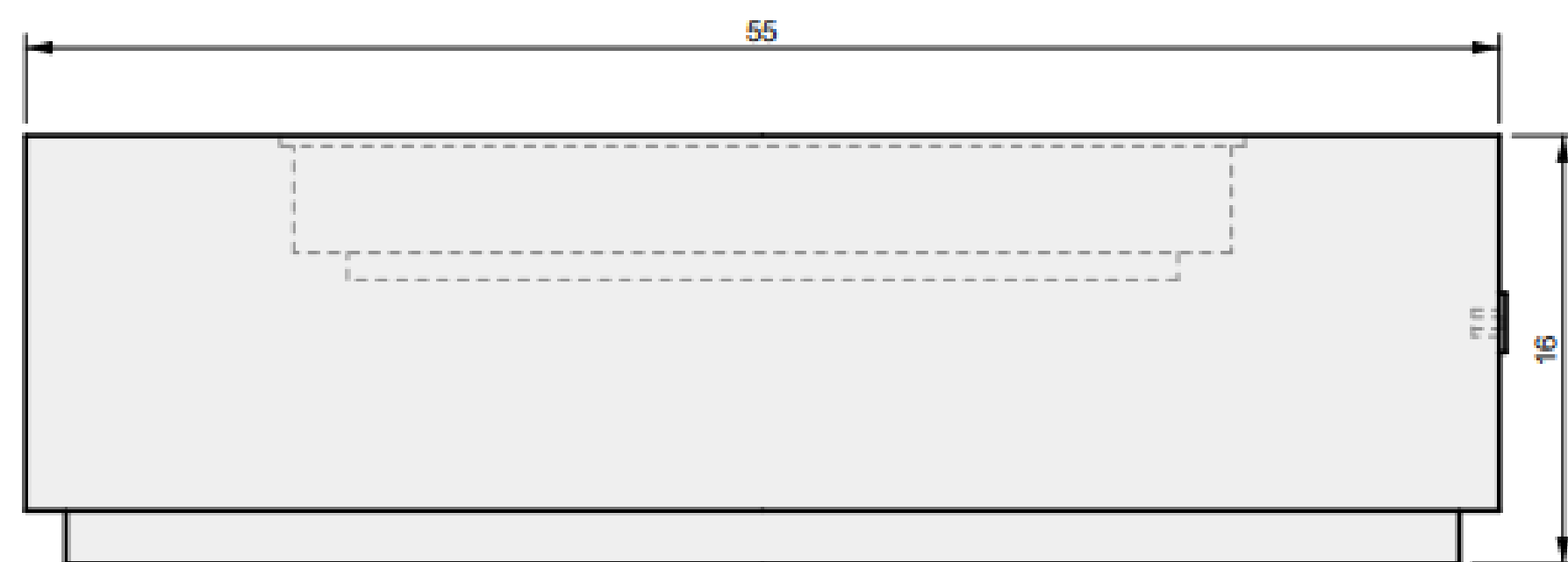
Oblica Fire Table



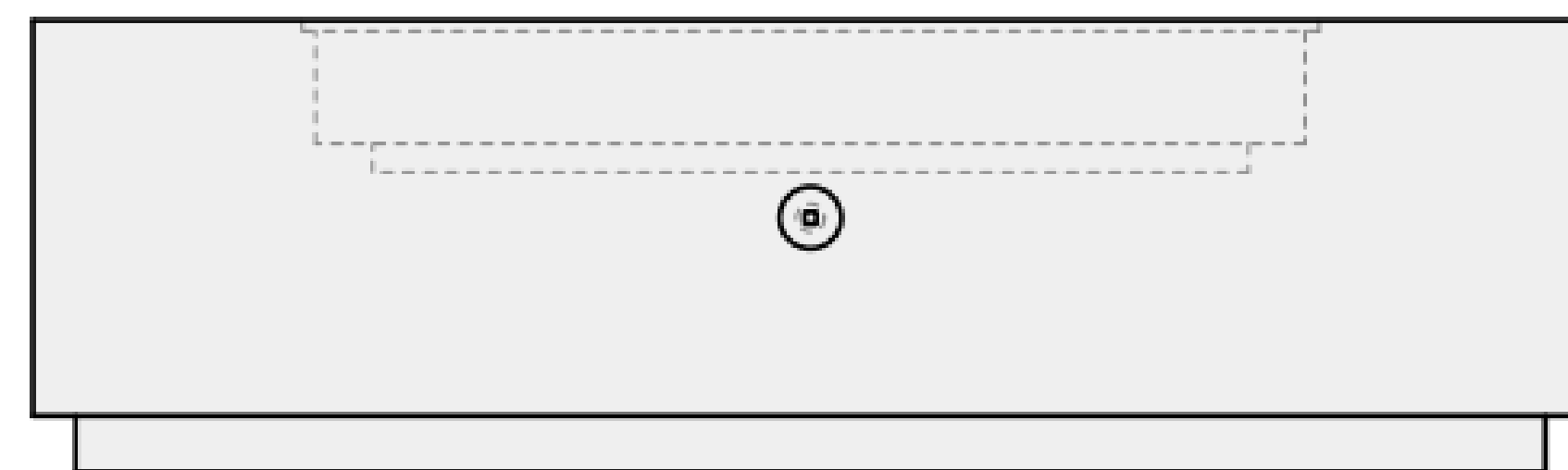
01 TOP VIEW



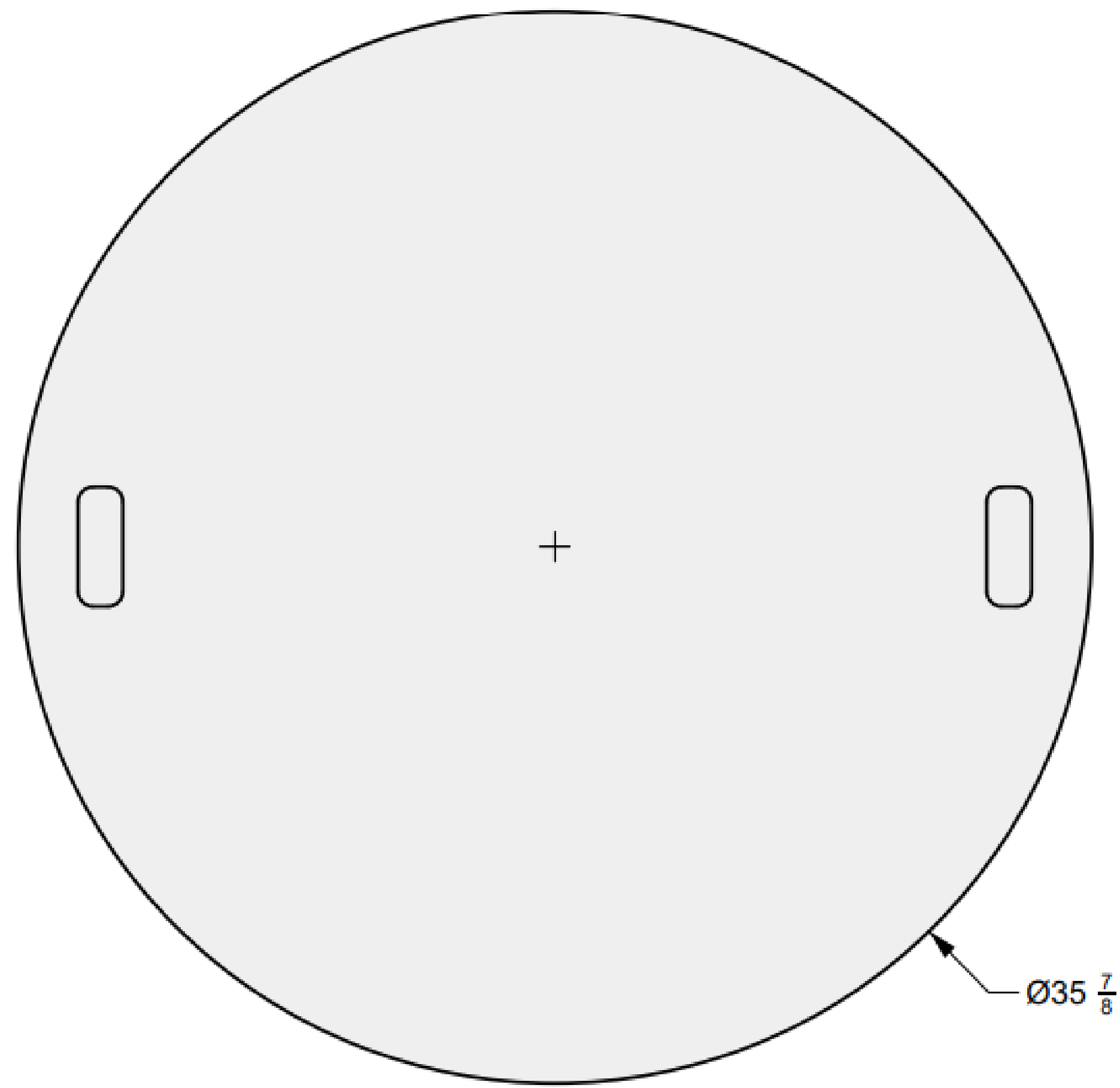
04 PERSPECTIVE



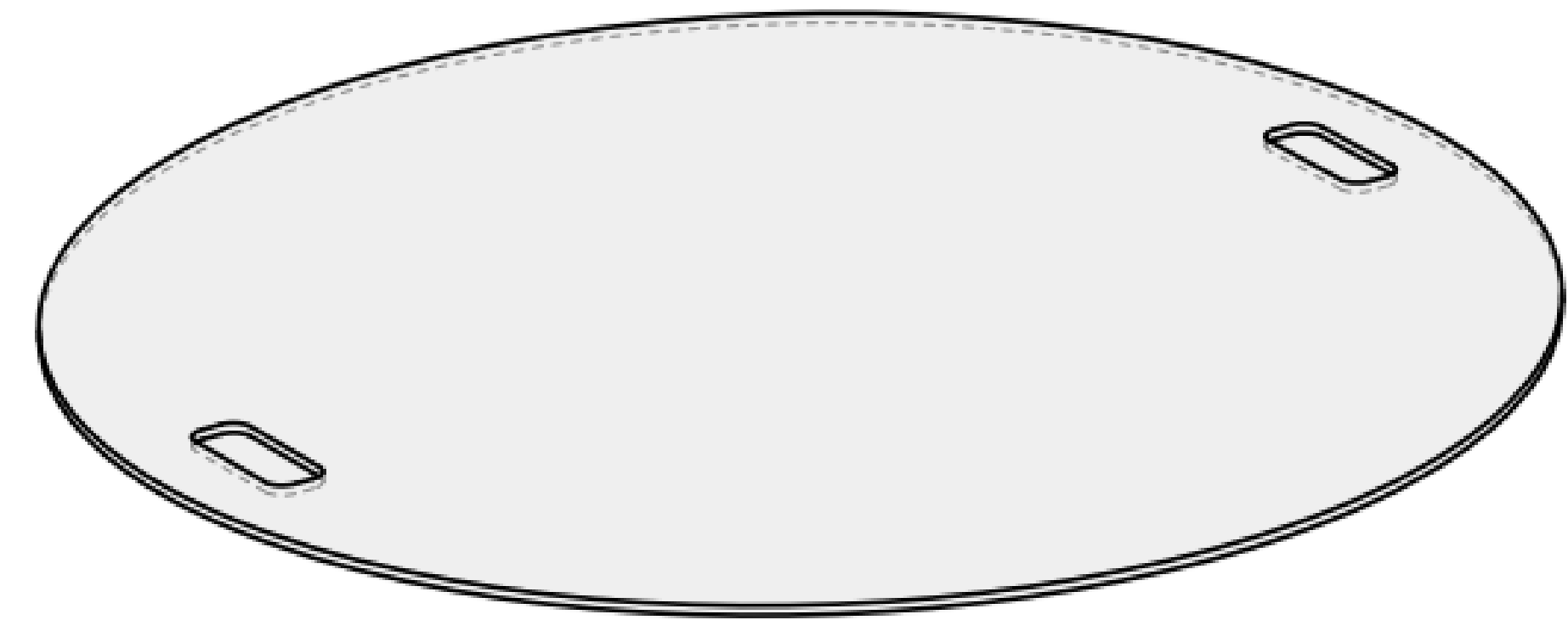
02 FRONT VIEW



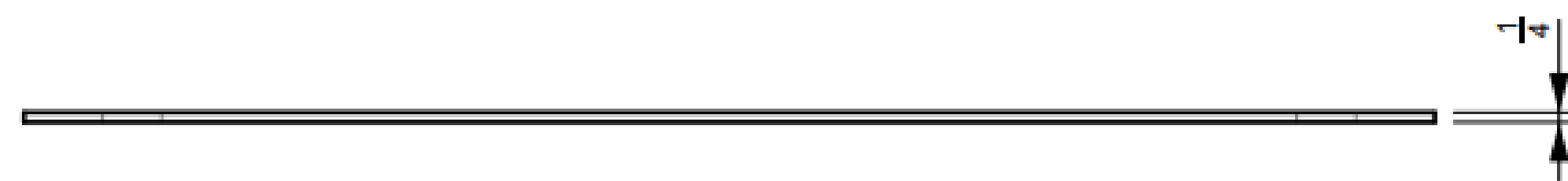
03 SIDE VIEW



01 TOP VIEW



03 PERSPECTIVE



02 FRONT VIEW

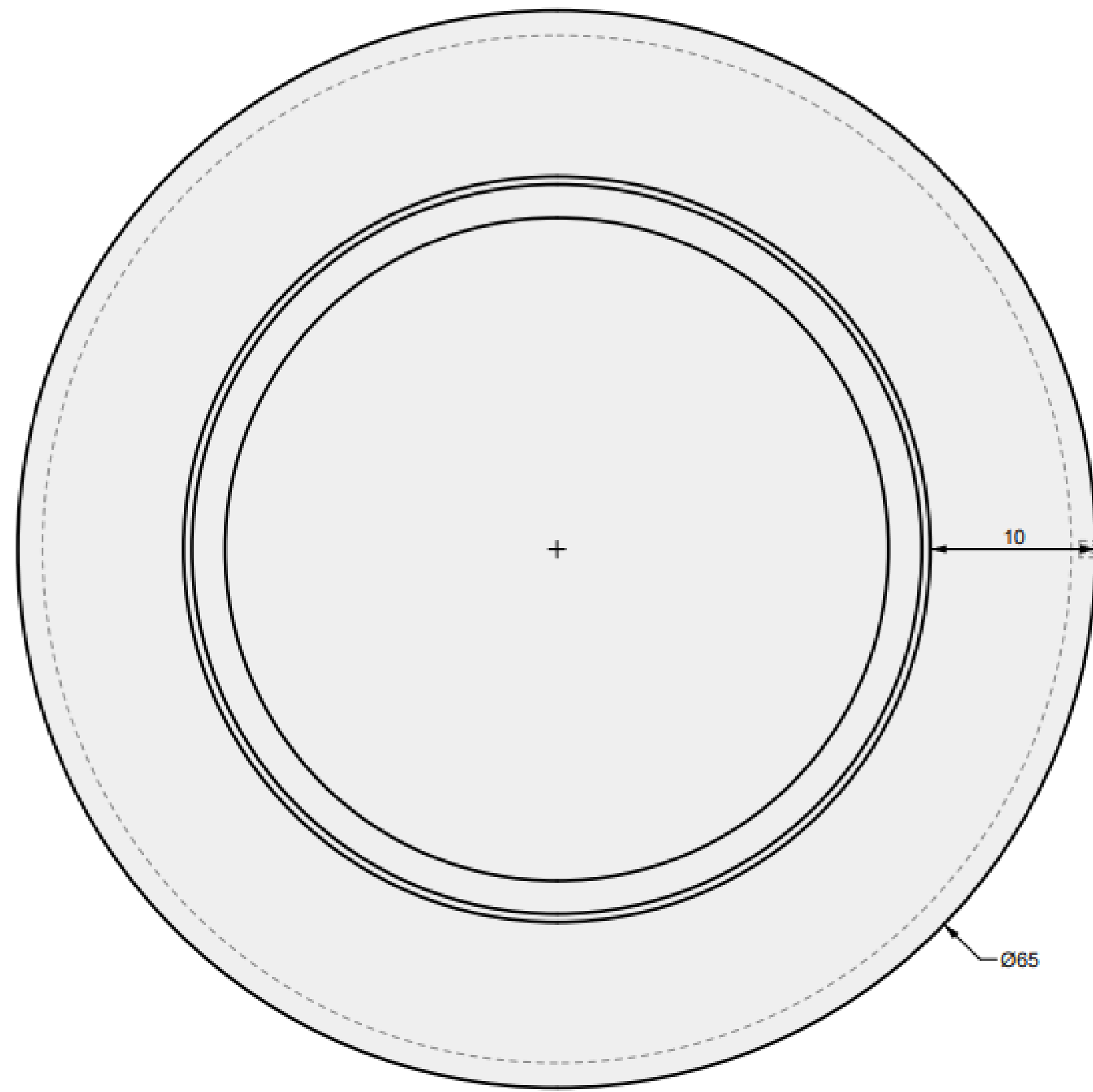
# ALUMINUM COVER

Oblica Fire Table  
55"

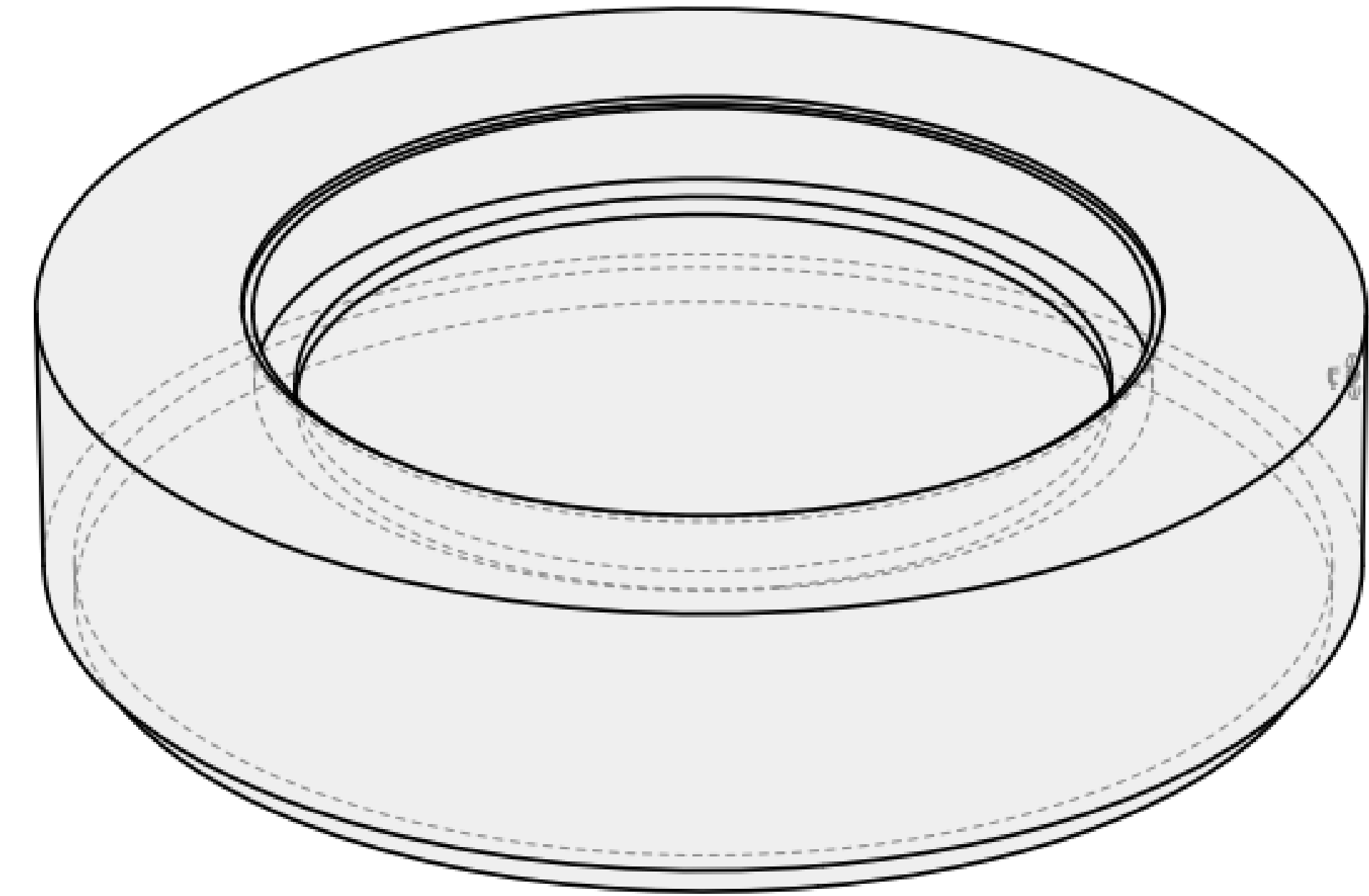


# 65 INCH

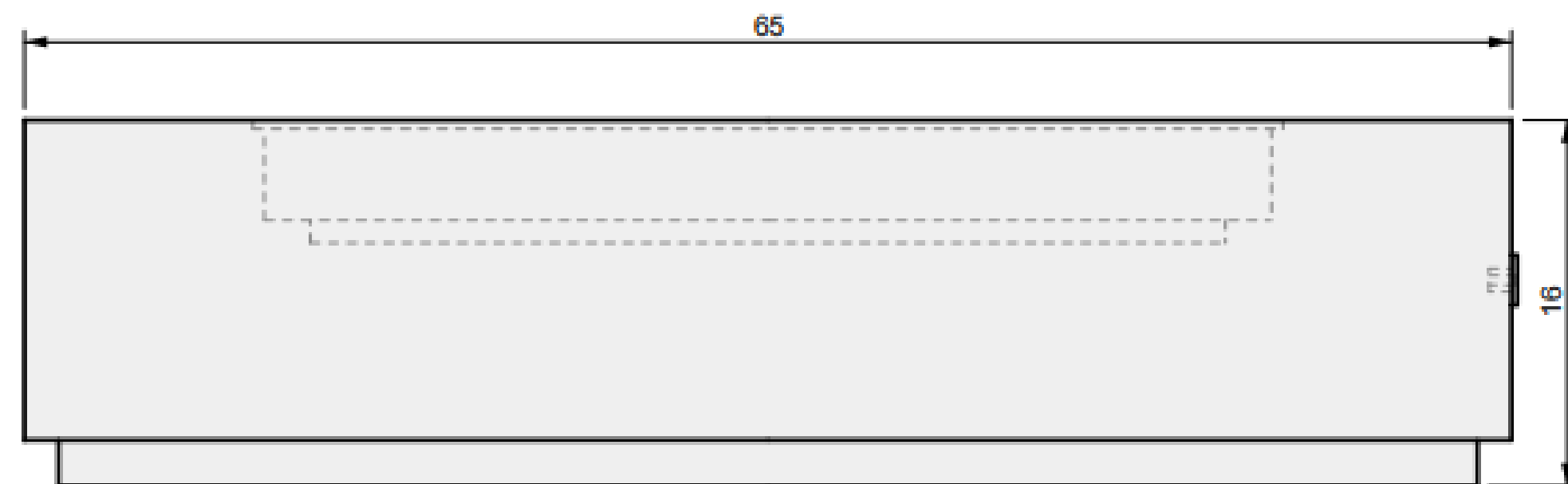
Oblica Fire Table



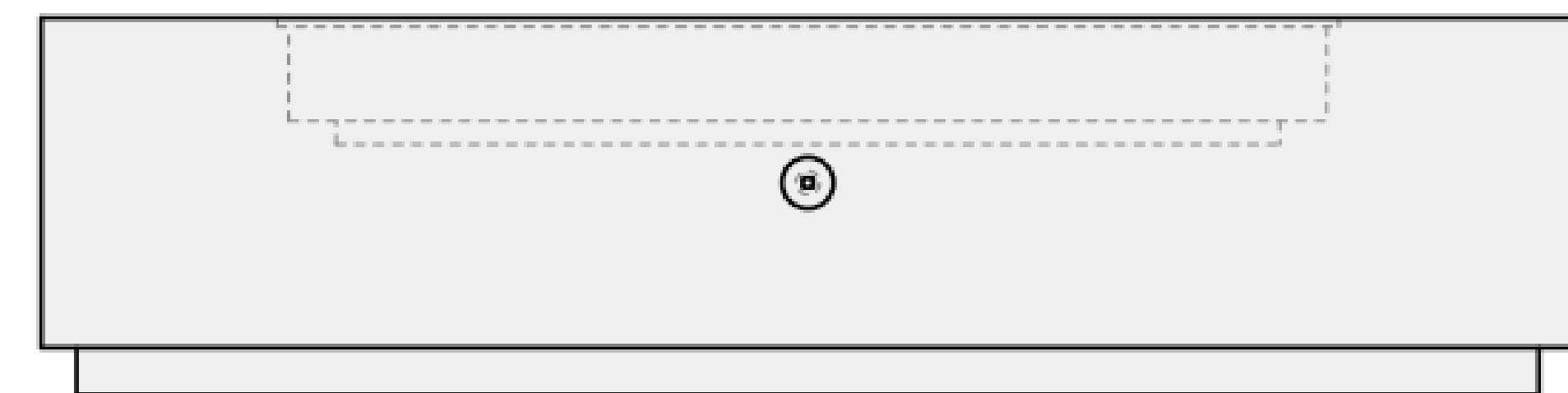
01 TOP VIEW



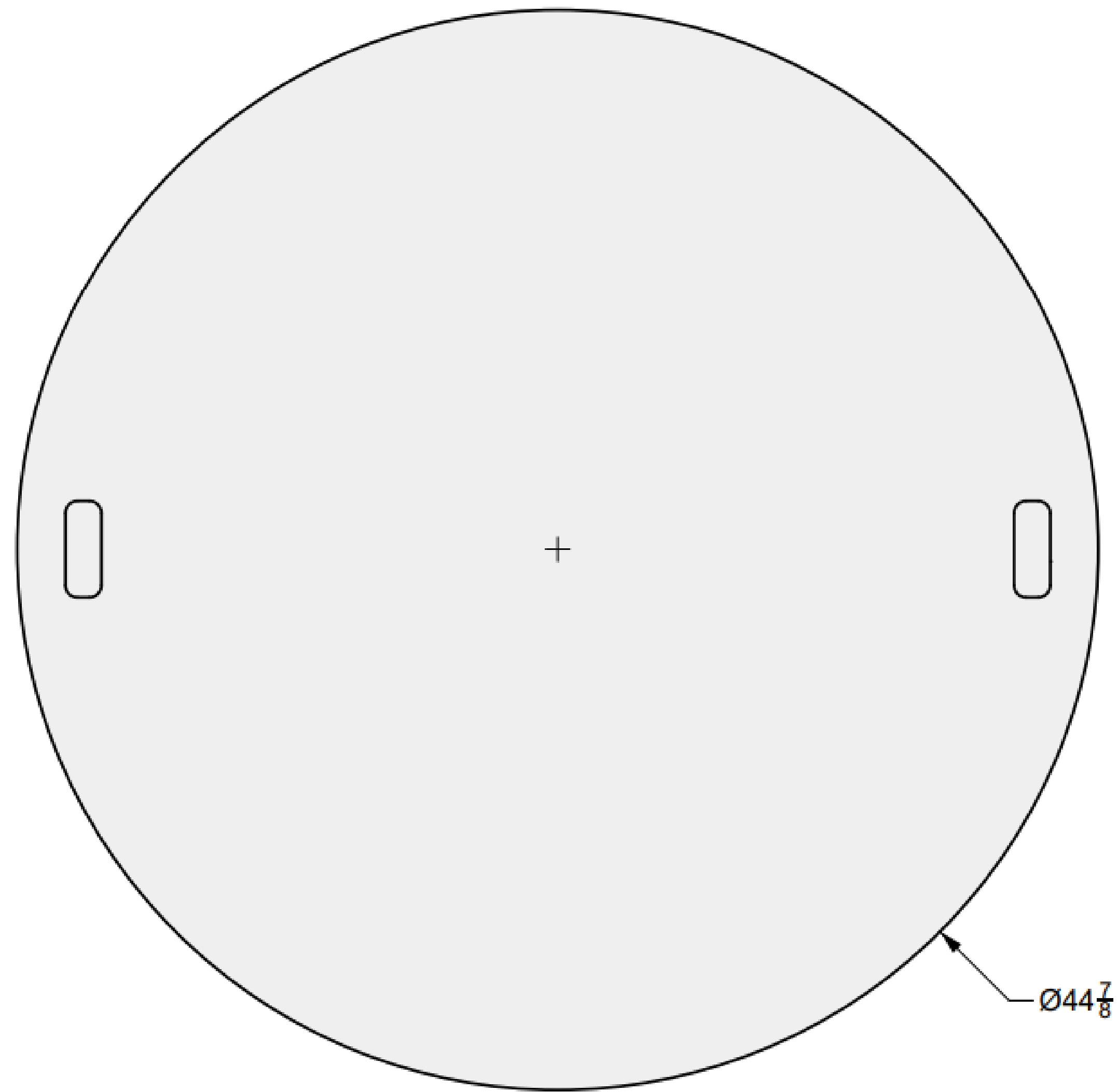
04 PERSPECTIVE



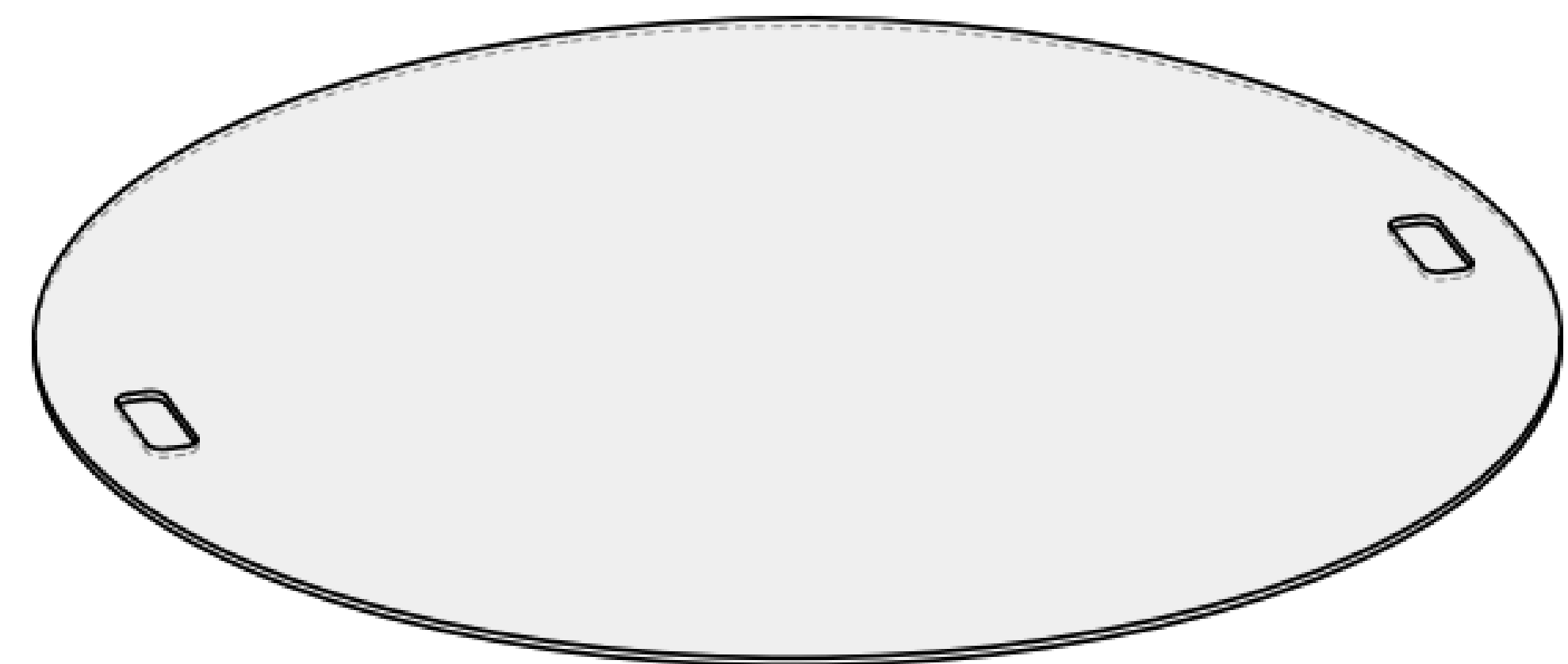
02 FRONT VIEW



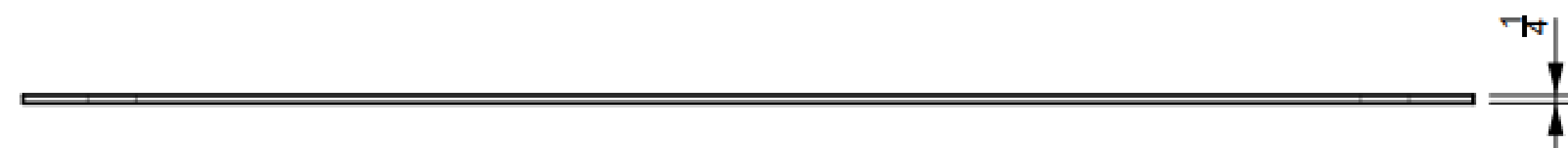
03 SIDE VIEW



01 TOP VIEW



03 PERSPECTIVE



02 FRONT VIEW

# ALUMINUM COVER

Oblica Fire Table  
65"