

**Ventilation:** Includes 4 adjustable feet to create ventilation gap.

**Fuel Inlet Size:** 3/4" I.D. Female



Location of Key

The Venture Series

# Acadia Fire Table

## 55" x 32"



**CONFIDENTIAL**

Any information data and drawings embodied in this document are proprietary and strictly confidential, are to be held as confidential and supplied with the understanding that they will not be disclosed, in whole or in part or in any form, to third parties without the prior written consent of Montana Fire Pits. All information, illustrations, screen shots, and data contained are herein Copyright © Montana Fire Pits. All rights reserved.

**Model:** Acadia 55 x 33

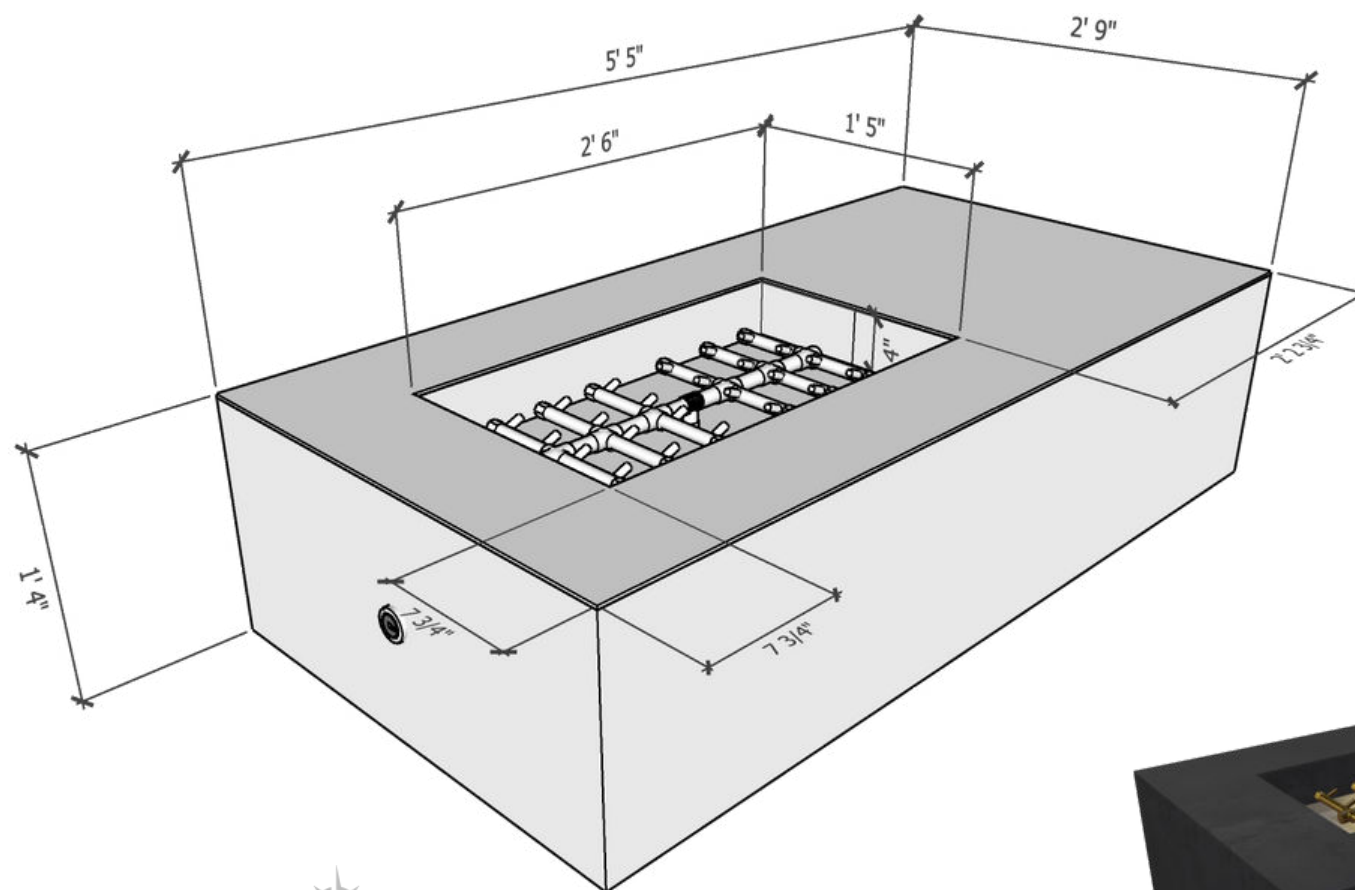
**Weight:** 350 lbs.

**Material:** 3/16" Mild Steel

**BTU Options:** 160,000

**Fuel Pressure:** Natural Gas: 7" Water Column  
Propane: 11" Water Column

**Protective Finish:**  
Powder Coating



**Ventilation:** Includes 4 adjustable feet to create ventilation gap.

**Fuel Inlet Size:** 3/4" I.D. Female



Location of Key

The Venture Series



# Acadia Fire Table

## 65" x 33"



**CONFIDENTIAL**  
Any information data and drawings embodied in this document are proprietary and strictly confidential, are to be held as confidential and supplied with the understanding that they will not be disclosed, in whole or in part or in any form, to third parties without the prior written consent of Montana Fire Pits. All information, illustrations, screen shots, and data contained are herein Copyright © Montana Fire Pits. All rights reserved.

**Model:** Acadia 65 x 33

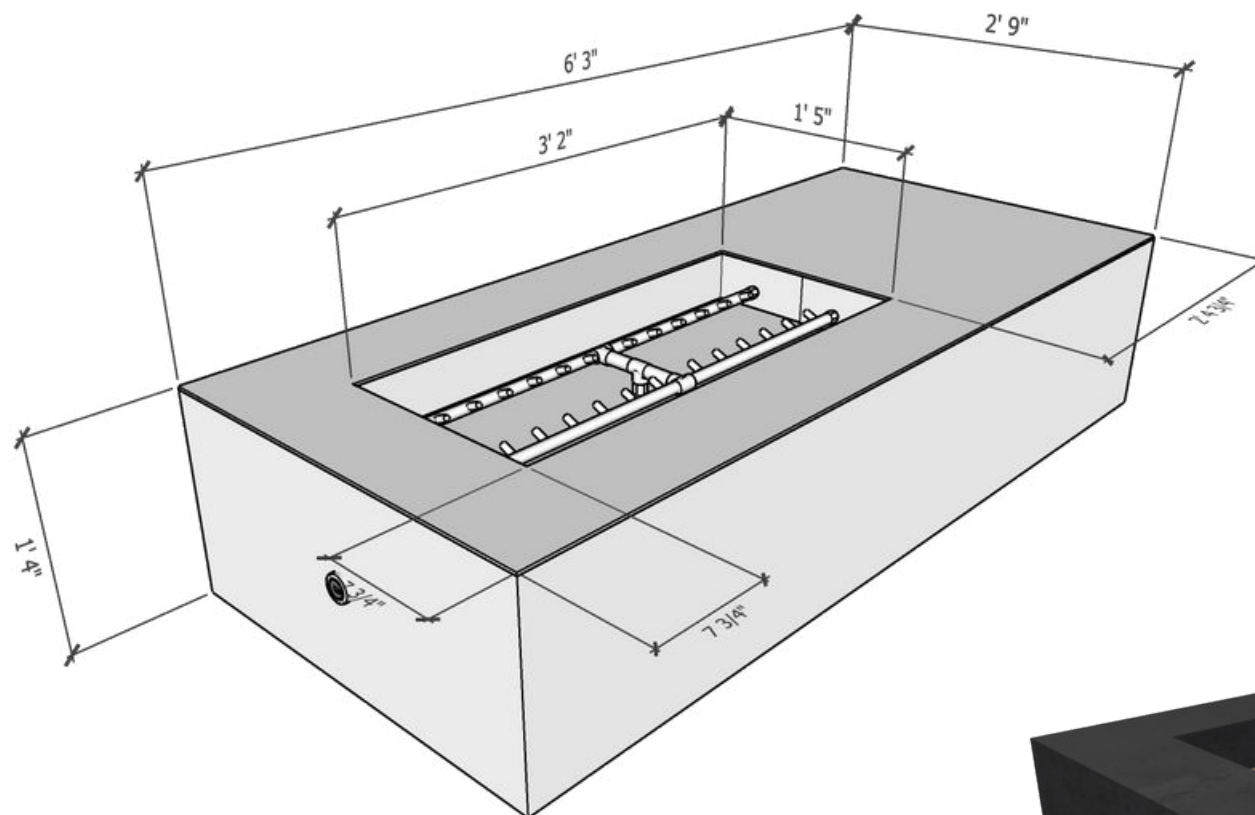
**Weight:** 395 lbs.

**Material:** 3/16" Mild Steel

**BTU Options:** 240,000

**Fuel Pressure:** Natural Gas: 7" Water Column  
Propane: 11" Water Column

**Protective Finish:**  
Powder Coating



**Ventilation:** Includes 4 adjustable feet to create ventilation gap.

**Fuel Inlet Size:** 3/4" I.D. Female



Location of Key

The Venture Series



# Acadia Fire Table

## 75" x 33"



**MONTANA  
FIRE PITS**

www.montanafirepits.com

**CONFIDENTIAL**  
Any information data and drawings embodied in this document are proprietary and strictly confidential, are to be held as confidential and supplied with the understanding that they will not be disclosed, in whole or in part or in any form, to third parties without the prior written consent of Montana Fire Pits. All information, illustrations, screen shots, and data contained are herein Copyright © Montana Fire Pits. All rights reserved.

**Model:** Acadia 75 x 33

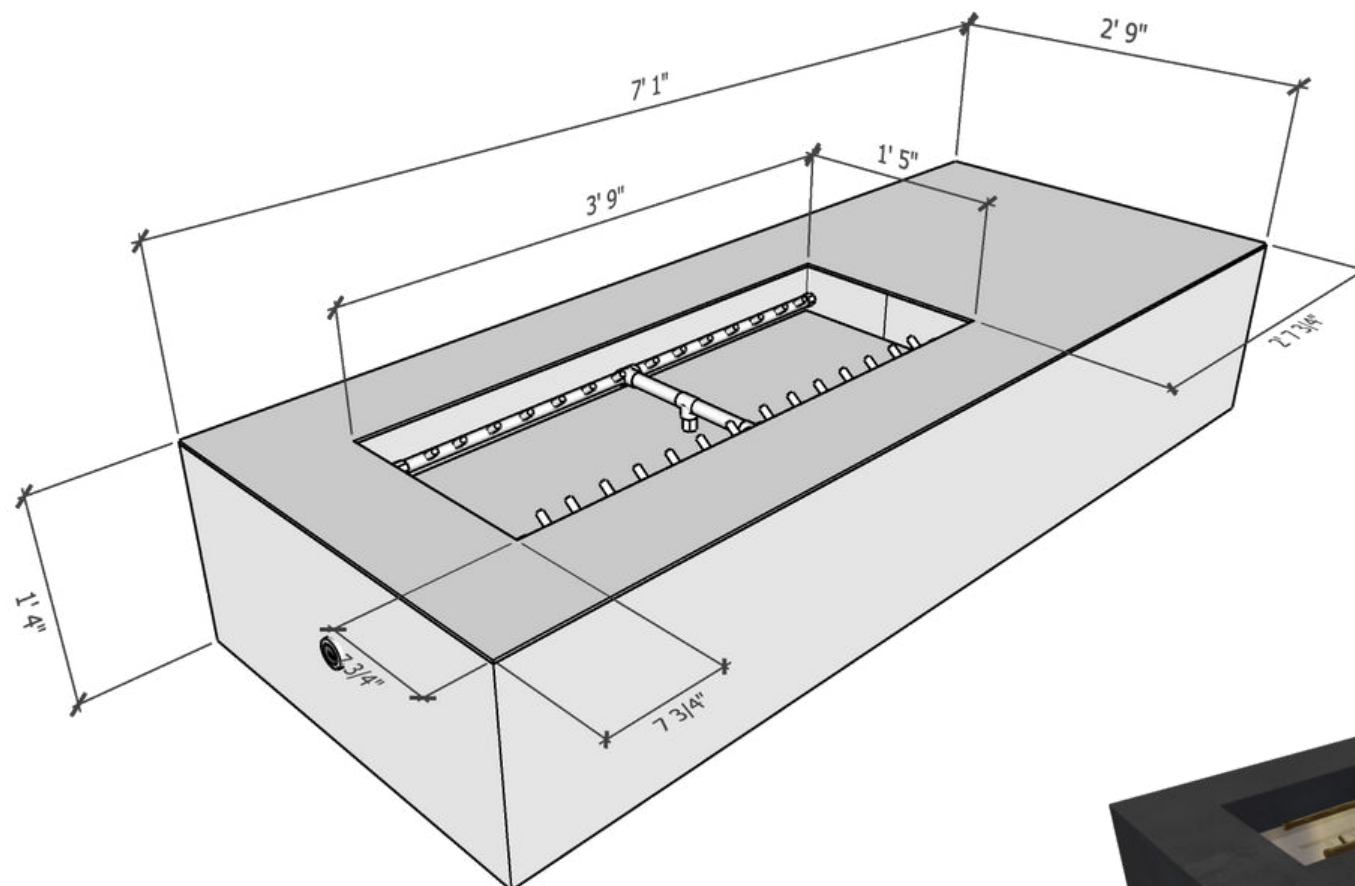
**Weight:** 475 lbs.

**Material:** 3/16" Mild Steel

**BTU Options:** 200,000 or 240,000

**Fuel Pressure:** Natural Gas: 7" Water Column  
Propane: 11" Water Column

**Protective Finish:**  
Powder Coating



**Ventilation:** Includes 4 adjustable feet to create ventilation gap.

**Fuel Inlet Size:** 3/4" I.D. Female



Location of Key

The Venture Series



# Acadia Fire Table

## 85" x 33"



**CONFIDENTIAL**  
Any information data and drawings embodied in this document are proprietary and strictly confidential, are to be held as confidential and supplied with the understanding that they will not be disclosed, in whole or in part or in any form, to third parties without the prior written consent of Montana Fire Pits. All information, illustrations, screen shots, and data contained are herein Copyright © Montana Fire Pits. All rights reserved.

**Model:** Acadia 85 x 33

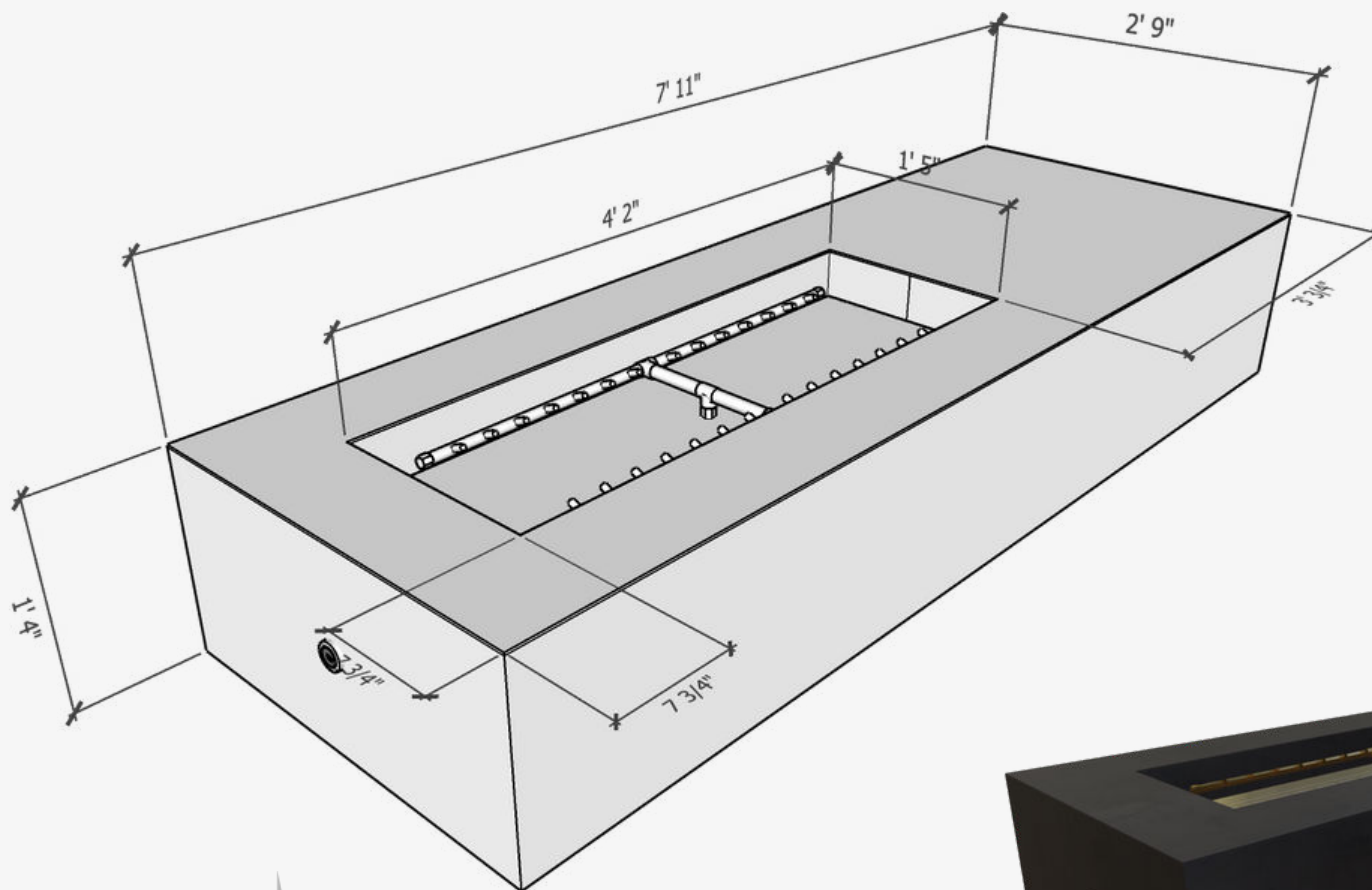
**Weight:** 550 lbs.

**Material:** 3/16" Mild Steel

**BTU Options:** 300,000 or 320,000

**Fuel Pressure:** Natural Gas: 7" Water Column  
Propane: 11" Water Column

**Protective Finish:**  
Powder Coating



**Ventilation:** Includes 4 adjustable feet to create ventilation gap.

**Fuel Inlet Size:** 3/4" I.D. Female



Location of Key

The Venture Series



# Acadia Fire Table

## 95" x 33"



**MONTANA  
FIRE PITS**

www.montanafirepits.com

**CONFIDENTIAL**

Any information data and drawings embodied in this document are proprietary and strictly confidential, are to be held as confidential and supplied with the understanding that they will not be disclosed, in whole or in part or in any form, to third parties without the prior written consent of Montana Fire Pits. All information, illustrations, screen shots, and data contained are herein Copyright © Montana Fire Pits. All rights reserved.

**Model:** Acadia 95 x 33

**Weight:** 625 lbs.

**Material:** 3/16" Mild Steel

**BTU Options:** 300,000 or 400,000

**Fuel Pressure:** Natural Gas: 7" Water Column  
Propane: 11" Water Column

**Protective Finish:**  
Powder Coating