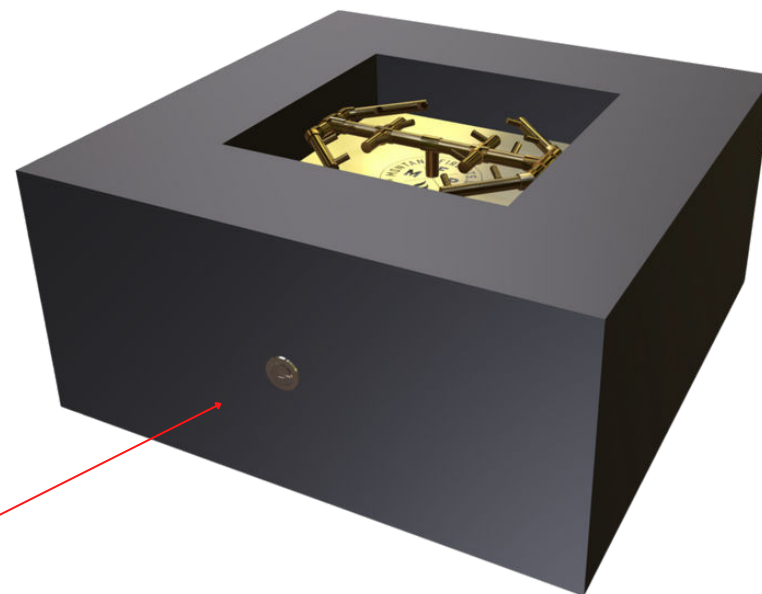


Ventilation: Includes 4 adjustable feet to create ventilation gap.

Fuel Inlet Size: 3/4" I.D. Female



Location of Key

The Venture Series



Glacier Fire Table

34" x 34"



CONFIDENTIAL
Any information data and drawings embodied in this document are proprietary and strictly confidential, are to be held as confidential and supplied with the understanding that they will not be disclosed, in whole or in part or in any form, to third parties without the prior written consent of Montana Fire Pits. All information, illustrations, screen shots, and data contained are herein Copyright © Montana Fire Pits. All rights reserved.

Model: Glacier 34 x 34

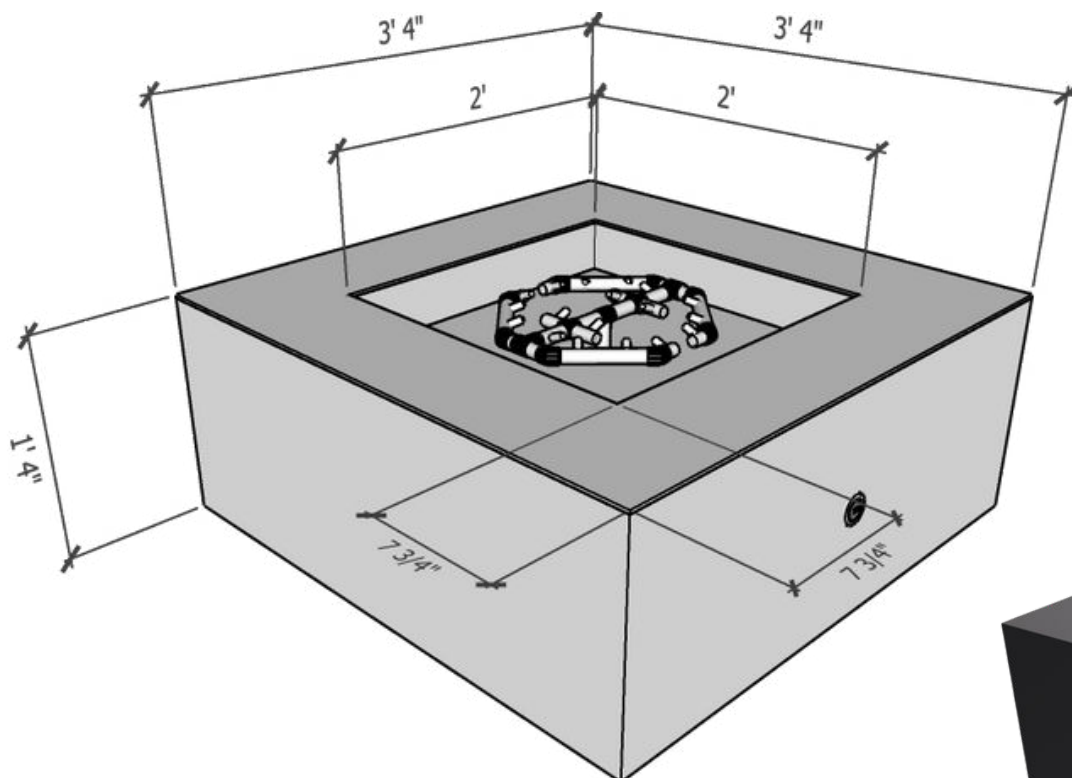
Weight: 225 lbs.

Material: 3/16" Mild Steel

BTU Options: 140,000

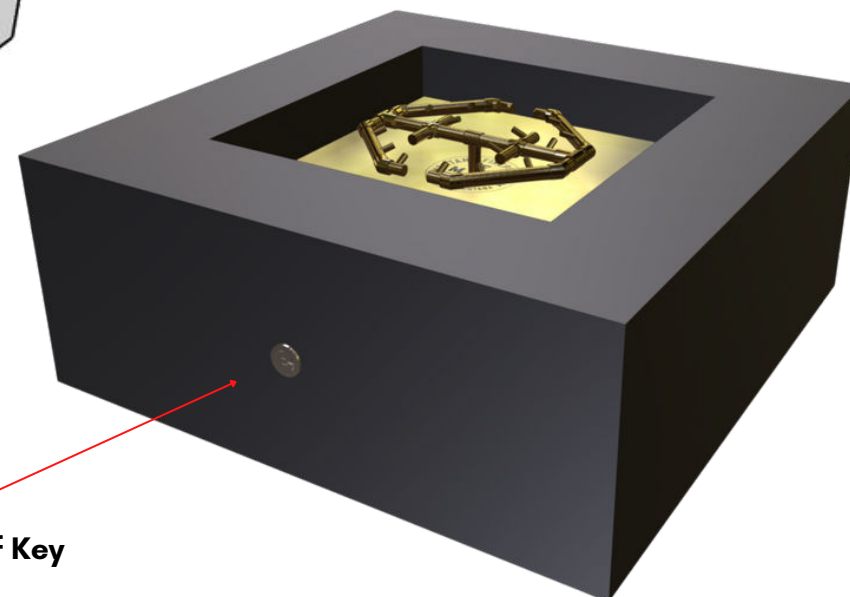
Fuel Pressure: Natural Gas: 7" Water Column
Propane: 11" Water Column

Protective Finish:
Powder Coating



Ventilation: Includes 4 adjustable feet to create ventilation gap.

Fuel Inlet Size: 3/4" I.D. Female



Location of Key

The Venture Series



Glacier Fire Table

40" x 40"



CONFIDENTIAL
Any information data and drawings embodied in this document are proprietary and strictly confidential, are to be held as confidential and supplied with the understanding that they will not be disclosed, in whole or in part or in any form, to third parties without the prior written consent of Montana Fire Pits. All information, illustrations, screen shots, and data contained are herein Copyright © Montana Fire Pits. All rights reserved.

Model: Glacier 40 x 40

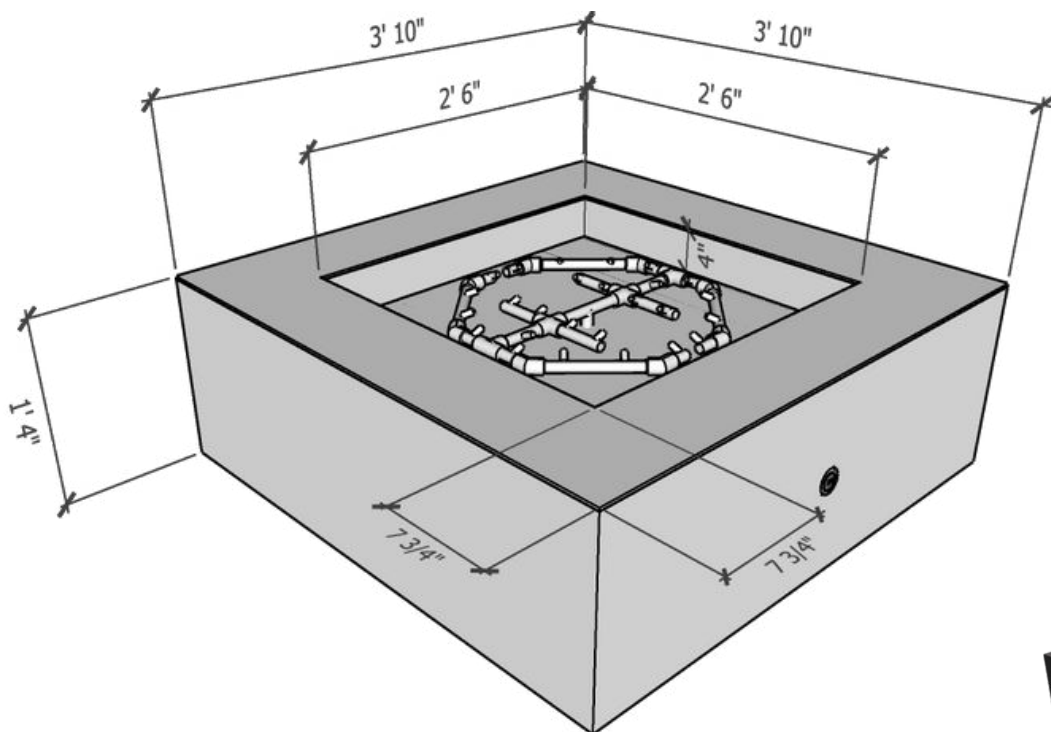
Weight: 290 lbs.

Material: 3/16" Mild Steel

BTU Options: 120,000 or 180,000

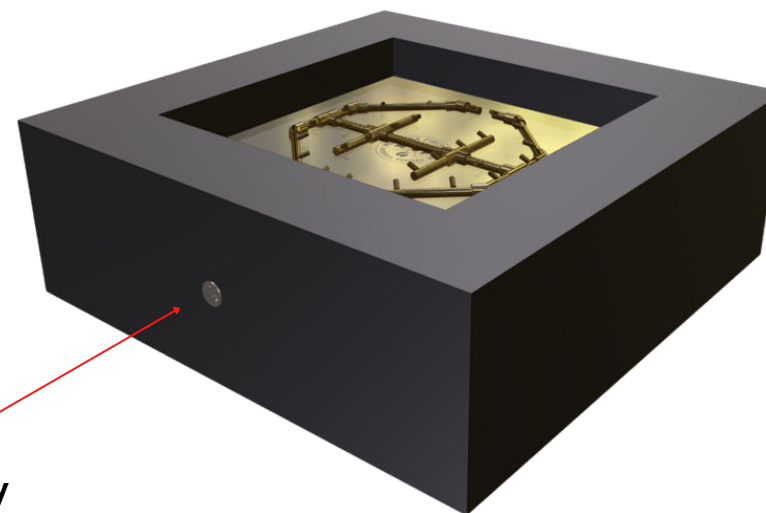
Fuel Pressure: Natural Gas: 7" Water Column
Propane: 11" Water Column

Protective Finish:
Powder Coating



Ventilation: Includes 4 adjustable feet to create ventilation gap.

Fuel Inlet Size: 3/4" I.D. Female



Location of Key

The Venture Series



Glacier Fire Table

46" x 46"



**MONTANA
FIRE PITS**

www.montanafirepits.com

CONFIDENTIAL

Any information data and drawings embodied in this document are proprietary and strictly confidential, are to be held as confidential and supplied with the understanding that they will not be disclosed, in whole or in part or in any form, to third parties without the prior written consent of Montana Fire Pits. All information, illustrations, screen shots, and data contained are herein Copyright © Montana Fire Pits. All rights reserved.

Model: Glacier 46 x 46

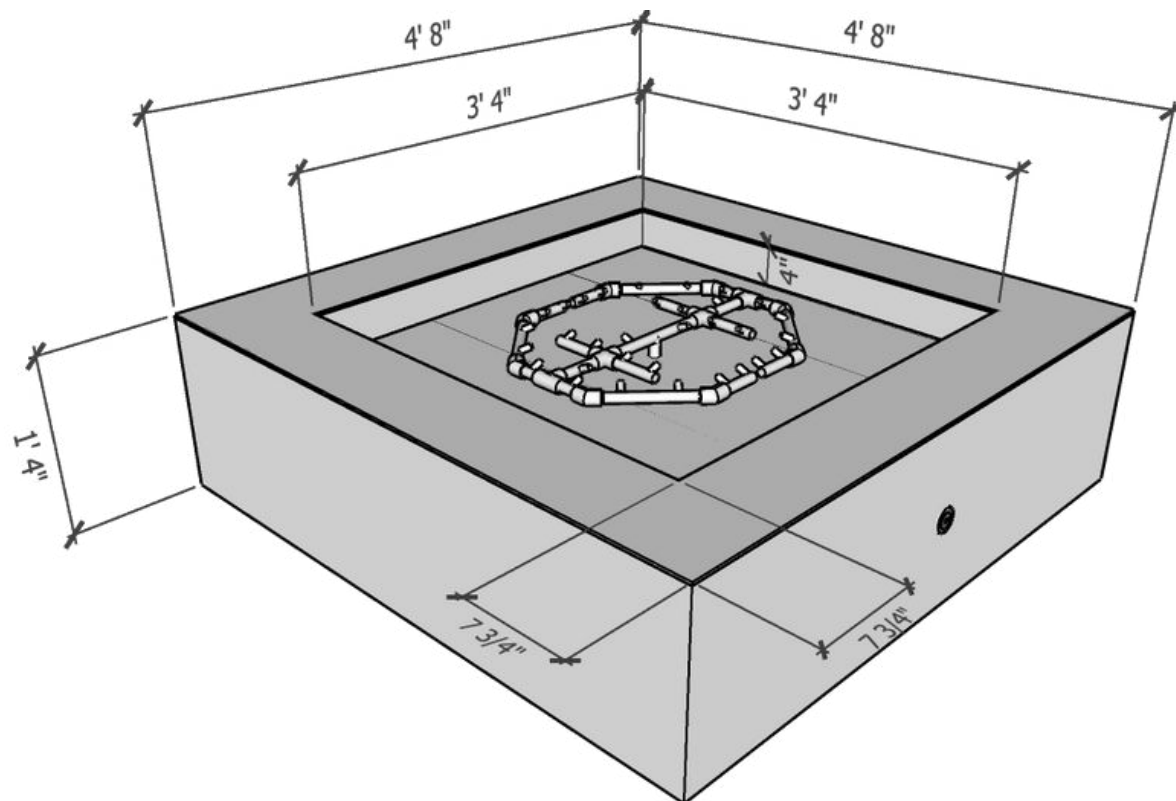
Weight: 325 lbs.

Material: 3/16" Mild Steel

BTU Options: 180,000, 240,000, 280,000

Fuel Pressure: Natural Gas: 7" Water Column
Propane: 11" Water Column

Protective Finish:
Powder Coating



Ventilation: Includes 4 adjustable feet to create ventilation gap.

Fuel Inlet Size: 3/4" I.D. Female

The Venture Series



Glacier Fire Table

56" x 56"

Location of Key



CONFIDENTIAL
Any information data and drawings embodied in this document are proprietary and strictly confidential, are to be held as confidential and supplied with the understanding that they will not be disclosed, in whole or in part or in any form, to third parties without the prior written consent of Montana Fire Pits. All information, illustrations, screen shots, and data contained are herein Copyright © Montana Fire Pits. All rights reserved.

Model: Glacier 56 x 56

Weight: 400 lbs.

Material: 3/16" Mild Steel

BTU Options: 240,000, 280,000 or 32,000

Fuel Pressure: Natural Gas: 7" Water Column
Propane: 11" Water Column

Protective Finish:
Powder Coating