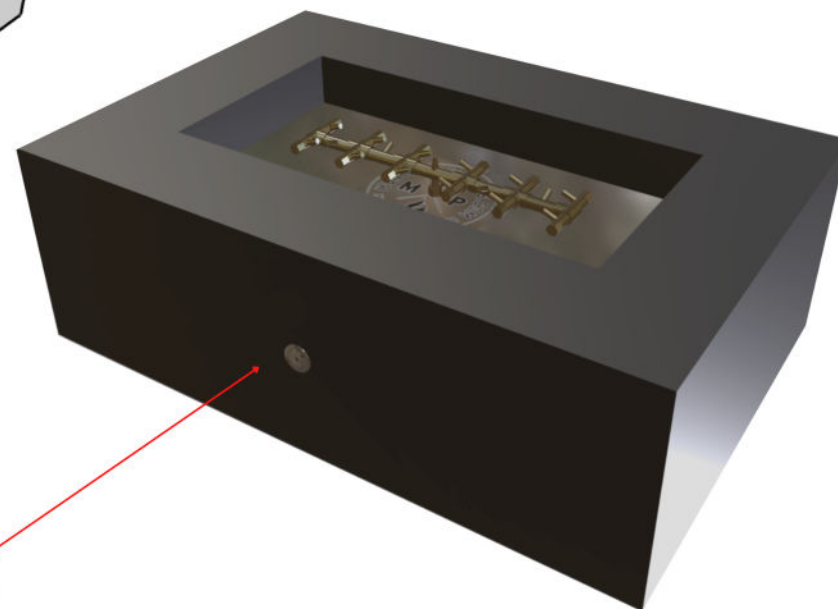


Ventilation: Includes 4 adjustable feet to create ventilation gap.

Fuel Inlet Size: 3/4" I.D. Female



Location of Key

The Venture Series



Olympic Fire Table

48" x 32"



CONFIDENTIAL
Any information data and drawings embodied in this document are proprietary and strictly confidential, are to be held as confidential and supplied with the understanding that they will not be disclosed, in whole or in part or in any form, to third parties without the prior written consent of Montana Fire Pits. All information, illustrations, screen shots, and data contained are herein Copyright © Montana Fire Pits. All rights reserved.

Model: Olympic 48 x 32

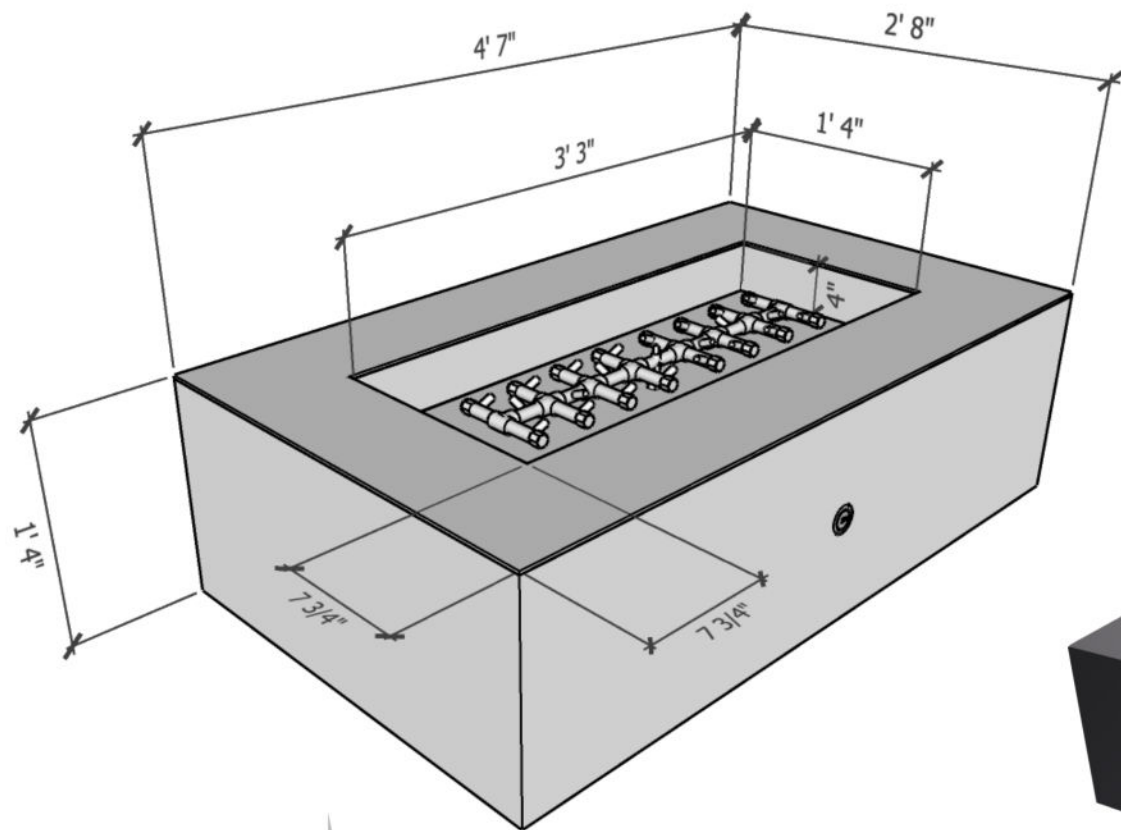
Weight: 300lbs

Material: 3/16" Mild Steel

BTU Options: 130,000 or 140,000

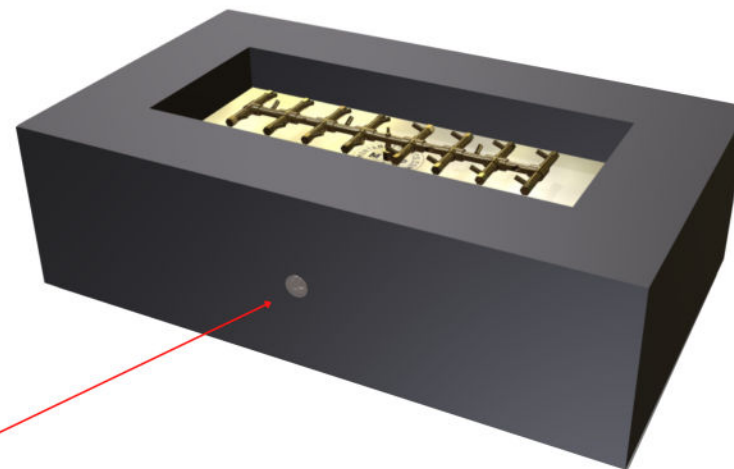
Fuel Pressure: Natural Gas: 7" Water Column
Propane: 11" Water Column

Protective Finish:
Powder Coating



Ventilation: Includes 4 adjustable feet to create ventilation gap.

Fuel Inlet Size: 3/4" I.D. Female



Location of Key

The Venture Series



Olympic Fire Table

55" x 32"



CONFIDENTIAL
Any information data and drawings embodied in this document are proprietary and strictly confidential, are to be held as confidential and supplied with the understanding that they will not be disclosed, in whole or in part or in any form, to third parties without the prior written consent of Montana Fire Pits. All information, illustrations, screen shots, and data contained are herein Copyright © Montana Fire Pits. All rights reserved.

Model: Olympic 55 x 32

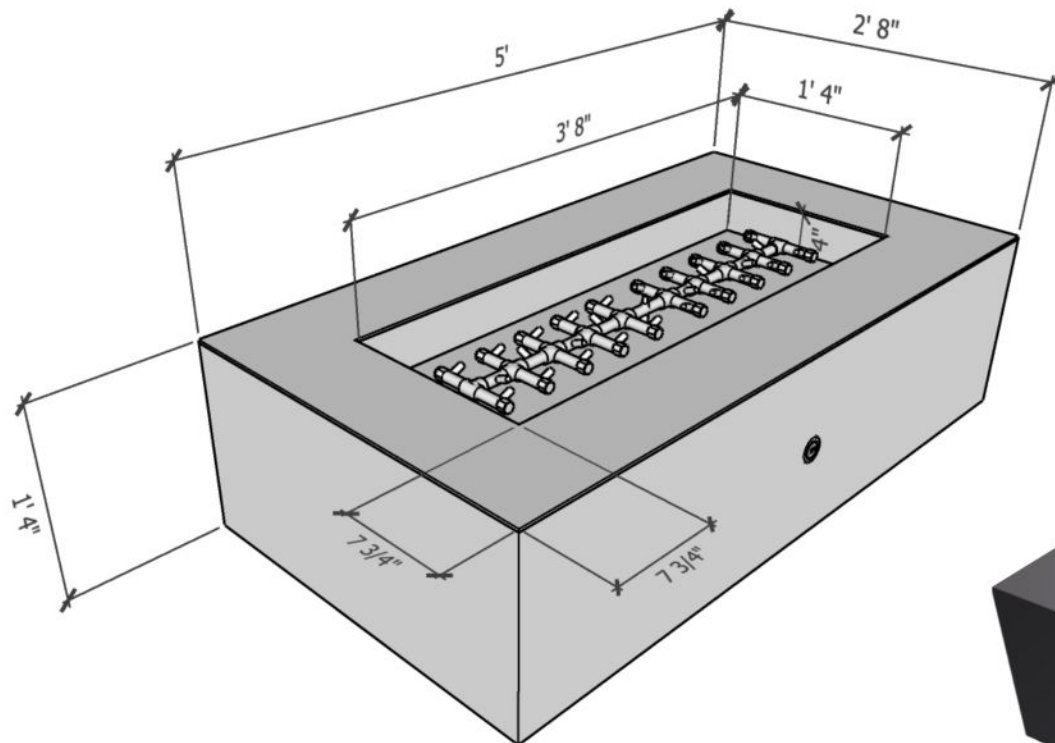
Weight: 345lbs

Material: 3/16" Mild Steel

BTU Options: 150,000 or 230,000

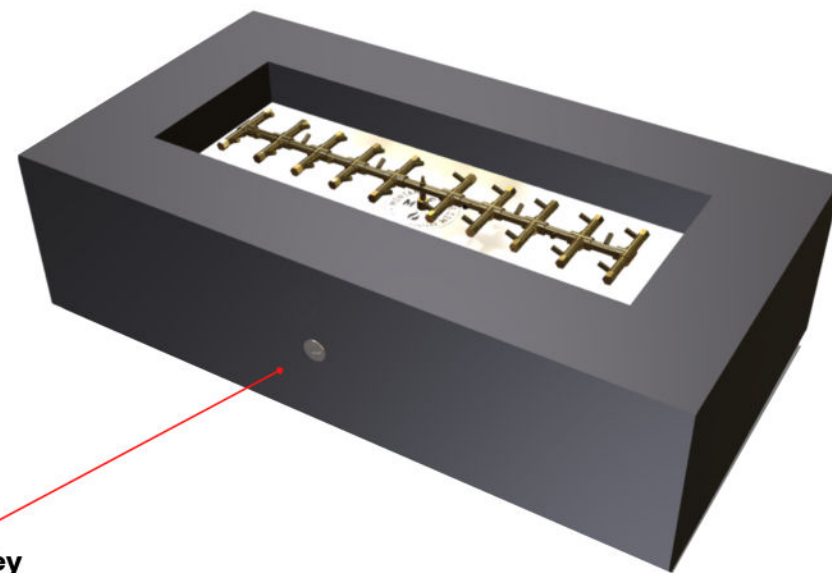
Fuel Pressure: Natural Gas: 7" Water Column
Propane: 11" Water Column

Protective Finish:
Powder Coating



Ventilation: Includes 4 adjustable feet to create ventilation gap.

Fuel Inlet Size: 3/4" I.D. Female



The Venture Series



Olympic Fire Table

60" x 32"

Location of Key



CONFIDENTIAL
Any information data and drawings embodied in this document are proprietary and strictly confidential, are to be held as confidential and supplied with the understanding that they will not be disclosed, in whole or in part or in any form, to third parties without the prior written consent of Montana Fire Pits. All information, illustrations, screen shots, and data contained are herein Copyright © Montana Fire Pits. All rights reserved.

Model: Olympic 60 x 32

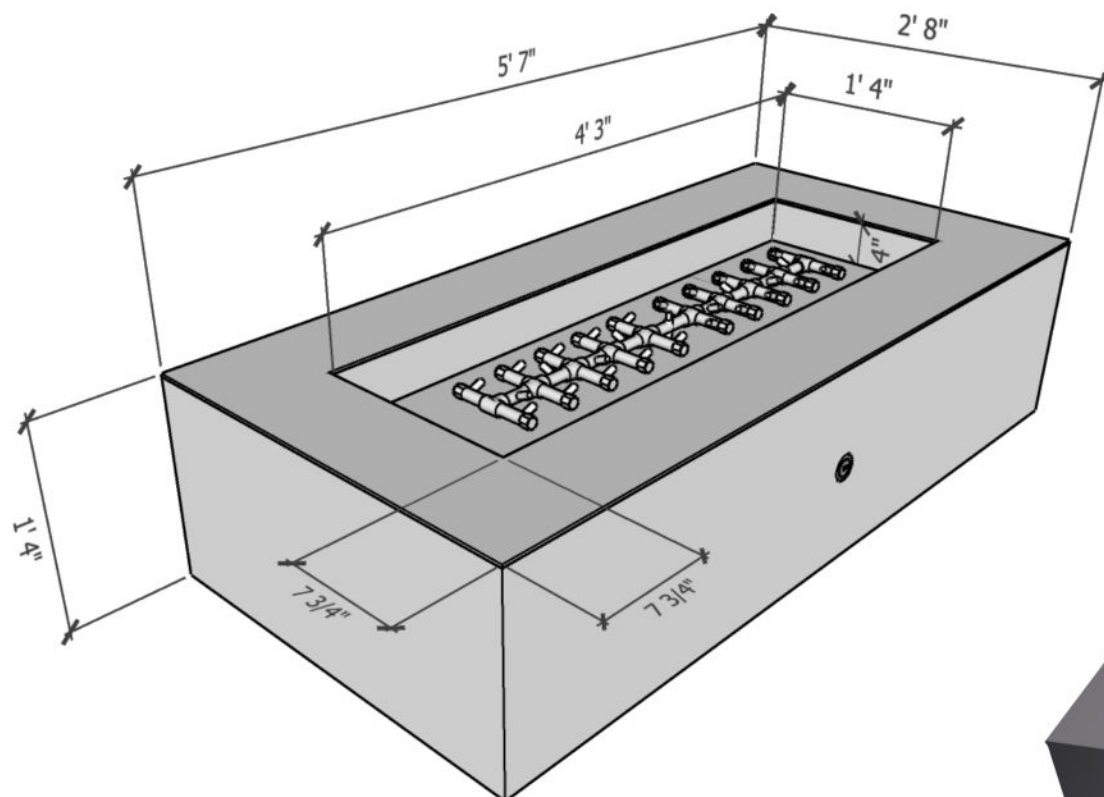
Weight: 400lbs

Material: 3/16" Mild Steel

BTU Options: 170,000 or 290,000

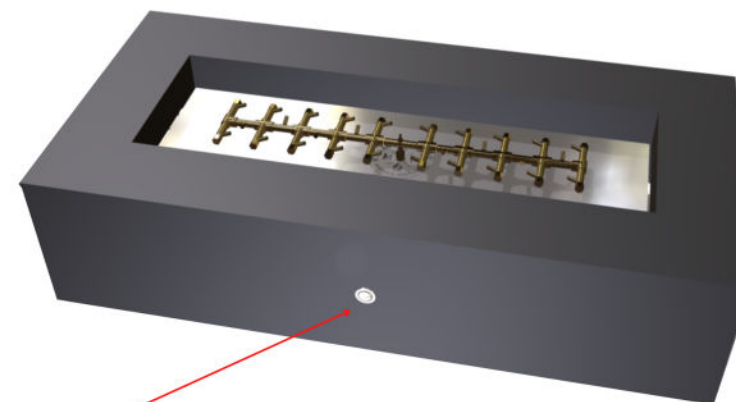
Fuel Pressure: Natural Gas: 7" Water Column
Propane: 11" Water Column

Protective Finish:
Powder Coating



Ventilation: Includes 4 adjustable feet to create ventilation gap.

Fuel Inlet Size: 3/4" I.D. Female



Location of Key

The Venture Series



Olympic Fire Table

67" x 32"



CONFIDENTIAL
Any information data and drawings embodied in this document are proprietary and strictly confidential, are to be held as confidential and supplied with the understanding that they will not be disclosed, in whole or in part or in any form, to third parties without the prior written consent of Montana Fire Pits. All information, illustrations, screen shots, and data contained are herein Copyright © Montana Fire Pits. All rights reserved.

Model: Olympic 67 x 32

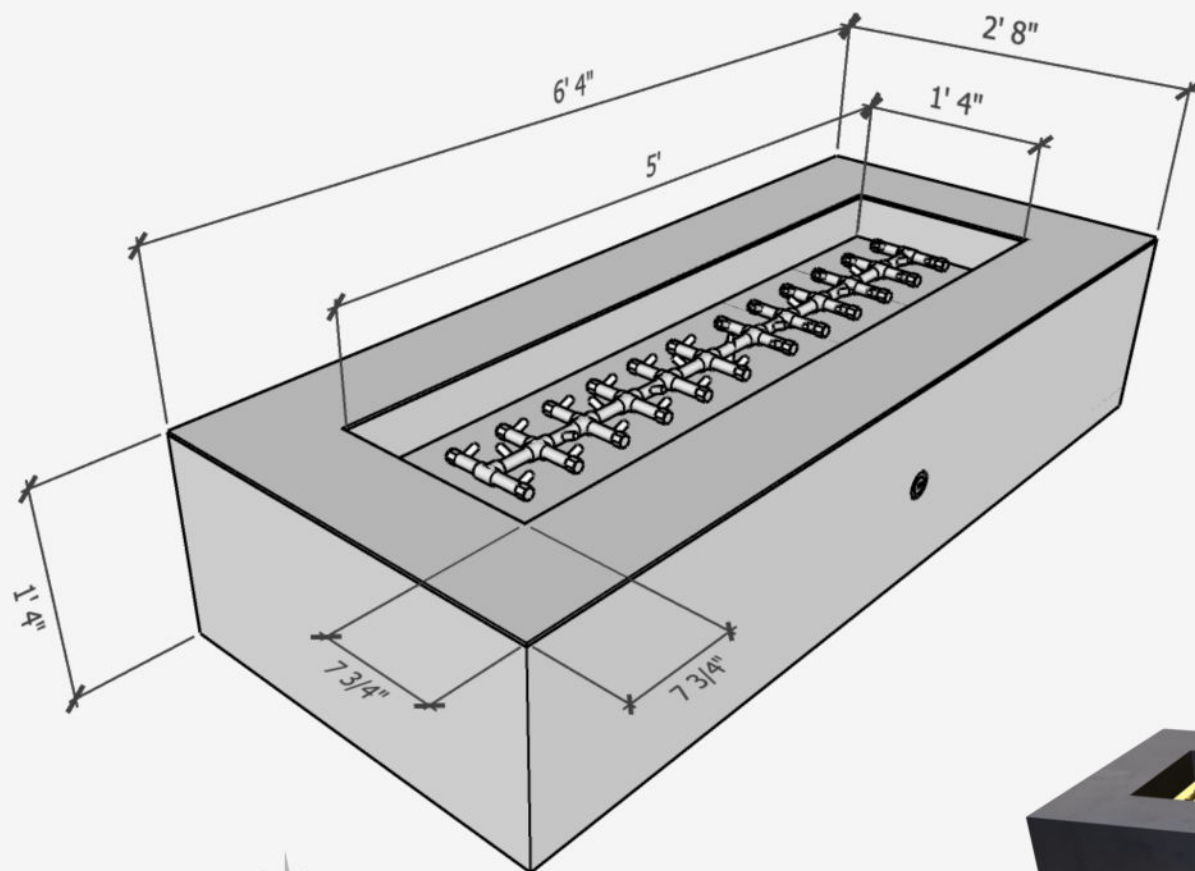
Weight: 450lbs

Material: 3/16" Mild Steel

BTU Options: 210,000 or 290,000

Fuel Pressure: Natural Gas: 7" Water Column
Propane: 11" Water Column

Protective Finish:
Powder Coating



Ventilation: Includes 4 adjustable feet to create ventilation gap.

Fuel Inlet Size: 3/4" I.D. Female



Location of Key

The Venture Series 
Olympic Fire Table
76" x 32"



CONFIDENTIAL
Any information data and drawings embodied in this document are proprietary and strictly confidential, are to be held as confidential and supplied with the understanding that they will not be disclosed, in whole or in part or in any form, to third parties without the prior written consent of Montana Fire Pits. All information, illustrations, screen shots, and data contained are herein Copyright © Montana Fire Pits. All rights reserved.

Model: Olympic 76 x 32

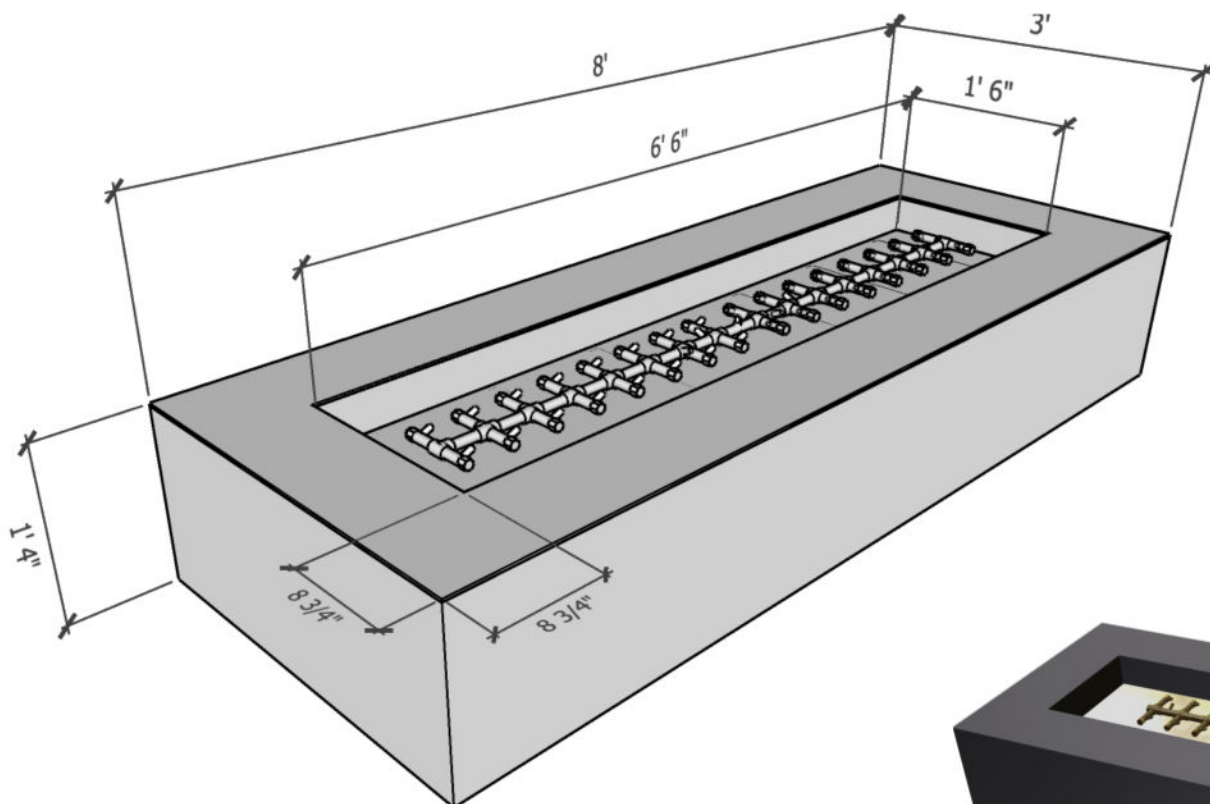
Weight: 500lbs

Material: 3/16" Mild Steel

BTU Options: 250,000 or 350,000

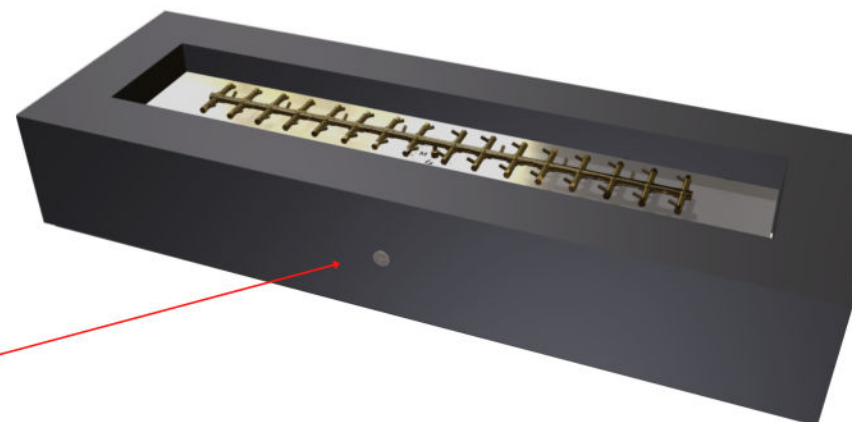
Fuel Pressure: Natural Gas: 7" Water Column
Propane: 11" Water Column

Protective Finish:
Powder Coating



Ventilation: Includes 4 adjustable feet to create ventilation gap.

Fuel Inlet Size: 3/4" I.D. Female



Location of Key

The Venture Series



Olympic Fire Table

86" x 32"



**MONTANA
FIRE PITS**

www.montanafirepits.com

CONFIDENTIAL
Any information data and drawings embodied in this document are proprietary and strictly confidential, are to be held as confidential and supplied with the understanding that they will not be disclosed, in whole or in part or in any form, to third parties without the prior written consent of Montana Fire Pits. All information, illustrations, screen shots, and data contained are herein Copyright © Montana Fire Pits. All rights reserved.

Model: Olympic 86 x 32

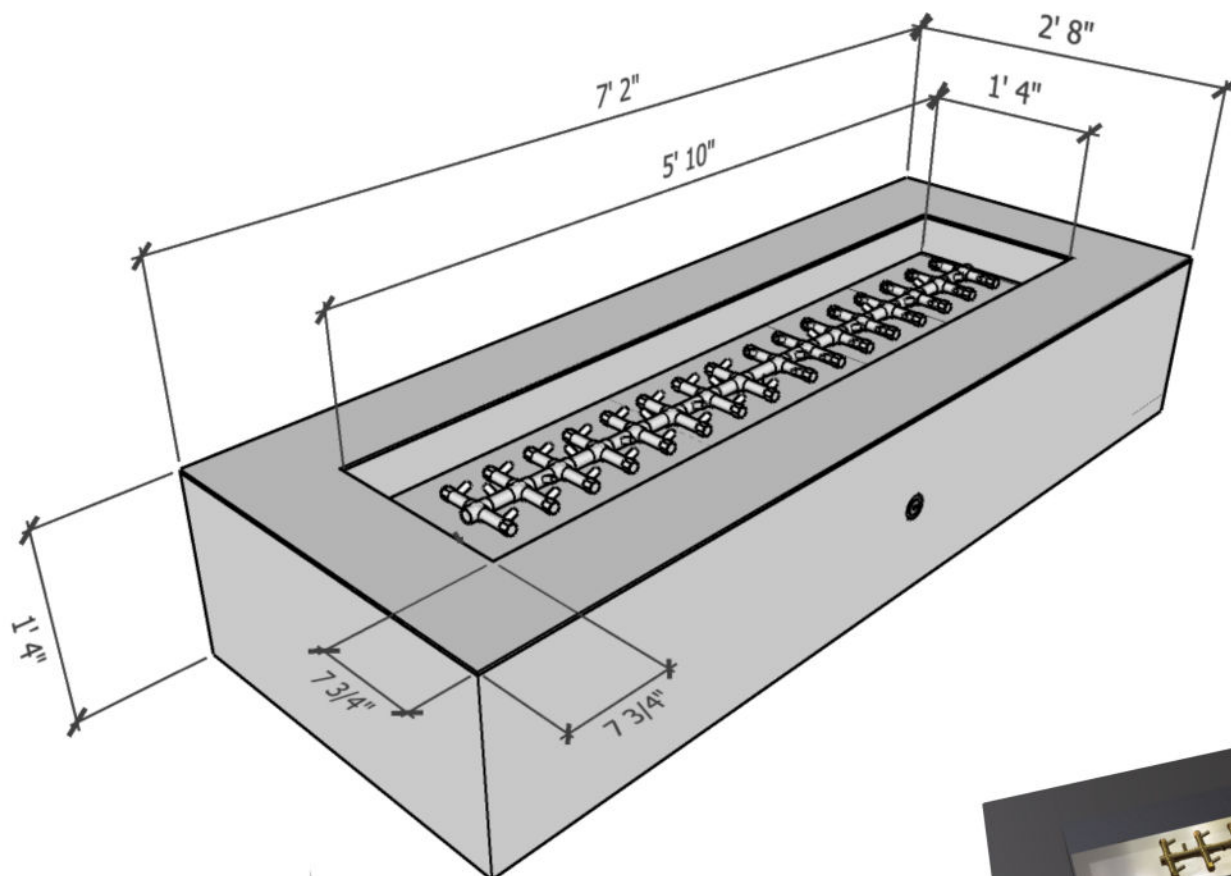
Weight: 575lbs

Material: 3/16" Mild Steel

BTU Options: 310,000 or 410,000

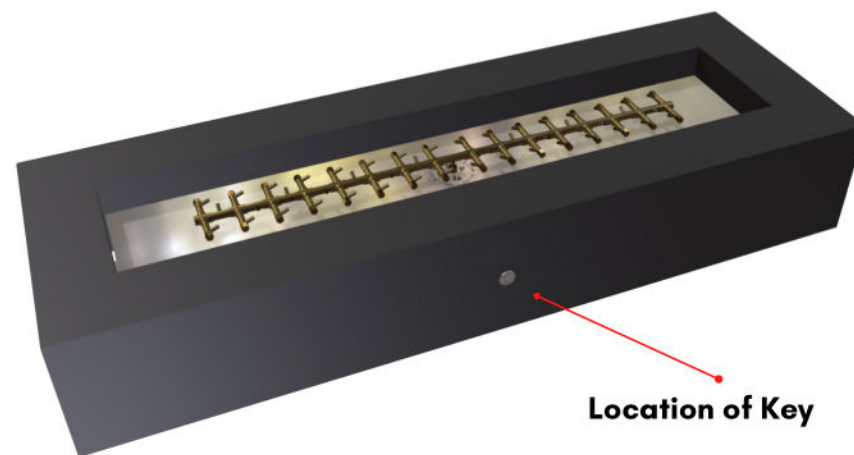
Fuel Pressure: Natural Gas: 7" Water Column
Propane: 11" Water Column

Protective Finish:
Powder Coating



Ventilation: Includes 4 adjustable feet to create ventilation gap.

Fuel Inlet Size: 3/4" I.D. Female



The Venture Series



Olympic Fire Table

96" x 32"



CONFIDENTIAL
Any information data and drawings embodied in this document are proprietary and strictly confidential, are to be held as confidential and supplied with the understanding that they will not be disclosed, in whole or in part or in any form, to third parties without the prior written consent of Montana Fire Pits. All information, illustrations, screen shots, and data contained are herein Copyright © Montana Fire Pits. All rights reserved.

Model: Olympic 96 x 32

Weight:

Material: 3/16" Mild Steel

BTU Options: 470,000

Fuel Pressure: Natural Gas: 7" Water Column
Propane: 11" Water Column

Protective Finish:
Powder Coating