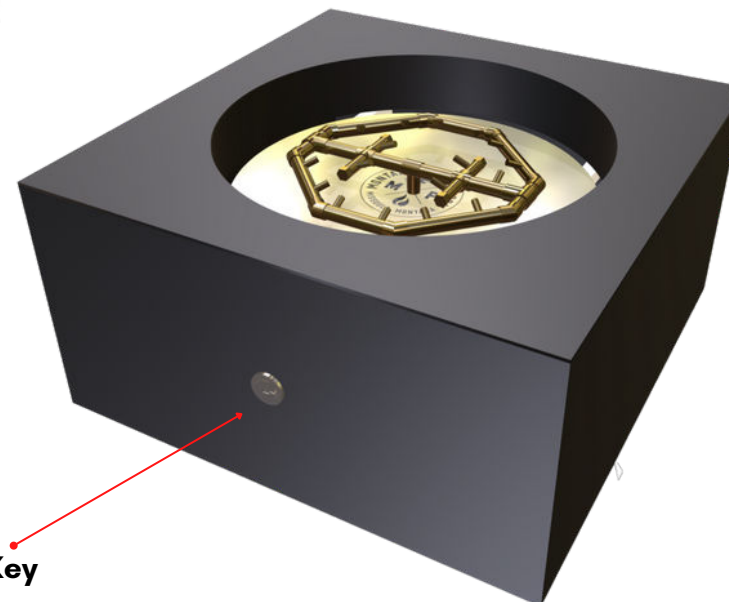


**Ventilation:** Includes 4 adjustable feet to create ventilation gap.

**Fuel Inlet Size:** 3/4" I.D. Female



Location of Key

The Venture Series



# Zion Fire Table

## 32" x 32"



**CONFIDENTIAL**

Any information data and drawings embodied in this document are proprietary and strictly confidential, are to be held as confidential and supplied with the understanding that they will not be disclosed, in whole or in part or in any form, to third parties without the prior written consent of Montana Fire Pits. All information, illustrations, screen shots, and data contained are herein Copyright © Montana Fire Pits. All rights reserved.

**Model:** Zion 32 x 32

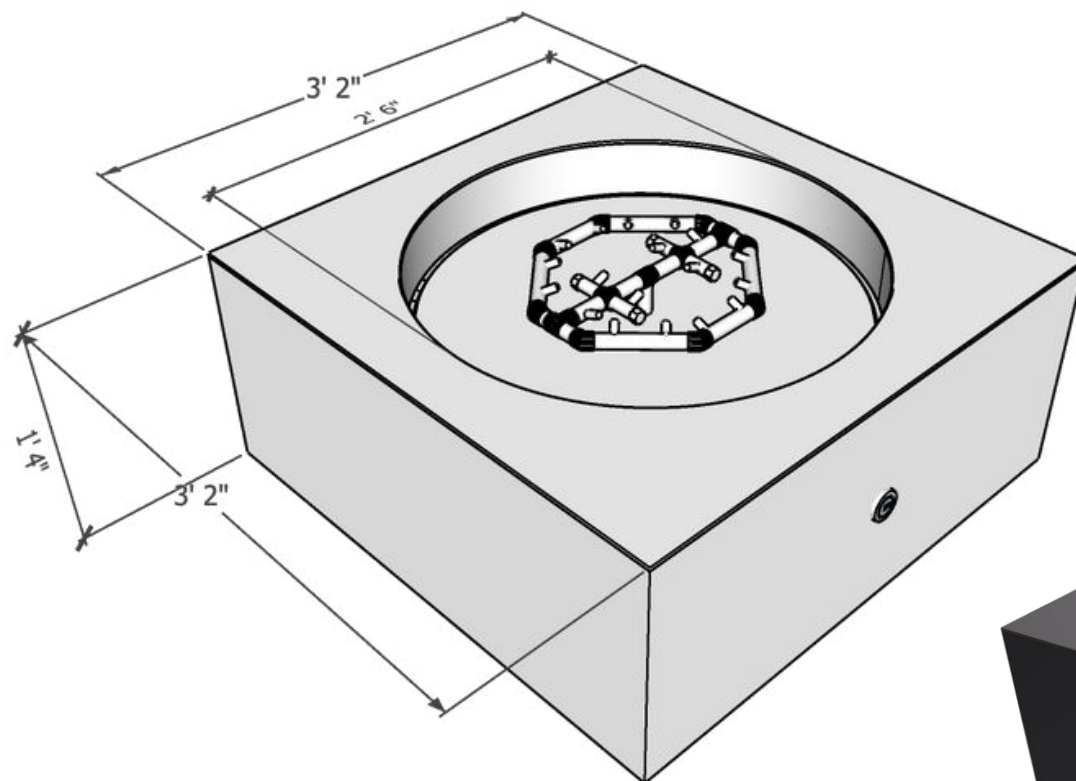
**Weight:** 275 lbs.

**Material:** 3/16" Mild Steel

**BTU Options:** 120,000 or 180,000

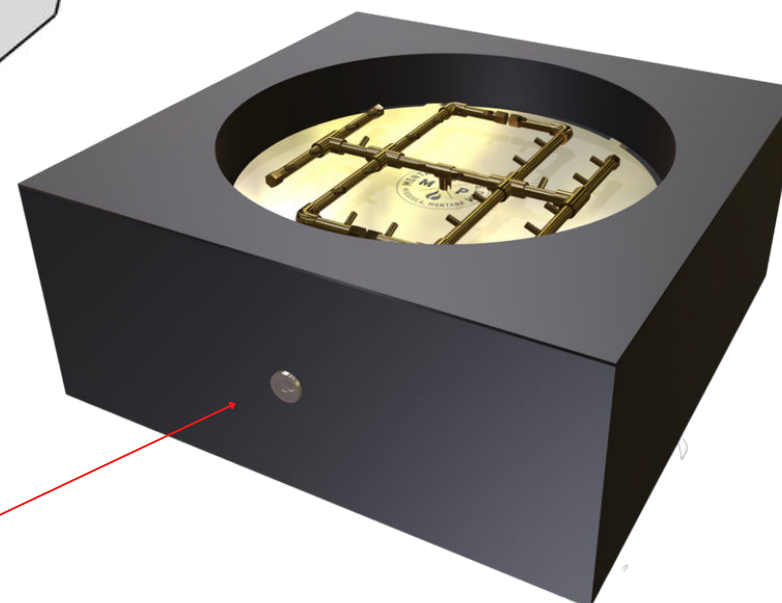
**Fuel Pressure:** Natural Gas: 7" Water Column  
Propane: 11" Water Column

**Protective Finish:**  
Powder Coating



**Ventilation:** Includes 4 adjustable feet to create ventilation gap.

**Fuel Inlet Size:** 3/4" I.D. Female



Location of Key

The Venture Series



# Zion Fire Table

## 38" x 38"



**CONFIDENTIAL**  
Any information data and drawings embodied in this document are proprietary and strictly confidential, are to be held as confidential and supplied with the understanding that they will not be disclosed, in whole or in part or in any form, to third parties without the prior written consent of Montana Fire Pits. All information, illustrations, screen shots, and data contained are herein Copyright © Montana Fire Pits. All rights reserved.

**Model:** Zion 38 x 38

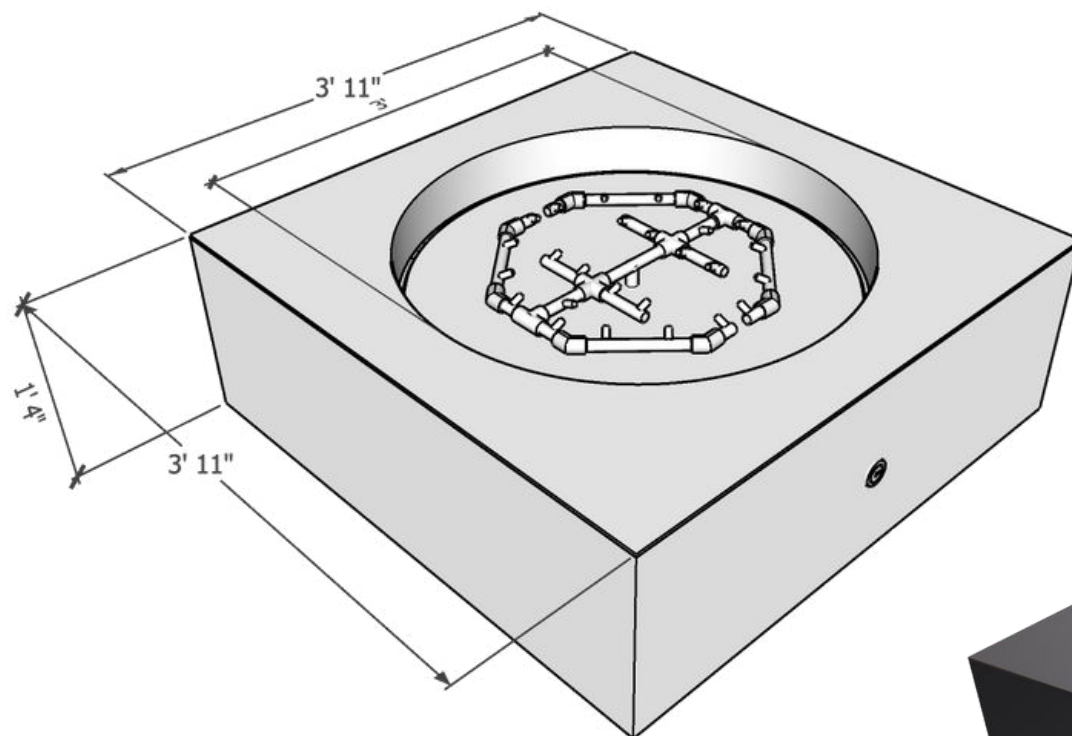
**Weight:** 350 lbs.

**Material:** 3/16" Mild Steel

**BTU Options:** 180K, 240K, or 280K

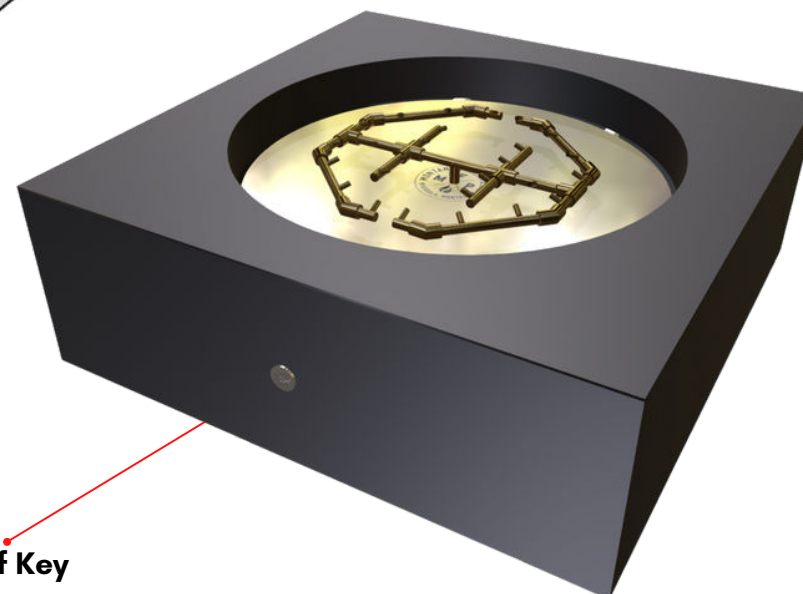
**Fuel Pressure:** Natural Gas: 7" Water Column  
Propane: 11" Water Column

**Protective Finish:**  
Powder Coating



**Ventilation:** Includes 4 adjustable feet to create ventilation gap.

**Fuel Inlet Size:** 3/4" I.D. Female



Location of Key

The Venture Series



# Zion Fire Table

## 47" x 47"



# MONTANA FIRE PITS

www.montanafirepits.com

**CONFIDENTIAL**

Any information data and drawings embodied in this document are proprietary and strictly confidential, are to be held as confidential and supplied with the understanding that they will not be disclosed, in whole or in part or in any form, to third parties without the prior written consent of Montana Fire Pits. All information, illustrations, screen shots, and data contained are herein Copyright © Montana Fire Pits. All rights reserved.

**Model:** Zion 47 x 47

**Weight:** 425 lbs.

**Material:** 3/16" Mild Steel

**BTU Options:** 240K, 280K, or 320K

**Fuel Pressure:** Natural Gas: 7" Water Column  
Propane: 11" Water Column

**Protective Finish:**  
Powder Coating