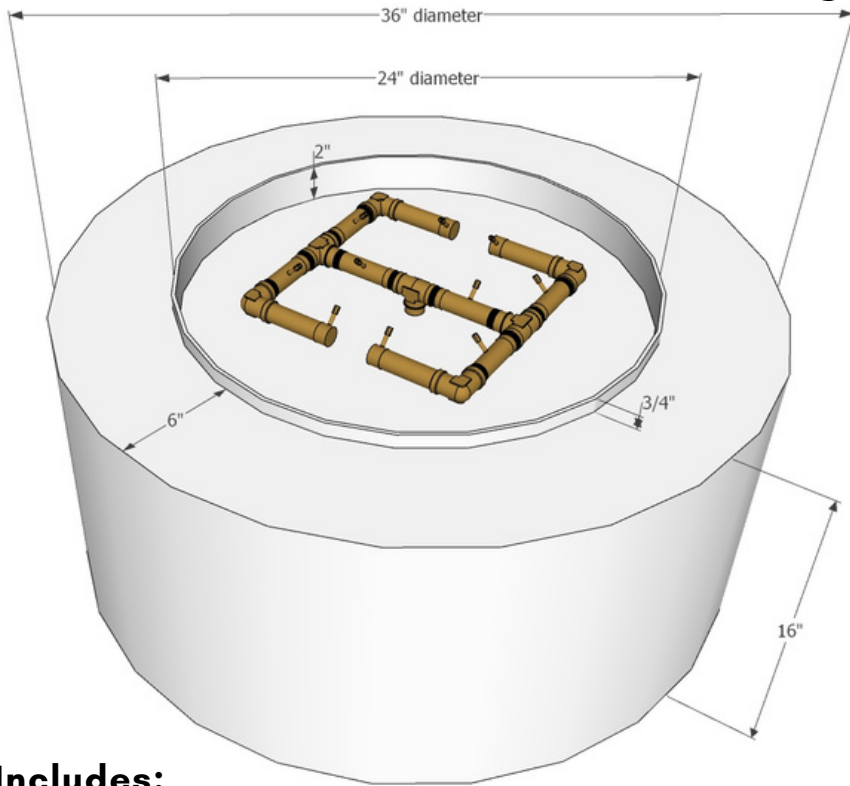
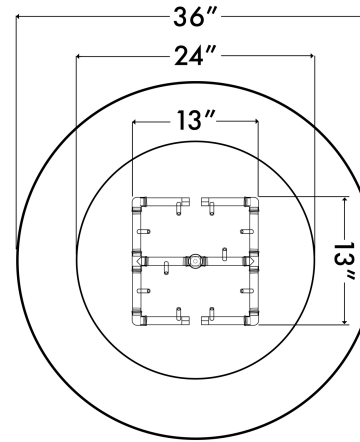


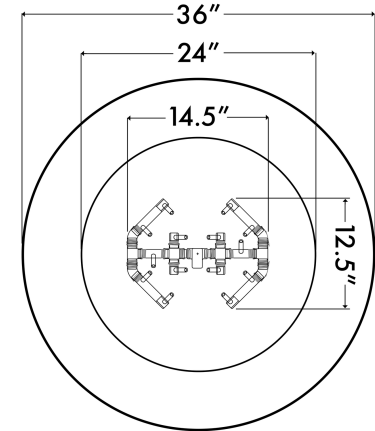
36" Diameter x 16" Height Ready to Finish Fire Pit Kit



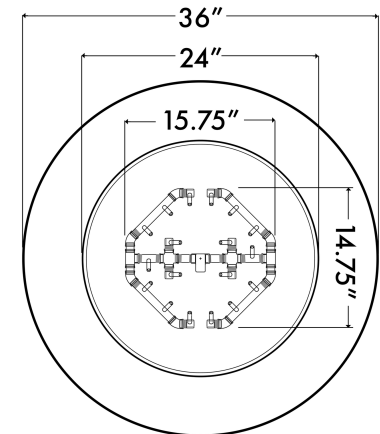
Fuel Inlet Size: 3/4" I.D. Female



standard CFB120



with CFB0140



with CFB0180

Includes:

- Warming Trends Crossfire Brass Burner (see options)
- 24" Round Aluminum Pan with 2" Sidewalls
- Fire Pit Vent Kit (2 silver vents to be installed on-site near bottom of feature)
- 3/4" Flex Line Kit
- 4" Key Valve Extension
- Key Valve Mounting Bracket

Optional Add-On: adjustable feet (up to 4 inches)
 (Feet can create sufficient ventilation that can replace the vents.)



CONFIDENTIAL
 Any information data and drawings embodied in this document are proprietary and strictly confidential, are to be held as confidential and supplied with the understanding that they will not be disclosed, in whole or in part or in any form, to third parties without the prior written consent of Montana Fire Pits. All information, illustrations, screen shots, and data contained are herein Copyright © Montana Fire Pits. All rights reserved.

Model: 36" Diameter x 16" Height Ready to Finish Fire Pit Kit

Ledge Size: 6"

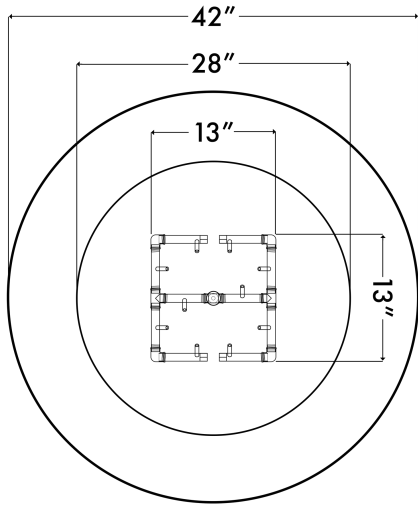
Burner: Standard - CFB120 120K BTUs
Upgrades: CFB0140 140K BTUs **OR** CFB0180 180K BTUs

Weight: 90 lbs

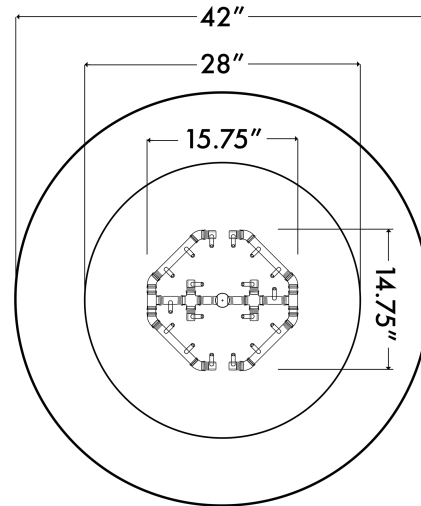
Fuel Pressure: Natural Gas: 7" Water Column
 Propane: 11" Water Column

Material: Aluminum frame w/ optional GoBoard

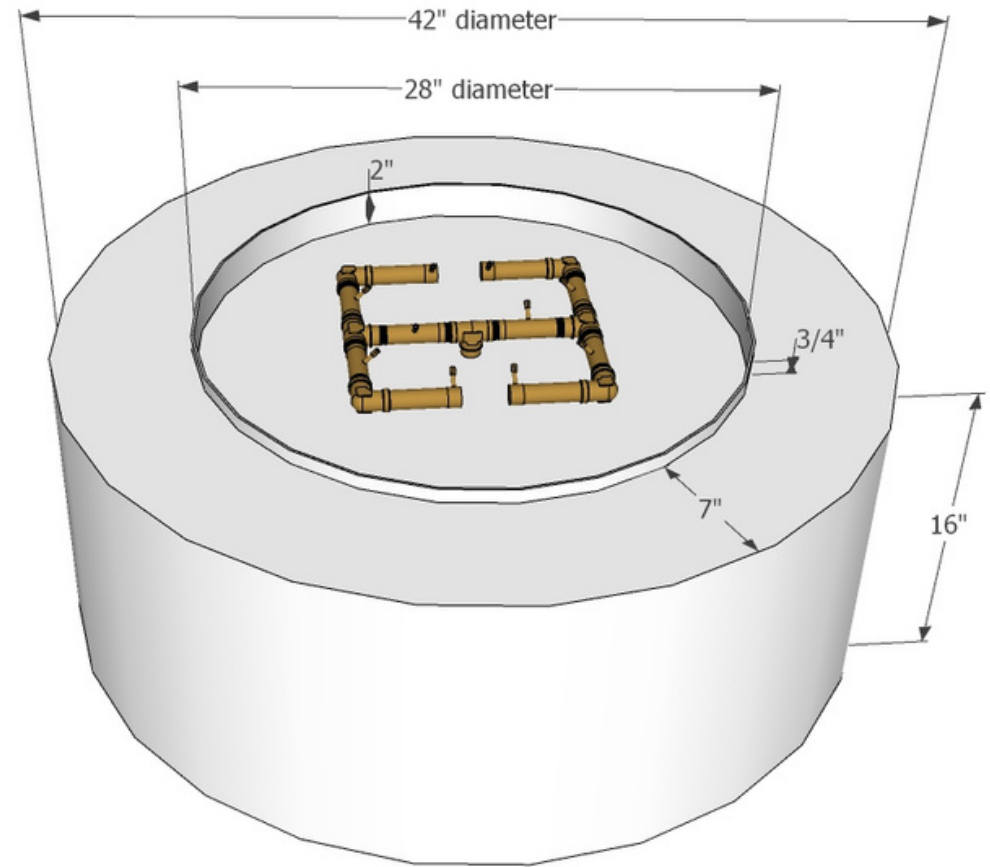
42" Diameter x 16" Height Ready to Finish Fire Pit Kit



standard CFB120



with CFBO180



Fuel Inlet Size: 3/4" I.D. Female

Includes:

- Warming Trends Crossfire Brass Burner (see options)
- 28" Round Aluminum Pan with 2" Sidewalls
- Fire Pit Vent Kit (2 silver vents to be installed on-site near bottom of feature)
- 3/4" Flex Line Kit
- 4" Key Valve Extension
- Key Valve Mounting Bracket

Optional Add-On: adjustable feet (up to 4 inches)

(Feet can create sufficient ventilation that can replace the vents.)



CONFIDENTIAL

Any information data and drawings embodied in this document are proprietary and strictly confidential, are to be held as confidential and supplied with the understanding that they will not be disclosed, in whole or in part or in any form, to third parties without the prior written consent of Montana Fire Pits. All information, illustrations, screen shots, and data contained are herein Copyright © Montana Fire Pits. All rights reserved.

Model: 42" Diameter x 16" Height Ready to Finish Fire Pit Kit

Ledge Size: 7"

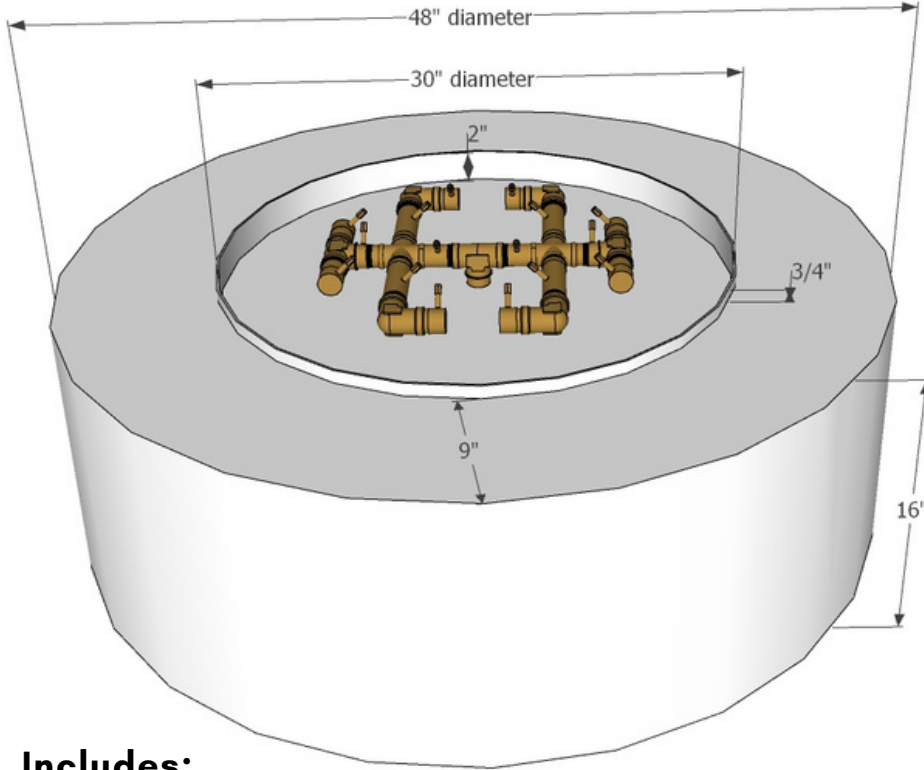
Burner: Standard - CFB120 120K BTUs
Upgrade: CFBO180 180K BTUs

Weight: 105 lbs

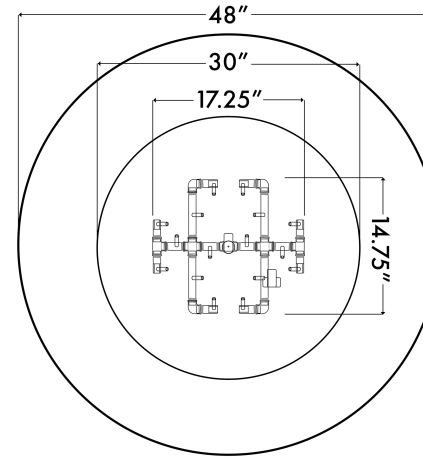
Fuel Pressure: Natural Gas: 7" Water Column
Propane: 11" Water Column

Material: Aluminum frame
w/ optional GoBoard

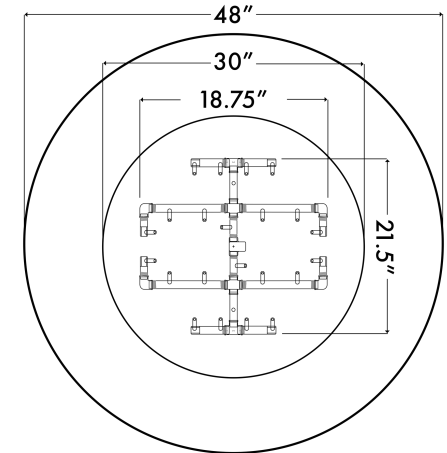
48" Diameter x 16" Height Ready to Finish Fire Pit Kit



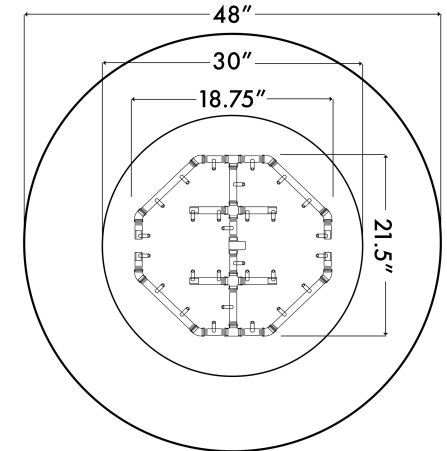
Fuel Inlet Size: 3/4" I.D. Female



standard CFB180



with CFB240



with CFBO280

Includes:

- Warming Trends Crossfire Brass Burner (see options)
- 30" Round Aluminum Pan with 2" Sidewalls
- Fire Pit Vent Kit (2 silver vents to be installed on-site near bottom of feature)
- 3/4" Flex Line Kit
- 4" Key Valve Extension
- Key Valve Mounting Bracket

Optional Add-On: adjustable feet (up to 4 inches)
(Feet can create sufficient ventilation that can replace the vents.)



CONFIDENTIAL
Any information data and drawings embodied in this document are proprietary and strictly confidential, are to be held as confidential and supplied with the understanding that they will not be disclosed, in whole or in part or in any form, to third parties without the prior written consent of Montana Fire Pits. All information, illustrations, screen shots, and data contained are herein Copyright © Montana Fire Pits. All rights reserved.

Model: 48" Diameter x 16" Height Ready to Finish Fire Pit Kit

Ledge Size: 9"

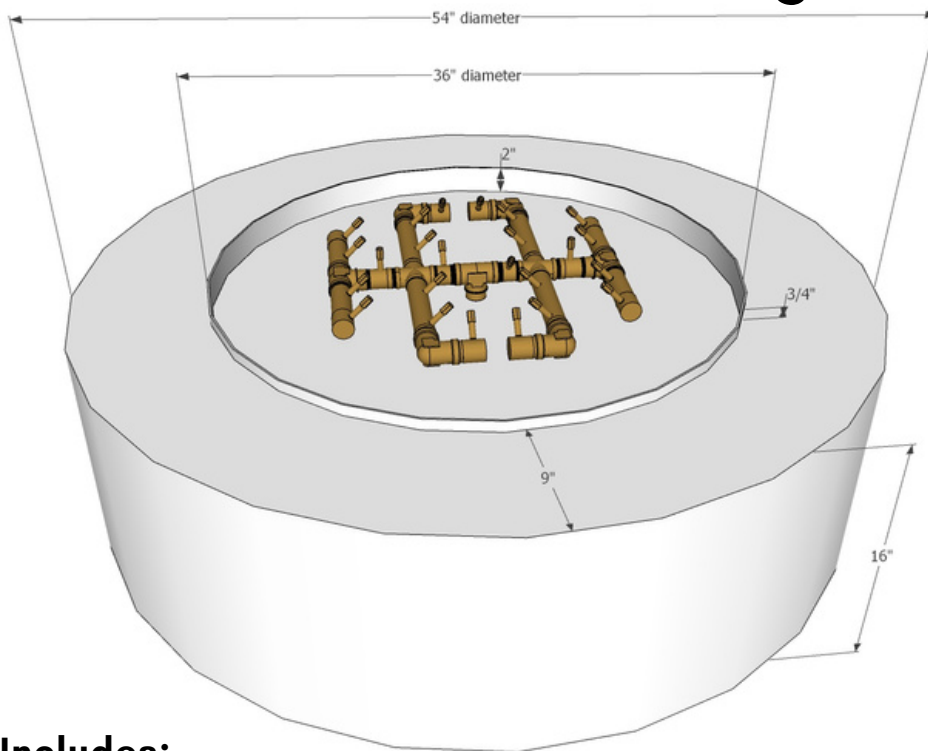
Burner: Standard - CFB180 180K BTUs
Upgrades: CFB240 240K BTUs **OR** CFBO280 280K BTUs

Weight:
120 lbs

Fuel Pressure: Natural Gas: 7" Water Column
Propane: 11" Water Column

Material: Aluminum frame w/ optional GoBoard

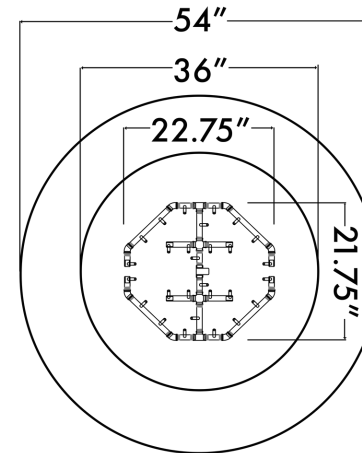
54" Diameter x 16" Height Ready to Finish Fire Pit Kit



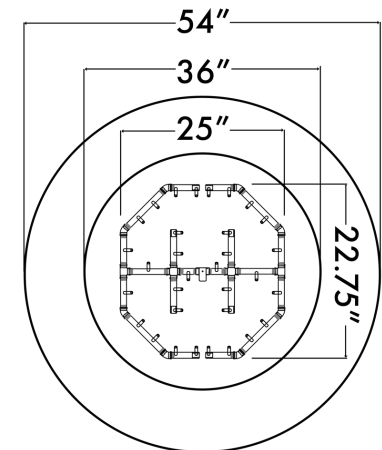
Includes:

- Warming Trends Crossfire Brass Burner (see options)
- 36" Round Aluminum Pan with 2" Sidewalls
- Fire Pit Vent Kit (2 silver vents to be installed on-site near bottom of feature)
- 3/4" Flex Line Kit
- 4" Key Valve Extension
- Key Valve Mounting Bracket

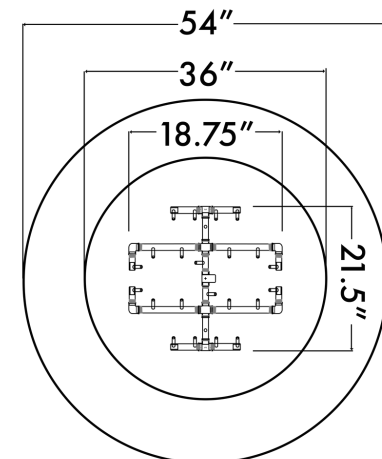
Fuel Inlet Size: 3/4" I.D. Female



standard CFB240



with CFB0280



with CFB0320

Optional Add-On: adjustable feet (up to 4 inches)

(Feet can create sufficient ventilation that can replace the vents.)



CONFIDENTIAL

Any information data and drawings embodied in this document are proprietary and strictly confidential, are to be held as confidential and supplied with the understanding that they will not be disclosed, in whole or in part or in any form, to third parties without the prior written consent of Montana Fire Pits. All information, illustrations, screen shots, and data contained are herein Copyright © Montana Fire Pits. All rights reserved.

Model: 54" Diameter x 16" Height Ready to Finish Fire Pit Kit

Ledge Size: 9"

Burner: Standard - CFB240 240K BTUs

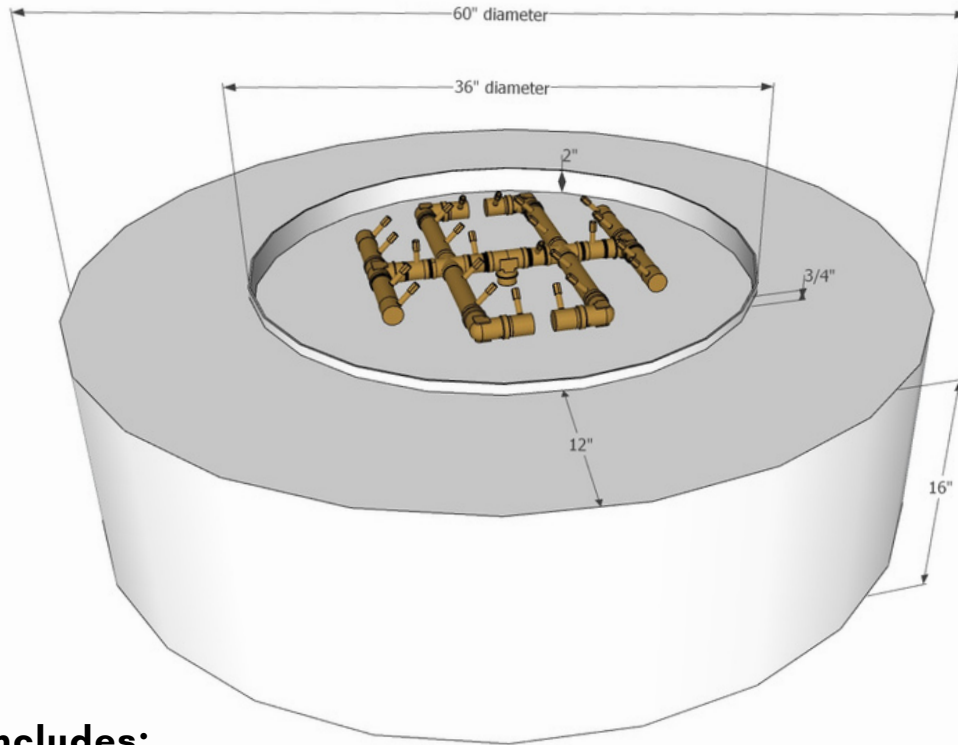
Upgrades: CFB0280 280K BTUs **OR** CFB0320 232K BTUs

Weight:
140 lbs

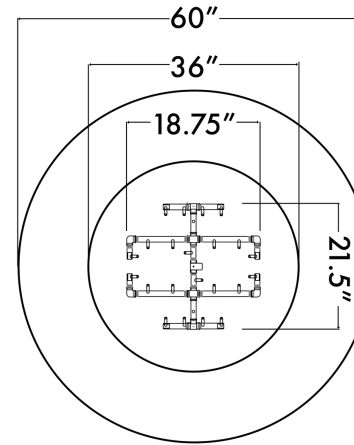
Fuel Pressure: Natural Gas: 7" Water Column
Propane: 11" Water Column

Material: Aluminum frame
w/ optional GoBoard

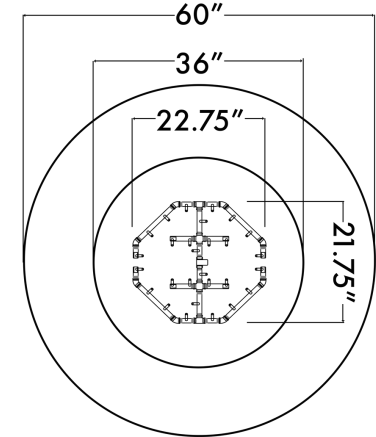
60" Diameter x 16" Height Ready to Finish Fire Pit Kit



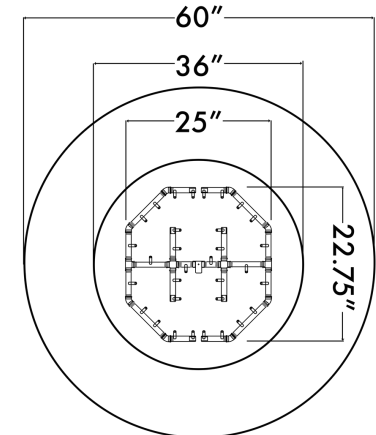
Fuel Inlet Size: 3/4" I.D. Female



standard CFB240



with CFB0280



with CFB0320

Includes:

- Warming Trends Crossfire Brass Burner (see options)
- 36" Round Aluminum Pan with 2" Sidewalls
- Fire Pit Vent Kit (2 silver vents to be installed on-site near bottom of feature)
- 3/4" Flex Line Kit
- 4" Key Valve Extension
- Key Valve Mounting Bracket

Optional Add-On: adjustable feet (up to 4 inches)
(Feet can create sufficient ventilation that can replace the vents.)



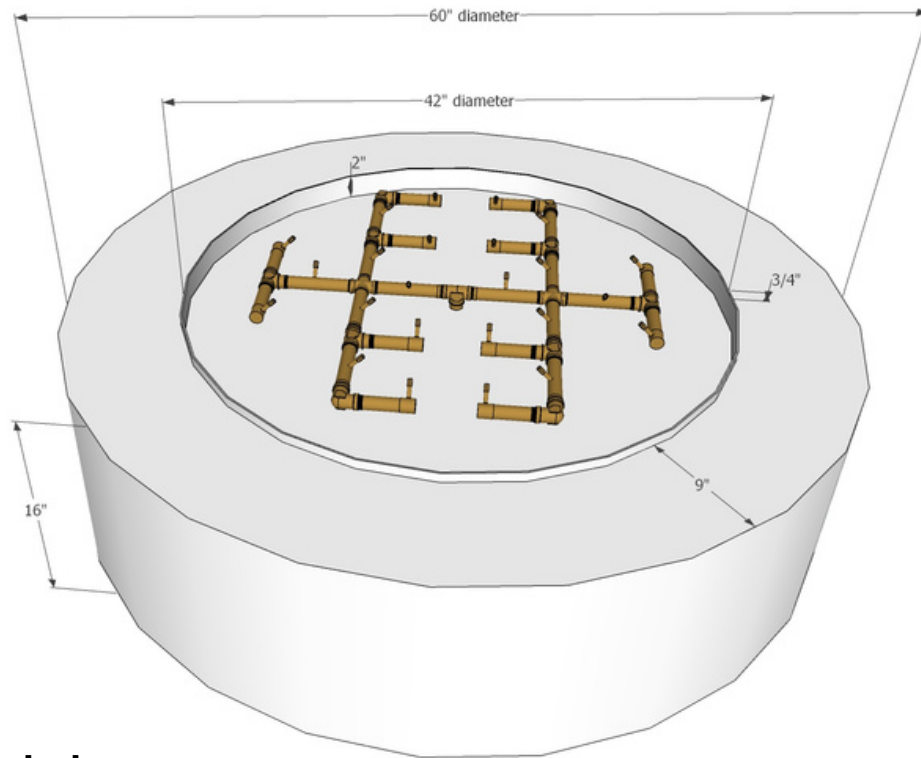
CONFIDENTIAL
Any information data and drawings embodied in this document are proprietary and strictly confidential, are to be held as confidential and supplied with the understanding that they will not be disclosed, in whole or in part or in any form, to third parties without the prior written consent of Montana Fire Pits. All information, illustrations, screen shots, and data contained are herein Copyright © Montana Fire Pits. All rights reserved.

Model: 60" Diameter x 16" Height Ready to Finish Fire Pit Kit

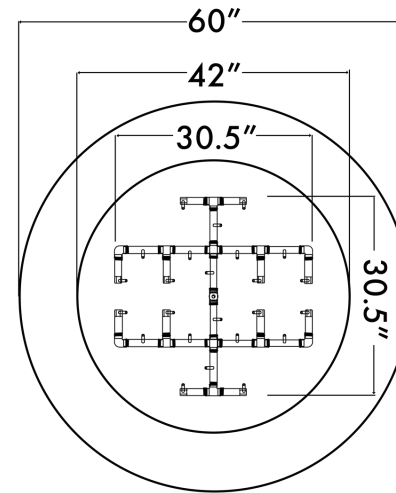
Ledge Size: 12"	Burner: Standard - CFB180 180K BTUs Upgrades: CFB240 240K BTUs OR CFB0280 280K BTUs	Weight: 160 lbs
------------------------	---	------------------------

Fuel Pressure: Natural Gas: 7" Water Column Propane: 11" Water Column	Material: Aluminum frame w/ optional GoBoard
---	---

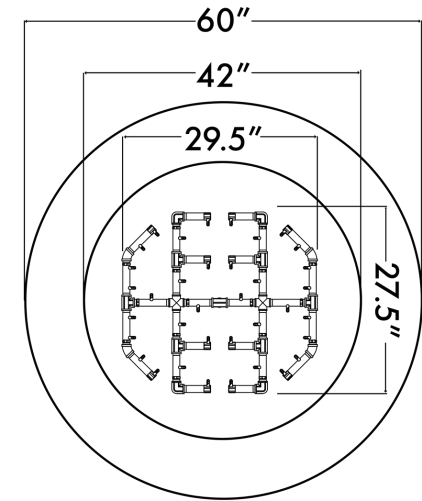
60" Diameter x 16" Height Ready to Finish Fire Pit Kit



Fuel Inlet Size: 3/4" I.D. Female



standard CFB300



with CFBO360

Includes:

- Warming Trends Crossfire Brass Burner (see options)
- 42" Round Aluminum Pan with 2" Sidewalls
- Fire Pit Vent Kit (2 silver vents to be installed on-site near bottom of feature)
- 3/4" Flex Line Kit
- 4" Key Valve Extension
- Key Valve Mounting Bracket

Optional Add-On: adjustable feet (up to 4 inches) 

(Feet can create sufficient ventilation that can replace the vents.)



CONFIDENTIAL
Any information data and drawings embodied in this document are proprietary and strictly confidential, are to be held as confidential and supplied with the understanding that they will not be disclosed, in whole or in part or in any form, to third parties without the prior written consent of Montana Fire Pits. All information, illustrations, screen shots, and data contained are herein Copyright © Montana Fire Pits. All rights reserved.

Model: 60" Diameter x 16" Height Ready to Finish Fire Pit Kit

Ledge Size: 9"

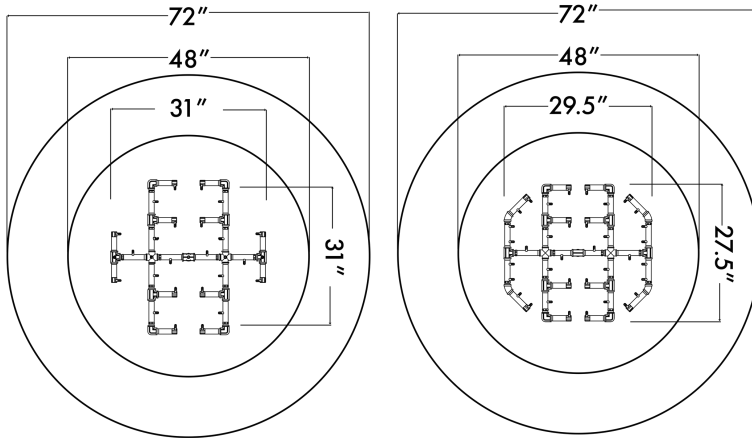
Burner: Standard - CFB300 300K BTUs
Upgrade: CFBO360 360K BTUs

Weight: 160 lbs

Fuel Pressure: Natural Gas: 7" Water Column
Propane: 11" Water Column

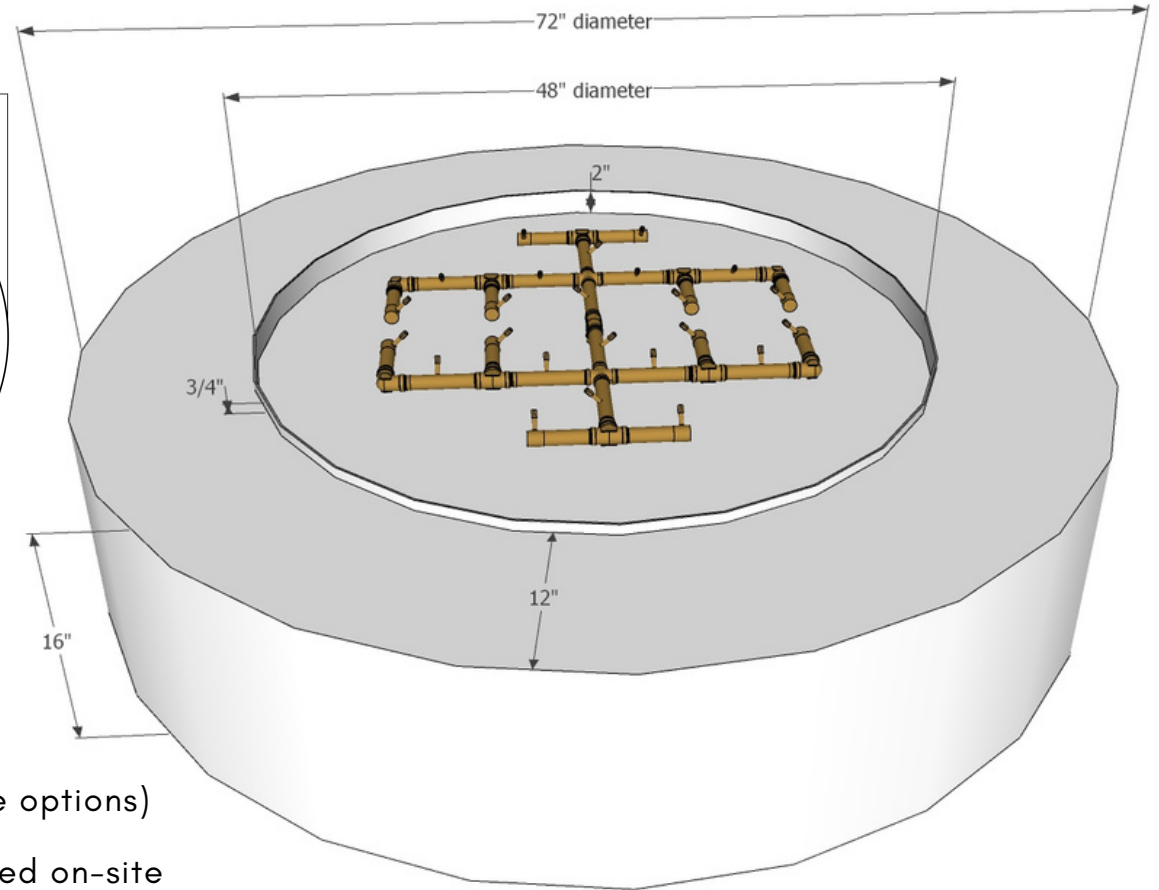
Material: Aluminum frame w/ optional GoBoard

72" Diameter x 16" Height Ready to Finish Fire Pit Kit



standard CFB350

with CFBO360



Includes:

- Warming Trends Crossfire Brass Burner (see options)
- 48" Round Aluminum Pan with 2" Sidewalls
- Fire Pit Vent Kit (2 silver vents to be installed on-site near bottom of feature)
- 3/4" Flex Line Kit
- 4" Key Valve Extension
- Key Valve Mounting Bracket

Fuel Inlet Size: 3/4" I.D. Female

Optional Add-On: adjustable feet (up to 4 inches)
(Feet can create sufficient ventilation that can replace the vents.)



CONFIDENTIAL

Any information data and drawings embodied in this document are proprietary and strictly confidential, are to be held as confidential and supplied with the understanding that they will not be disclosed, in whole or in part or in any form, to third parties without the prior written consent of Montana Fire Pits. All information, illustrations, screen shots, and data contained are herein Copyright © Montana Fire Pits. All rights reserved.

Model: 60" Diameter x 16" Height Ready to Finish Fire Pit Kit

Ledge Size: 9"

Burner: Standard - CFB350 350K BTUs
Upgrade: CFBO360 360K BTUs

Weight: 210 lbs

Fuel Pressure: Natural Gas: 7" Water Column
Propane: 11" Water Column

Material: Aluminum frame
w/ optional GoBoard