

Size: **48" x 32" x 16"**

The Venture Series



Model: **Teton Fire Table**

Includes:

- Fire Table made of American sourced 3/16" mild steel
- Warming Trends Crossfire Brass Burner (see options)
- 3/4" key valve and flex line kit for flame height adjustment (Installed by others).
- 4" chrome key and finishing plate
- Aluminum burner plate (mounted 4" below the finished top)
- 4" non-marring adjustable feet to create ventilation gap

Optional Extras:

- Matching 3/16" flat steel cover
- Mercury Battery Powered Ignition
- Propane regulator w/10 ft hose
- Platinum Electronic Ignition
- Casters

Fuel Inlet Size: 3/4" I.D. Female

Weight: 300 lbs.

Fuel Pressure: Natural Gas: 7" Water Column
Propane: 11" Water Column

Standard Burner: CFBL130 - 130K BTUs Linear
Upgrade: CFBT170 170K BTUs Tree-Style

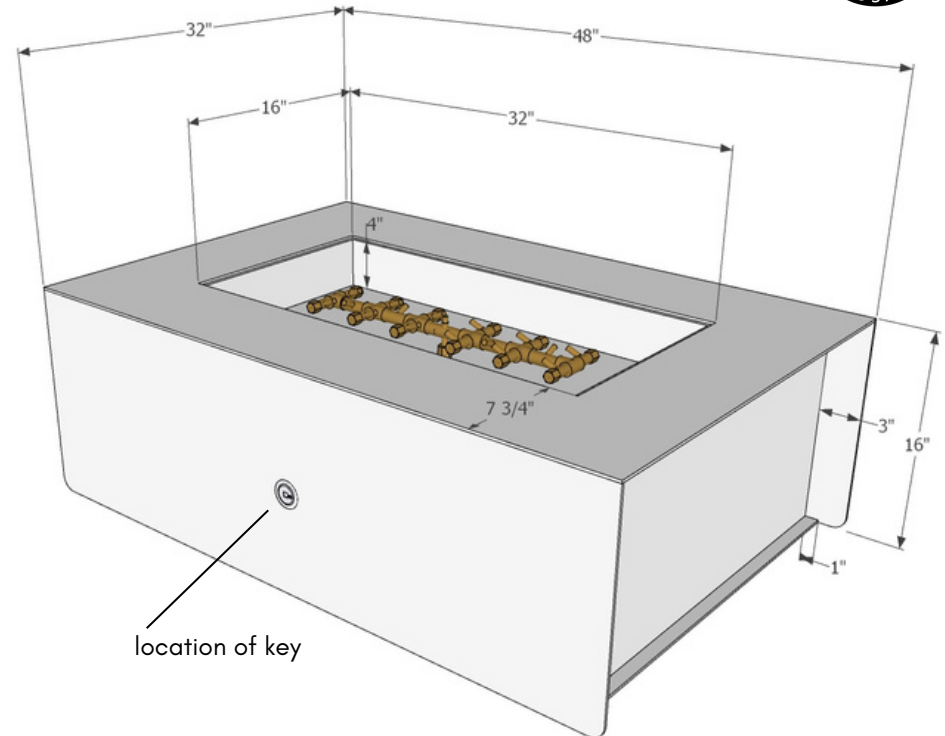
Material: 3/16" Mild Steel

Protective Finish: Powder Coating

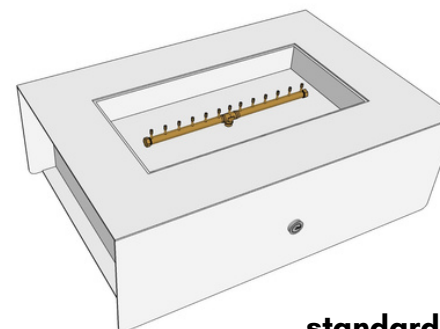


CONFIDENTIAL

Any information data and drawings embodied in this document are proprietary and strictly confidential, are to be held as confidential and supplied with the understanding that they will not be disclosed, in whole or in part or in any form, to third parties without the prior written consent of Montana Fire Pits. All information, illustrations, screen shots, and data contained are herein Copyright © Montana Fire Pits. All rights reserved.



shown with upgraded burner



standard linear burner

Size: **55" x 32" x 16"**

The Venture Series



Model: **Teton Fire Table**

Includes:

- Fire Table made of American sourced 3/16" mild steel
- Warming Trends Crossfire Brass Burner (see options)
- 3/4" key valve and flex line kit for flame height adjustment (Installed by others).
- 4" chrome key and finishing plate
- Aluminum burner plate (mounted 4" below the finished top)
- 4" non-marring adjustable feet to create ventilation gap

Optional Extras:

- Matching 3/16" flat steel cover
- Mercury Battery Powered Ignition
- Propane regulator w/10 ft hose
- Platinum Electronic Ignition
- Casters

Fuel Inlet Size: 3/4" I.D. Female

Weight: 345 lbs.

Fuel Pressure: Natural Gas: 7" Water Column
Propane: 11" Water Column

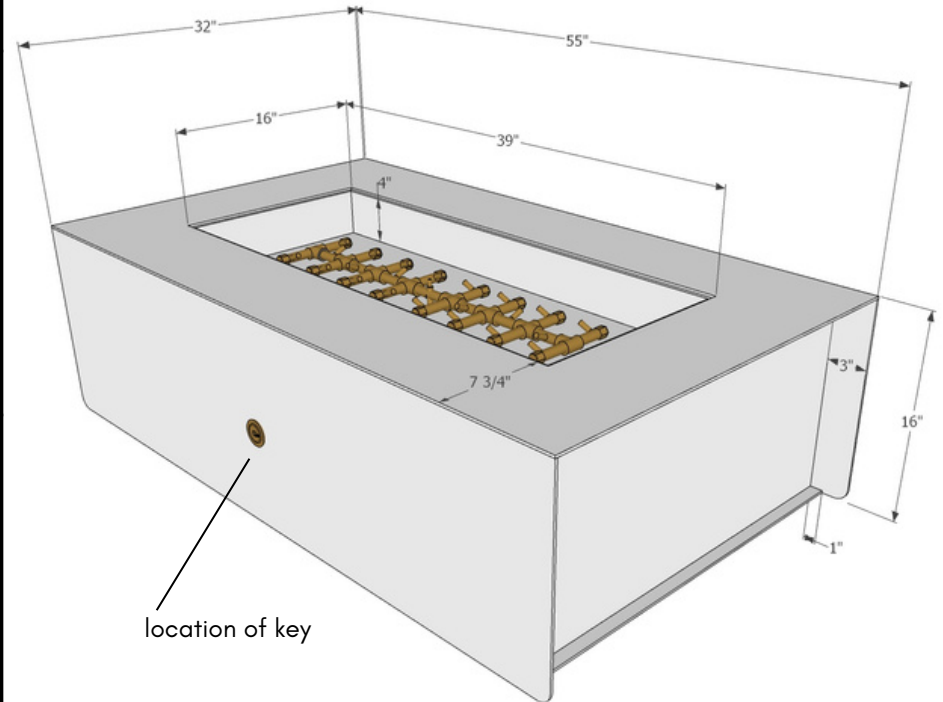
Standard Burner: CFBL150 - 150K BTUs Linear
Upgrade: CFBT230 230K BTUs Tree-Style

Material: 3/16" Mild Steel

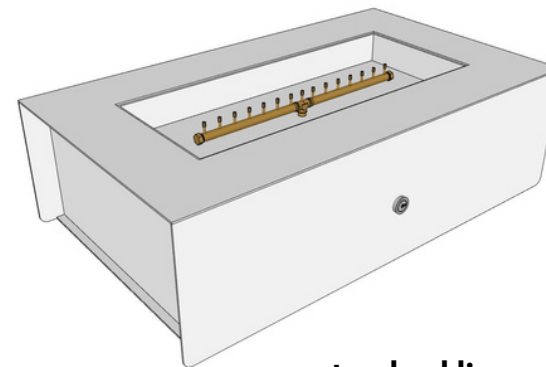
Protective Finish: Powder Coating



CONFIDENTIAL
Any information data and drawings embodied in this document are proprietary and strictly confidential, are to be held as confidential and supplied with the understanding that they will not be disclosed, in whole or in part or in any form, to third parties without the prior written consent of Montana Fire Pits. All information, illustrations, screen shots, and data contained are herein Copyright © Montana Fire Pits. All rights reserved.



shown with upgraded burner



standard linear burner

Size: **60" x 32" x 16"**

The Venture Series



Model: Teton Fire Table

Includes:

- Fire Table made of American sourced 3/16" mild steel
- Warming Trends Crossfire Brass Burner (see options)
- 3/4" key valve and flex line kit for flame height adjustment (Installed by others).
- 4" chrome key and finishing plate
- Aluminum burner plate (mounted 4" below the finished top)
- 4" non-marring adjustable feet to create ventilation gap

Optional Extras:

- Matching 3/16" flat steel cover
- Mercury Battery Powered Ignition
- Propane regulator w/10 ft hose
- Platinum Electronic Ignition
- Casters

Fuel Inlet Size: 3/4" I.D. Female

Weight: 400 lbs.

Fuel Pressure:

Natural Gas: 7" Water Column
Propane: 11" Water Column

Standard Burner: CFBL170 - 170K BTUs Linear

Upgrade: CFBT290 290K BTUs Tree-Style

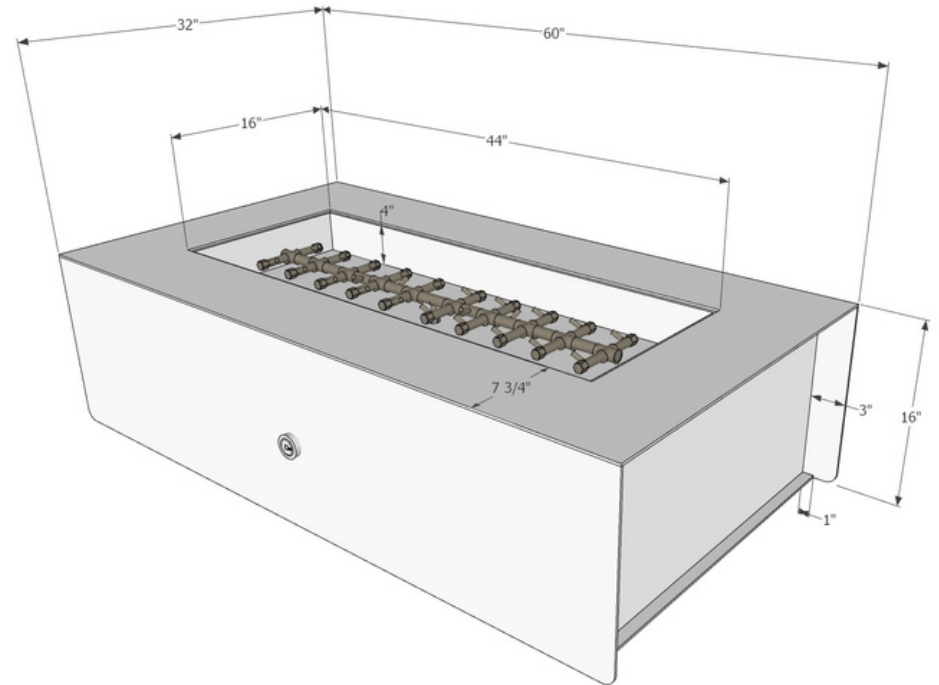
Material: 3/16" Mild Steel

Protective Finish: Powder Coating

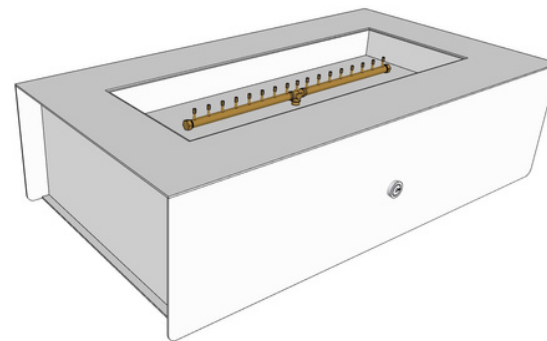


CONFIDENTIAL

Any information data and drawings embodied in this document are proprietary and strictly confidential, are to be held as confidential and supplied with the understanding that they will not be disclosed, in whole or in part or in any form, to third parties without the prior written consent of Montana Fire Pits. All information, illustrations, screen shots, and data contained are herein Copyright © Montana Fire Pits. All rights reserved.



shown with upgraded burner



standard linear burner

Size: **67" x 32" x 16"**

The Venture Series



Model: Teton Fire Table

Includes:

- Fire Table made of American sourced 3/16" mild steel
- Warming Trends Crossfire Brass Burner (see options)
- 3/4" key valve and flex line kit for flame height adjustment (Installed by others).
- 4" chrome key and finishing plate
- Aluminum burner plate (mounted 4" below the finished top)
- 4" non-marring adjustable feet to create ventilation gap

Optional Extras:

- Matching 3/16" flat steel cover
- Propane regulator w/10 ft hose
- Casters
- Platinum Electronic Ignition
- Mercury Battery Powered Ignition (on burners under 250K BTUs)

Fuel Inlet Size: 3/4" I.D. Female

Weight: 450 lbs.

Fuel Pressure:

Natural Gas: 7" Water Column
Propane: 11" Water Column

Standard Burner: CFBL210 - 210K BTUs Linear

Upgrade: CFBT290 290K BTUs Tree-Style

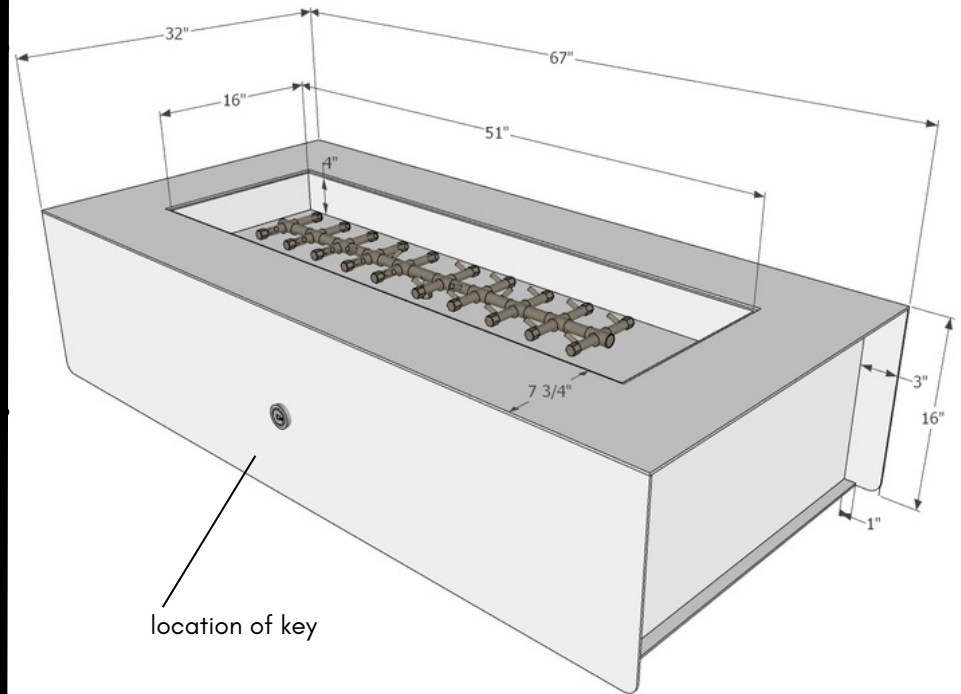
Material: 3/16" Mild Steel

Protective Finish: Powder Coating

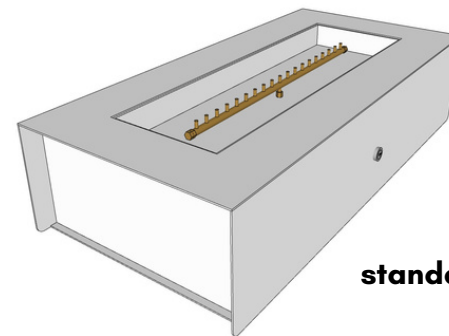


CONFIDENTIAL

Any information data and drawings embodied in this document are proprietary and strictly confidential, are to be held as confidential and supplied with the understanding that they will not be disclosed, in whole or in part or in any form, to third parties without the prior written consent of Montana Fire Pits. All information, illustrations, screen shots, and data contained are herein Copyright © Montana Fire Pits. All rights reserved.



shown with upgraded burner



standard linear burner

Size: **76" x 32" x 16"**

The Venture Series



Model: **Teton Fire Table**

Includes:

- Fire Table made of American sourced 3/16" mild steel
- Warming Trends Crossfire Brass Burner (see options)
- 3/4" key valve and flex line kit for flame height adjustment (Installed by others).
- 4" chrome key and finishing plate
- Aluminum burner plate (mounted 4" below the finished top)
- 4" non-marring adjustable feet to create ventilation gap

Optional Extras:

- Matching 3/16" flat steel cover
- Propane regulator w/10 ft hose
- Platinum Electronic Ignition
- Casters

Fuel Inlet Size: 3/4" I.D. Female

Weight: 500 lbs.

Fuel Pressure:

Natural Gas: 7" Water Column
Propane: 11" Water Column

Standard Burner: CFBL250 - 250K BTUs Linear

Upgrade: CFBT350 350K BTUs Tree-Style

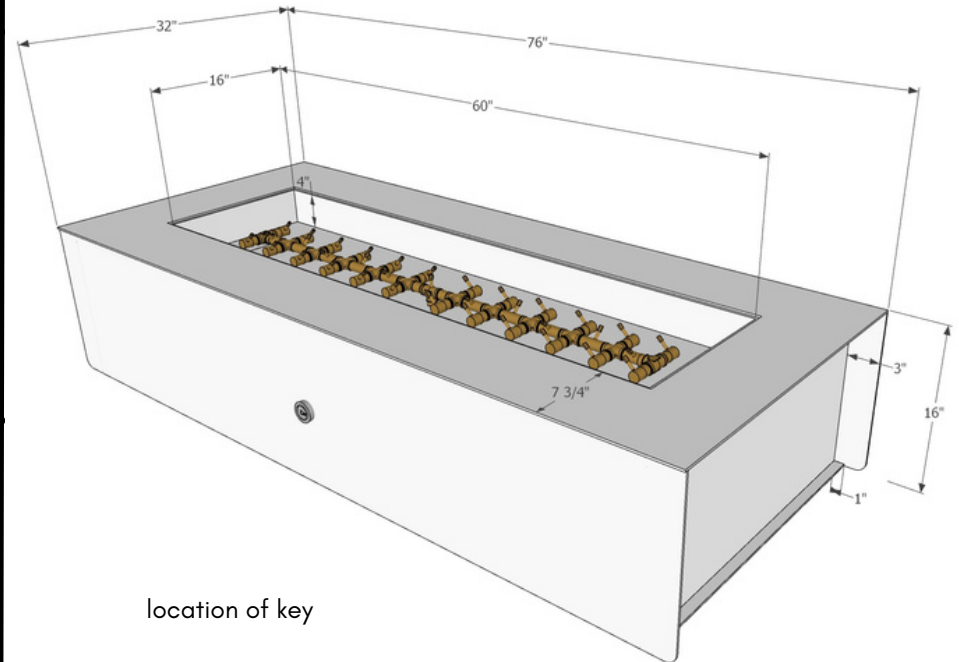
Material: 3/16" Mild Steel

Protective Finish: Powder Coating



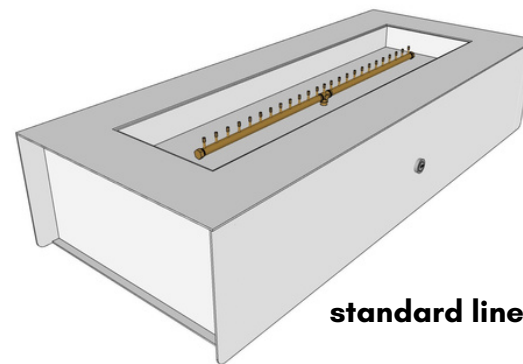
CONFIDENTIAL

Any information data and drawings embodied in this document are proprietary and strictly confidential, are to be held as confidential and supplied with the understanding that they will not be disclosed, in whole or in part or in any form, to third parties without the prior written consent of Montana Fire Pits. All information, illustrations, screen shots, and data contained are herein Copyright © Montana Fire Pits. All rights reserved.



location of key

shown with upgraded burner



standard linear burner

Size: **86" x 32" x 16"**

The Venture Series



Model: **Teton Fire Table**

Includes:

- Fire Table made of American sourced 3/16" mild steel
- Warming Trends Tree-Style Crossfire Brass Burner
- 3/4" key valve and flex line kit for flame height adjustment (Installed by others).
- 4" chrome key and finishing plate
- Aluminum burner plate (mounted 4" below the finished top)
- 4" non-marring adjustable feet to create ventilation gap

Optional Extras:

- Matching 3/16" flat steel cover
- Platinum Electronic Ignition
- Propane regulator w/10 ft hose
- Casters

Fuel Inlet Size: 3/4" I.D. Female

Weight: 575 lbs.

Fuel Pressure:

Natural Gas: 7" Water Column
Propane: 11" Water Column

Standard Burner: CFBT410 - 410K BTUs Tree-Style

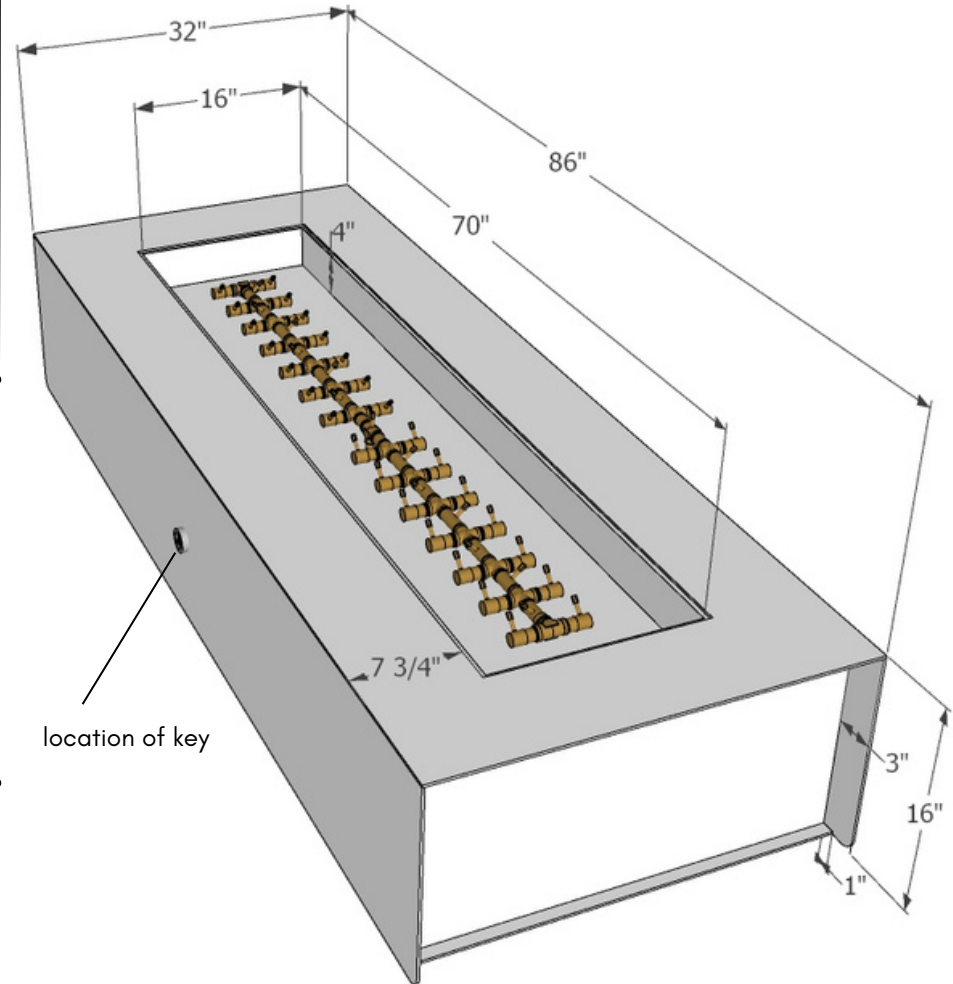
Material: 3/16" Mild Steel

Protective Finish: Powder Coating



CONFIDENTIAL

Any information data and drawings embodied in this document are proprietary and strictly confidential, are to be held as confidential and supplied with the understanding that they will not be disclosed, in whole or in part or in any form, to third parties without the prior written consent of Montana Fire Pits. All information, illustrations, screen shots, and data contained are herein Copyright © Montana Fire Pits. All rights reserved.



Size: **96" x 32" x 16"**

The Venture Series



Model: **Teton Fire Table**

Includes:

- Fire Table made of American sourced 3/16" mild steel
- Warming Trends Tree-Style Crossfire Brass Burner
- 3/4" key valve and flex line kit for flame height adjustment (Installed by others).
- 4" chrome key and finishing plate
- Aluminum burner plate (mounted 4" below the finished top)
- 4" non-marring adjustable feet to create ventilation gap

Optional Extras:

- Matching 3/16" flat steel cover
- Propane regulator w/10 ft hose
- Platinum Electronic Ignition
- Casters

Fuel Inlet Size: 3/4" I.D. Female

Weight: 625 lbs.

Fuel Pressure:

Natural Gas: 7" Water Column
Propane: 11" Water Column

Standard Burner: CFBT470 - 470K BTUs Tree-Style

Material: 3/16" Mild Steel

Protective Finish: Powder Coating



CONFIDENTIAL

Any information data and drawings embodied in this document are proprietary and strictly confidential, are to be held as confidential and supplied with the understanding that they will not be disclosed, in whole or in part or in any form, to third parties without the prior written consent of Montana Fire Pits. All information, illustrations, screen shots, and data contained are herein Copyright © Montana Fire Pits. All rights reserved.

