

Size: **44" x 22" x 16"**

The Venture Series



## Model: **Canyonlands Fire Table**

### Includes:

- Fire Table made of American sourced 3/16" mild steel
- Warming Trends Crossfire Brass Burner
- 3/4" key valve and flex line kit for flame height adjustment (Installed by others).
- 4" chrome key and finishing plate
- Aluminum burner plate (mounted 4" below the finished top)
- 4" non-marring adjustable feet to create ventilation gap

### Optional Extras:

- Rolled Lava Pebbles for burn area
- Matching 3/16" flat steel cover
- Thermally modified wood cover
- Casters
- Push Button Ignition
- Mercury Battery Powered Ignition
- Platinum Electronic Ignition
- Propane regulator w/10 ft hose

**Fuel Inlet Size:** 3/4" I.D. Female

**Weight:** Approx. 200 lbs.

**Fuel Pressure:**

Natural Gas: 7" Water Column  
Propane: 11" Water Column

**Burner:** CFBL150 - 150K BTUs Linear Crossfire Brass Burner

**Material:** 3/16" Mild Steel

**Protective Finish:** Powder Coating

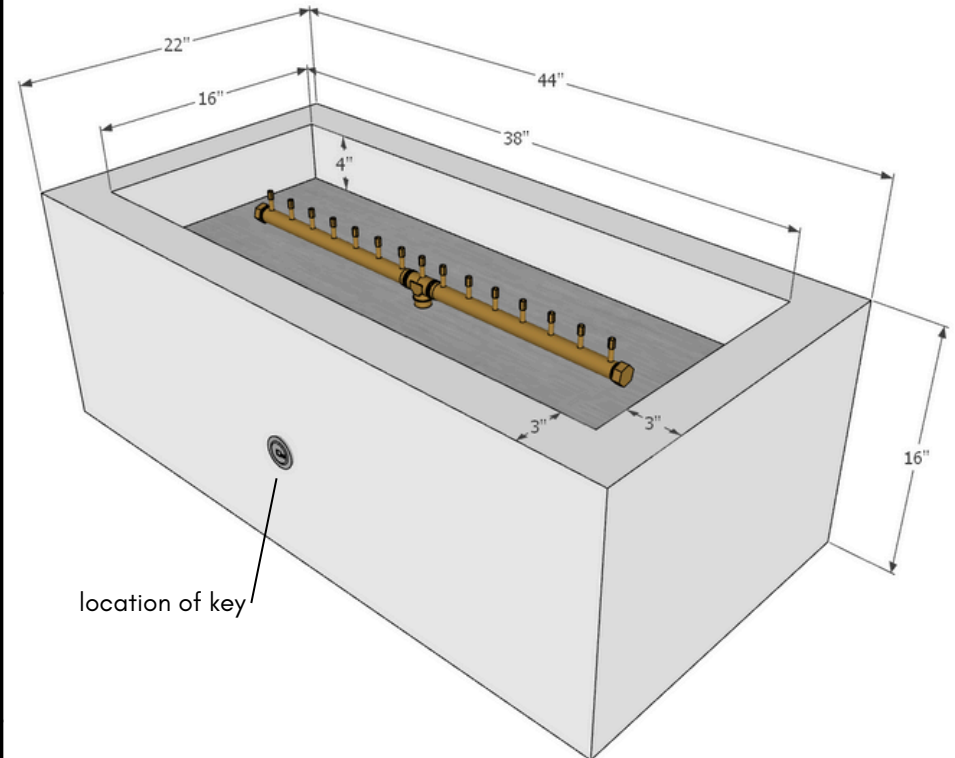


**MONTANA  
FIRE PITS**

www.montanafirepits.com

### CONFIDENTIAL

Any information data and drawings embodied in this document are proprietary and strictly confidential, are to be held as confidential and supplied with the understanding that they will not be disclosed, in whole or in part or in any form, to third parties without the prior written consent of Montana Fire Pits. All information, illustrations, screen shots, and data contained are herein Copyright © Montana Fire Pits. All rights reserved.



Size: **48" x 22" x 16"**

The Venture Series



## Model: **Canyonlands Fire Table**

### Includes:

- Fire Table made of American sourced 3/16" mild steel
- Warming Trends Crossfire Brass Burner
- 3/4" key valve and flex line kit for flame height adjustment (Installed by others).
- 4" chrome key and finishing plate
- Aluminum burner plate (mounted 4" below the finished top)
- 4" non-marring adjustable feet to create ventilation gap

### Optional Extras:

- Rolled Lava Pebbles for burn area
- Matching 3/16" flat steel cover
- Thermally modified wood cover
- Casters
- Push Button Ignition
- Mercury Battery Powered Ignition
- Platinum Electronic Ignition
- Propane regulator w/10 ft hose

**Fuel Inlet Size:** 3/4" I.D. Female

**Weight:** Approx. 250 lbs.

**Fuel Pressure:**

Natural Gas: 7" Water Column  
Propane: 11" Water Column

**Burner:** CFBL170 - 170K BTUs Linear Crossfire Brass Burner

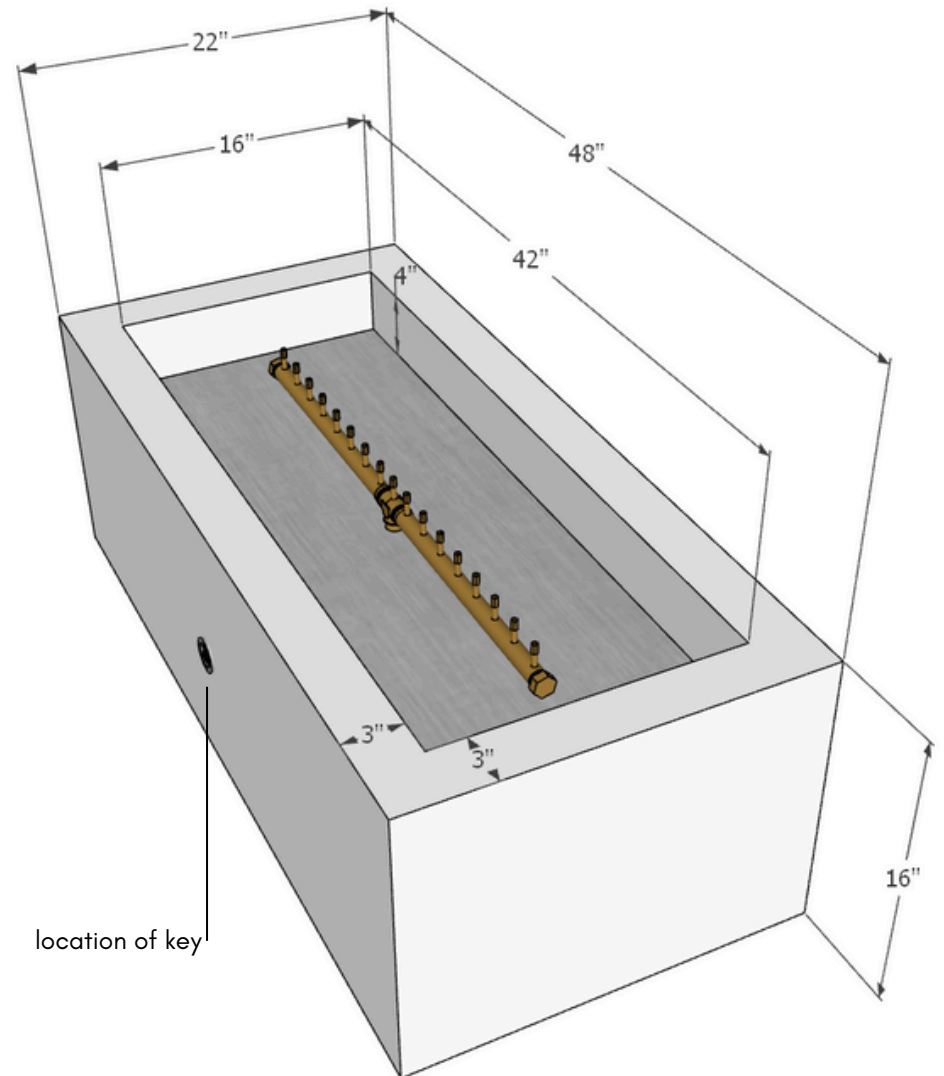
**Material:** 3/16" Mild Steel

**Protective Finish:** Powder Coating



#### CONFIDENTIAL

Any information data and drawings embodied in this document are proprietary and strictly confidential, are to be held as confidential and supplied with the understanding that they will not be disclosed, in whole or in part or in any form, to third parties without the prior written consent of Montana Fire Pits. All information, illustrations, screen shots, and data contained are herein Copyright © Montana Fire Pits. All rights reserved.



Size: **56" x 22" x 16"**

The Venture Series



## Model: **Canyonlands Fire Table**

### Includes:

- Fire Table made of American sourced 3/16" mild steel
- Warming Trends Crossfire Brass Burner
- 3/4" key valve and flex line kit for flame height adjustment (Installed by others).
- 4" chrome key and finishing plate
- Aluminum burner plate (mounted 4" below the finished top)
- 4" non-marring adjustable feet to create ventilation gap

### Optional Extras:

- Rolled Lava Pebbles for burn area
- Matching 3/16" flat steel cover
- Thermally modified wood cover
- Casters
- Push Button Ignition
- Mercury Battery Powered Ignition
- Platinum Electronic Ignition
- Propane regulator w/10 ft hose

**Fuel Inlet Size:** 3/4" I.D. Female

**Weight:** Approx. 300 lbs.

**Fuel Pressure:**

Natural Gas: 7" Water Column  
Propane: 11" Water Column

**Burner:** CFBL210 - 210K BTUs Linear Crossfire Brass Burner

**Material:** 3/16" Mild Steel

**Protective Finish:** Powder Coating

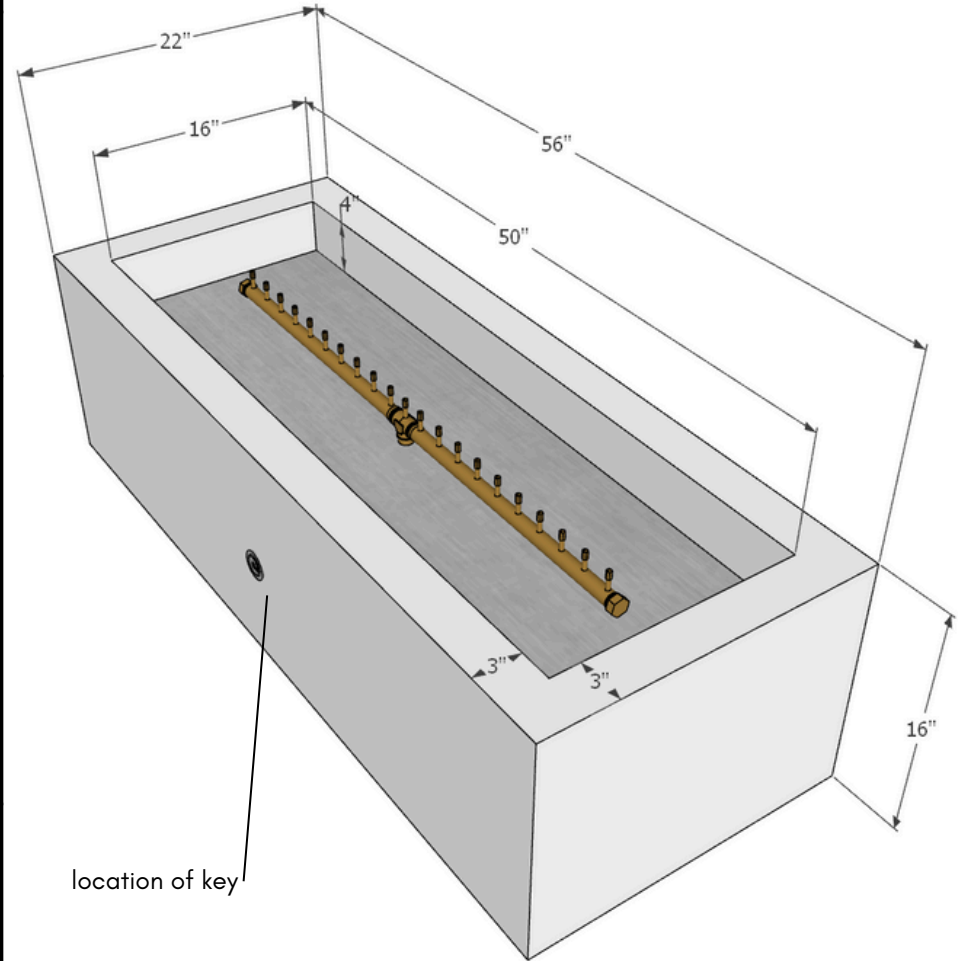


**MONTANA  
FIRE PITS**

www.montanafirepits.com

#### CONFIDENTIAL

Any information data and drawings embodied in this document are proprietary and strictly confidential, are to be held as confidential and supplied with the understanding that they will not be disclosed, in whole or in part or in any form, to third parties without the prior written consent of Montana Fire Pits. All information, illustrations, screen shots, and data contained are herein Copyright © Montana Fire Pits. All rights reserved.



location of key

Size: **72" x 22" x 16"**

The Venture Series



## Model: **Canyonlands Fire Table**

### Includes:

- Fire Table made of American sourced 3/16" mild steel
- Warming Trends Crossfire Brass Burner
- 3/4" key valve and flex line kit for flame height adjustment (Installed by others).
- 4" chrome key and finishing plate
- Aluminum burner plate (mounted 4" below the finished top)
- 4" non-marring adjustable feet to create ventilation gap

### Optional Extras:

- Rolled Lava Pebbles for burn area
- Matching 3/16" flat steel cover
- Thermally modified wood cover
- Push Button Ignition
- Platinum Electronic Ignition
- Casters

**Fuel Inlet Size:** 3/4" I.D. Female

**Weight:** Approx. 350 lbs.

**Fuel Pressure:**

Natural Gas: 7" Water Column  
Propane: 11" Water Column

**Burner:** CFBL270 - 270K BTUs Linear Crossfire Brass Burner

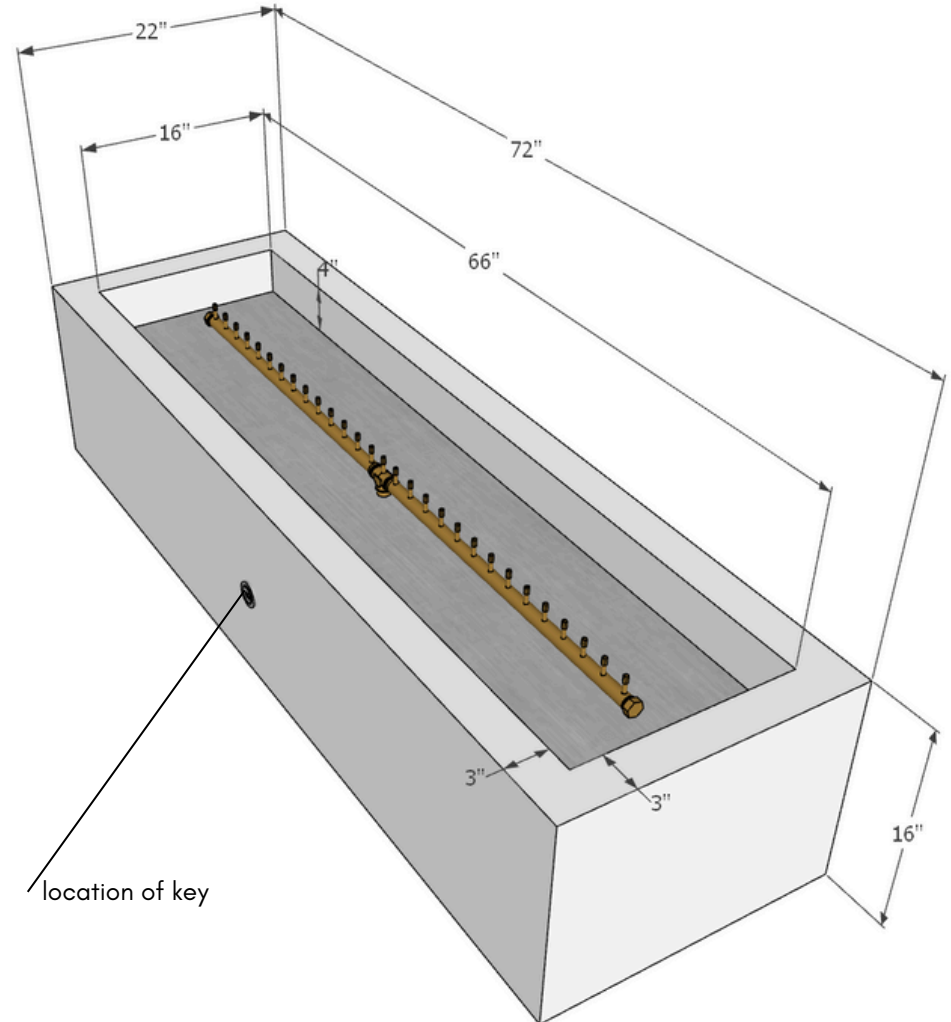
**Material:** 3/16" Mild Steel

**Protective Finish:** Powder Coating



#### CONFIDENTIAL

Any information data and drawings embodied in this document are proprietary and strictly confidential, are to be held as confidential and supplied with the understanding that they will not be disclosed, in whole or in part or in any form, to third parties without the prior written consent of Montana Fire Pits. All information, illustrations, screen shots, and data contained are herein Copyright © Montana Fire Pits. All rights reserved.



Size: **84" x 22" x 16"**

The Venture Series



## Model: Canyonlands Fire Table

### Includes:

- Fire Table made of American sourced 3/16" mild steel
- Warming Trends Crossfire Brass Burner
- 3/4" key valve and flex line kit for flame height adjustment (Installed by others).
- 4" chrome key and finishing plate
- Aluminum burner plate (mounted 4" below the finished top)
- 4" non-marring adjustable feet to create ventilation gap

### Optional Extras:

- Rolled Lava Pebbles for burn area
- Matching 3/16" flat steel cover
- Thermally modified wood cover
- Push Button Ignition
- Platinum Electronic Ignition
- Casters

**Fuel Inlet Size:** 3/4" I.D. Female

**Weight:** Approx. 375 lbs.

**Fuel Pressure:**

Natural Gas: 7" Water Column  
Propane: 11" Water Column

**Burner:** ZL70 - 350K BTUs Linear Crossfire Brass Burner

**Material:** 3/16" Mild Steel

**Protective Finish:** Powder Coating

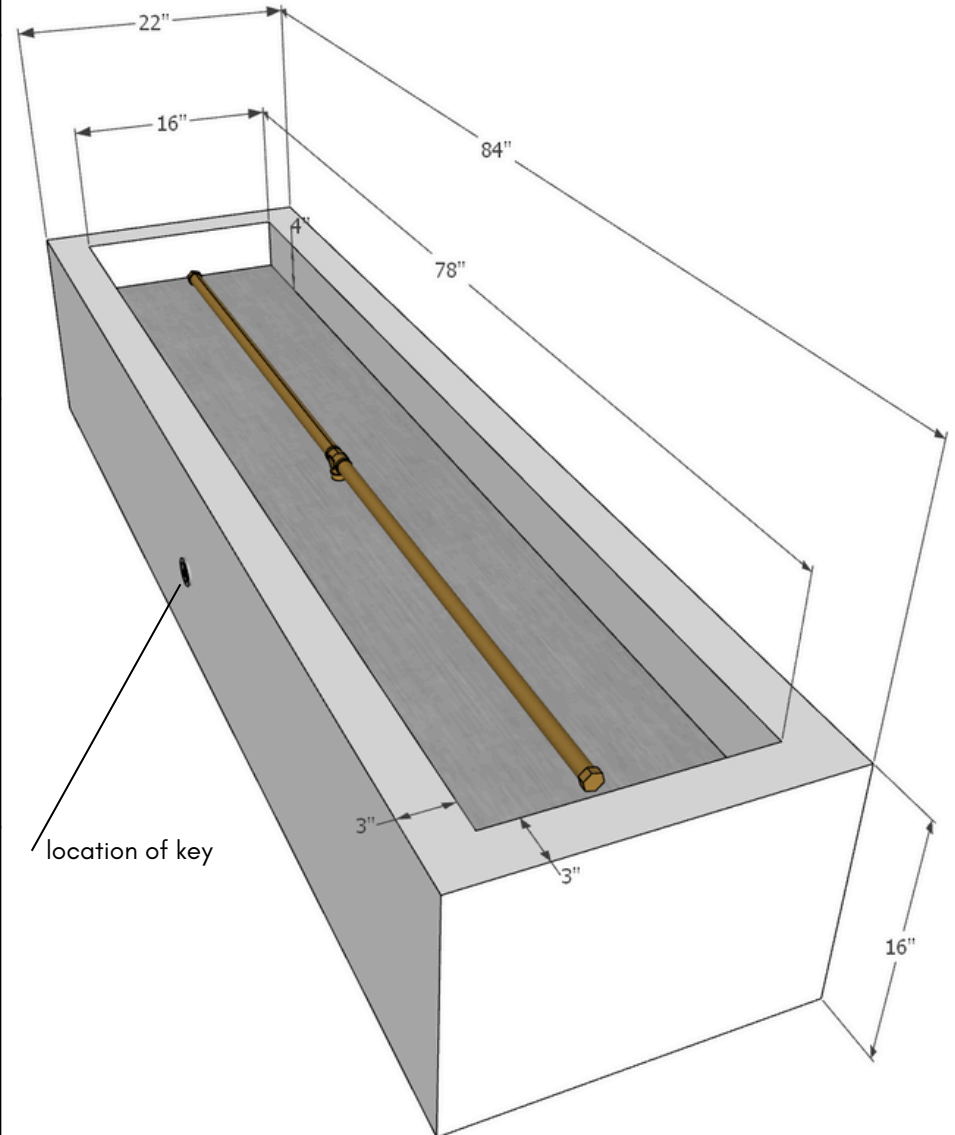


**MONTANA  
FIRE PITS**

www.montanafirepits.com

### CONFIDENTIAL

Any information data and drawings embodied in this document are proprietary and strictly confidential, are to be held as confidential and supplied with the understanding that they will not be disclosed, in whole or in part or in any form, to third parties without the prior written consent of Montana Fire Pits. All information, illustrations, screen shots, and data contained are herein Copyright © Montana Fire Pits. All rights reserved.



Size: **96" x 22" x 16"**

The Venture Series



## Model: Canyonlands Fire Table

### Includes:

- Fire Table made of American sourced 3/16" mild steel
- Warming Trends Crossfire Brass Burner
- 3/4" key valve and flex line kit for flame height adjustment (Installed by others).
- 4" chrome key and finishing plate
- Aluminum burner plate (mounted 4" below the finished top)
- 4" non-marring adjustable feet to create ventilation gap

### Optional Extras:

- Rolled Lava Pebbles for burn area
- Matching 3/16" flat steel cover
- Thermally modified wood cover
- Push Button Ignition
- Platinum Electronic Ignition
- Casters

**Fuel Inlet Size:** 3/4" I.D. Female

**Weight:** Approx. 400 lbs.

**Fuel Pressure:**

Natural Gas: 7" Water Column  
Propane: 11" Water Column

**Burner:** ZL78 - 390K BTUs Linear Crossfire Brass Burner

**Material:** 3/16" Mild Steel

**Protective Finish:** Powder Coating

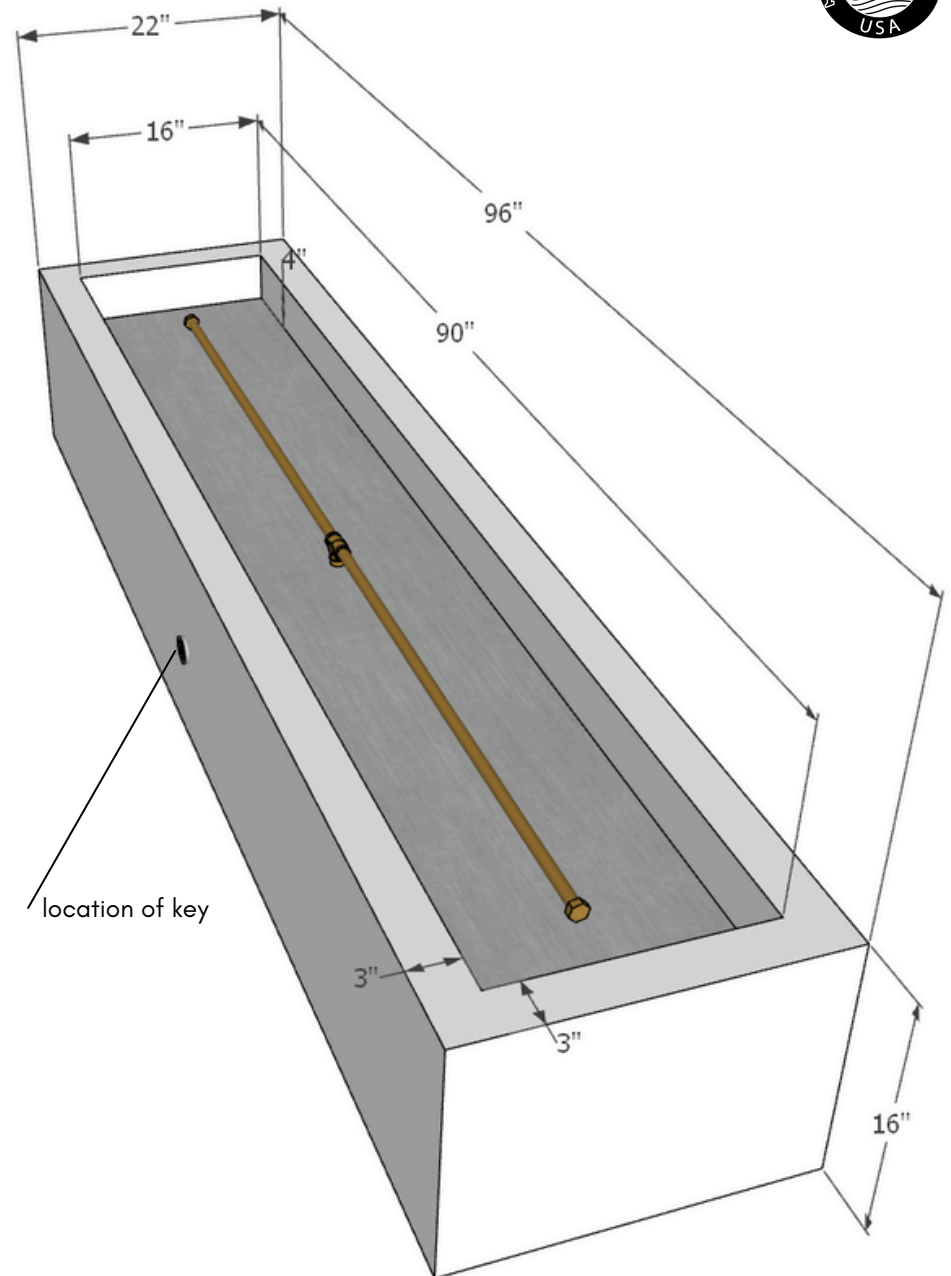


**MONTANA  
FIRE PITS**

www.montanafirepits.com

#### CONFIDENTIAL

Any information data and drawings embodied in this document are proprietary and strictly confidential, are to be held as confidential and supplied with the understanding that they will not be disclosed, in whole or in part or in any form, to third parties without the prior written consent of Montana Fire Pits. All information, illustrations, screen shots, and data contained are herein Copyright © Montana Fire Pits. All rights reserved.



Size: **108" x 22" x 16"**

The Venture Series



## Model: **Canyonlands Fire Table**

### Includes:

- Fire Table made of American sourced 3/16" mild steel
- Warming Trends Crossfire Brass Burner
- 3/4" key valve and flex line kit for flame height adjustment (Installed by others).
- 4" chrome key and finishing plate
- Aluminum burner plate (mounted 4" below the finished top)
- 4" non-marring adjustable feet to create ventilation gap

### Optional Extras:

- Rolled Lava Pebbles for burn area
- Matching 3/16" flat steel cover
- Thermally modified wood cover
- Push Button Ignition
- Platinum Electronic Ignition
- Casters

**Fuel Inlet Size:** 3/4" I.D. Female

**Weight:** Approx. 450 lbs.

**Fuel Pressure:**

Natural Gas: 7" Water Column  
Propane: 11" Water Column

**Burner:** ZL90 - 450K BTUs Linear Crossfire Brass Burner

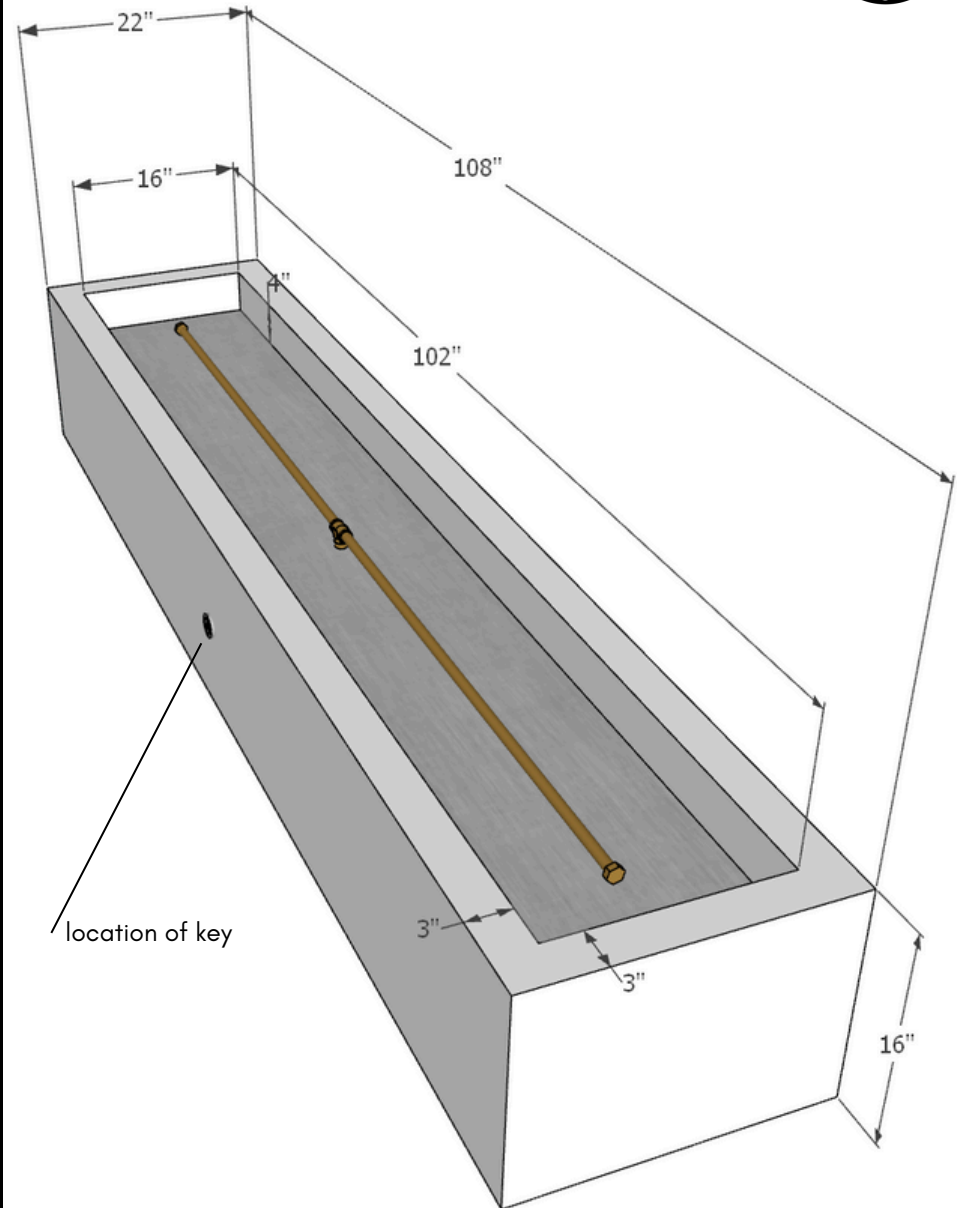
**Material:** 3/16" Mild Steel

**Protective Finish:** Powder Coating



#### CONFIDENTIAL

Any information data and drawings embodied in this document are proprietary and strictly confidential, are to be held as confidential and supplied with the understanding that they will not be disclosed, in whole or in part or in any form, to third parties without the prior written consent of Montana Fire Pits. All information, illustrations, screen shots, and data contained are herein Copyright © Montana Fire Pits. All rights reserved.



Size: **120" x 22" x 16"**

The Venture Series



## Model: **Canyonlands Fire Table**

### Includes:

- Fire Table made of American sourced 3/16" mild steel
- Warming Trends Crossfire Brass Burner
- 3/4" key valve and flex line kit for flame height adjustment (Installed by others).
- 4" chrome key and finishing plate
- Aluminum burner plate (mounted 4" below the finished top)
- 4" non-marring adjustable feet to create ventilation gap

### Optional Extras:

- Rolled Lava Pebbles for burn area
- Matching 3/16" flat steel cover
- Thermally modified wood cover
- Push Button Ignition
- Platinum Electronic Ignition
- Casters

**Fuel Inlet Size:** 3/4" I.D. Female

**Weight:** Approx. 500 lbs.

**Fuel Pressure:**

Natural Gas: 7" Water Column

Propane: 11" Water Column

**Burner:** ZL102 - 510K BTUs Linear Crossfire Brass Burner

**Material:** 3/16" Mild Steel

**Protective Finish:** Powder Coating



#### CONFIDENTIAL

Any information data and drawings embodied in this document are proprietary and strictly confidential, are to be held as confidential and supplied with the understanding that they will not be disclosed, in whole or in part or in any form, to third parties without the prior written consent of Montana Fire Pits. All information, illustrations, screen shots, and data contained are herein Copyright © Montana Fire Pits. All rights reserved.

