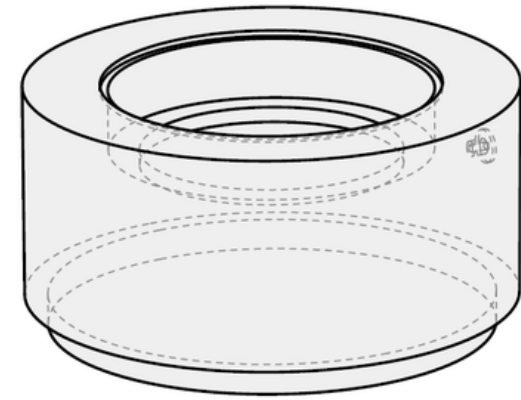
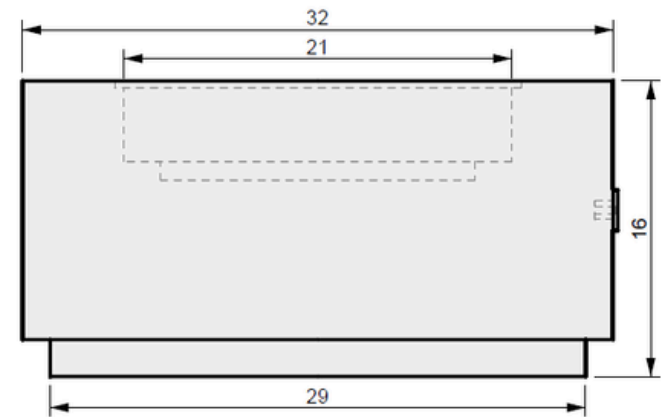


01 TOP VIEW



04 PERSPECTIVE



02 FRONT VIEW



MONTANA  
FIRE PITS

www.montanafirepits.com

**CONFIDENTIAL**

Any information data and drawings embodied in this document are proprietary and strictly confidential, are to be held as confidential and supplied with the understanding that they will not be disclosed, in whole or in part or in any form, to third parties without the prior written consent of Montana Fire Pits. All information, illustrations, screen shots, and data contained are herein Copyright © Montana Fire Pits. All rights reserved.

**Model:** Oblica Fire Table

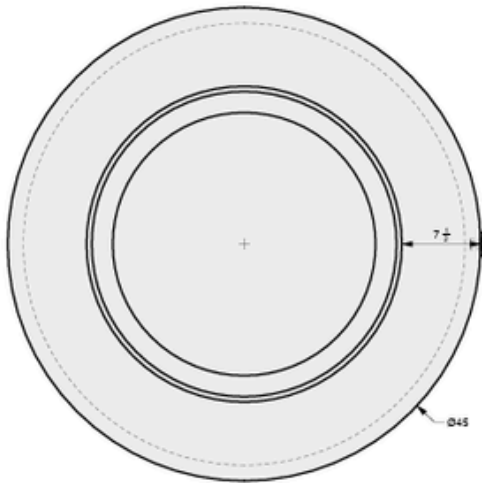
**Size:** 32" DIA x 16" H

**Material:** GFRC

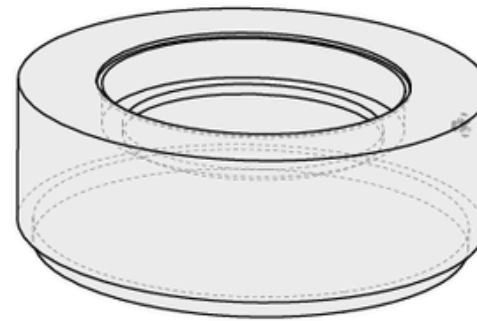
**Burner:** U140 - 140K BTU Crossfire Burner

**Fuel Pressure:** Natural Gas: 7" Water Column  
Propane: 11" Water Column

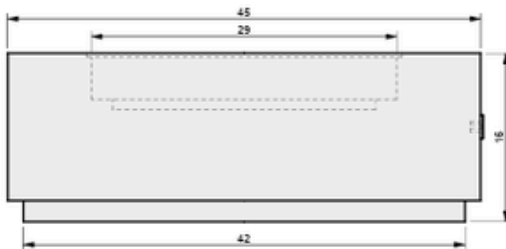
**Weight:** 250 lbs.



01 TOP VIEW



04 PERSPECTIVE



02 FRONT VIEW



03 SIDE VIEW



MONTANA  
FIRE PITS

www.montanafirepits.com

**CONFIDENTIAL**

Any information data and drawings embodied in this document are proprietary and strictly confidential, are to be held as confidential and supplied with the understanding that they will not be disclosed, in whole or in part or in any form, to third parties without the prior written consent of Montana Fire Pits. All information, illustrations, screen shots, and data contained are herein Copyright © Montana Fire Pits. All rights reserved.

**Model:** Oblica Fire Table

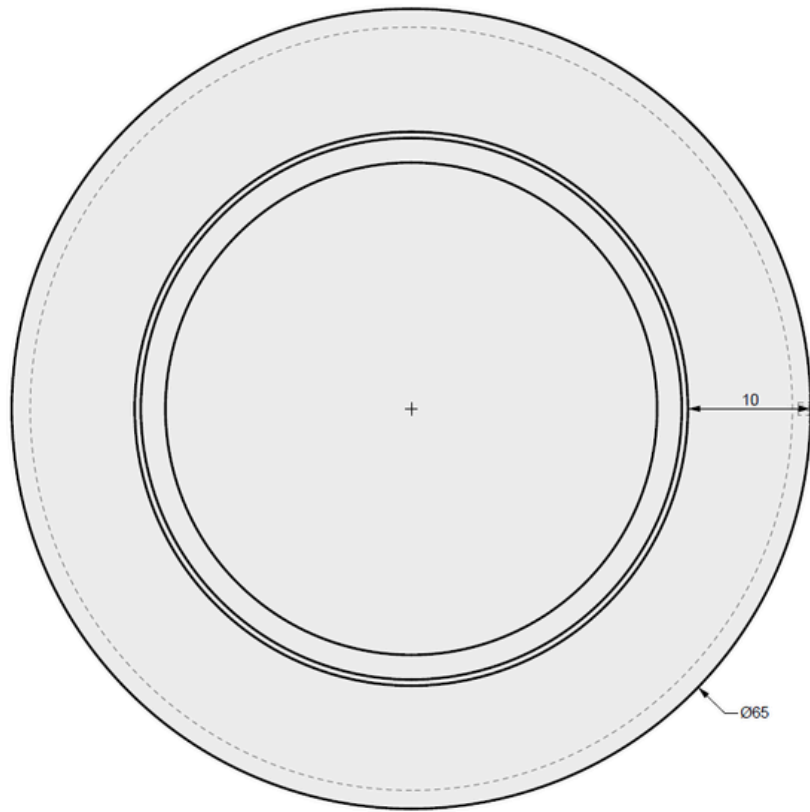
**Size:** 45" DIA x 16" H

**Material:** GFRC

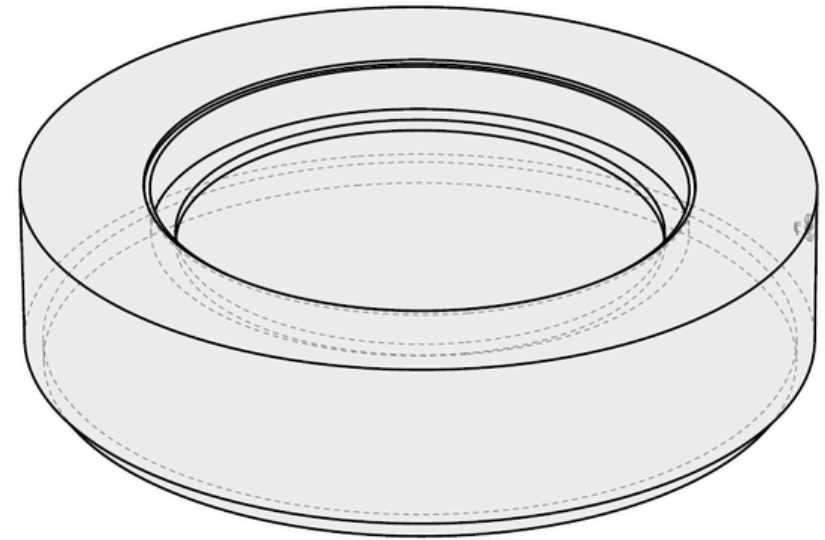
**Burner:** U140 - 140K BTU Universal Brass Burner

**Fuel Pressure:** Natural Gas: 7" Water Column  
Propane: 11" Water Column

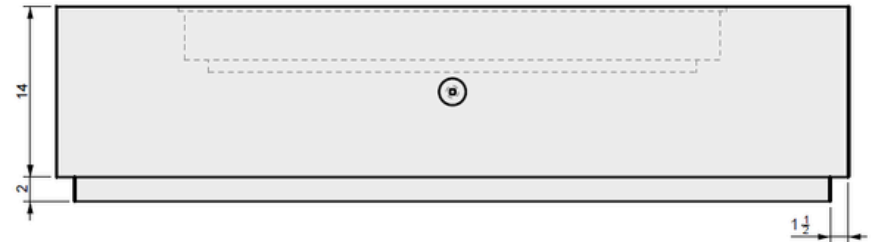
**Weight:** 300 lbs.



01 TOP VIEW



04 PERSPECTIVE



03 SIDE VIEW



www.montanafirepits.com

**CONFIDENTIAL**

Any information data and drawings embodied in this document are proprietary and strictly confidential, are to be held as confidential and supplied with the understanding that they will not be disclosed, in whole or in part or in any form, to third parties without the prior written consent of Montana Fire Pits. All information, illustrations, screen shots, and data contained are herein Copyright © Montana Fire Pits. All rights reserved.

**Model:** Oblica Fire Table

**Size:** 65" DIA x 16" H

**Material:** GFRC

**Burner:** U360 - 360K BTU Crossfire Burner

**Fuel Pressure:** Natural Gas: 7" Water Column  
Propane: 11" Water Column

**Weight:** 420 lbs.