

Size: **36" DIA x 15"**

The Venture Series



Model: **Yellowstone Edge Fire Table**

**Includes:**

- Fire Table made of American sourced 3/16" mild steel or 3/16" aluminum
- Warming Trends Crossfire Brass Burner
- 3/4" key valve and flex line kit for flame height adjustment (Installed by others).
- 4" chrome key and finishing plate
- Aluminum burner plate (mounted 4" below the finished top)
- 4" non-marring adjustable feet to create ventilation gap
- Matching 3/16" flat steel cover
- Rolled Lava Pebbles for burn area

**Optional Extras:**

- 3/16" Aluminum flat cover: 19 lbs.
- Thermally modified wood cover
- Casters
- Push Button Ignition
- Platinum Electronic Ignition
- Propane regulator w/10 ft hose

**Fuel Inlet Size:** 3/4" I.D. Female

**Weight:** approx. **S:** 161 lbs.  
**A:** 56 lbs.

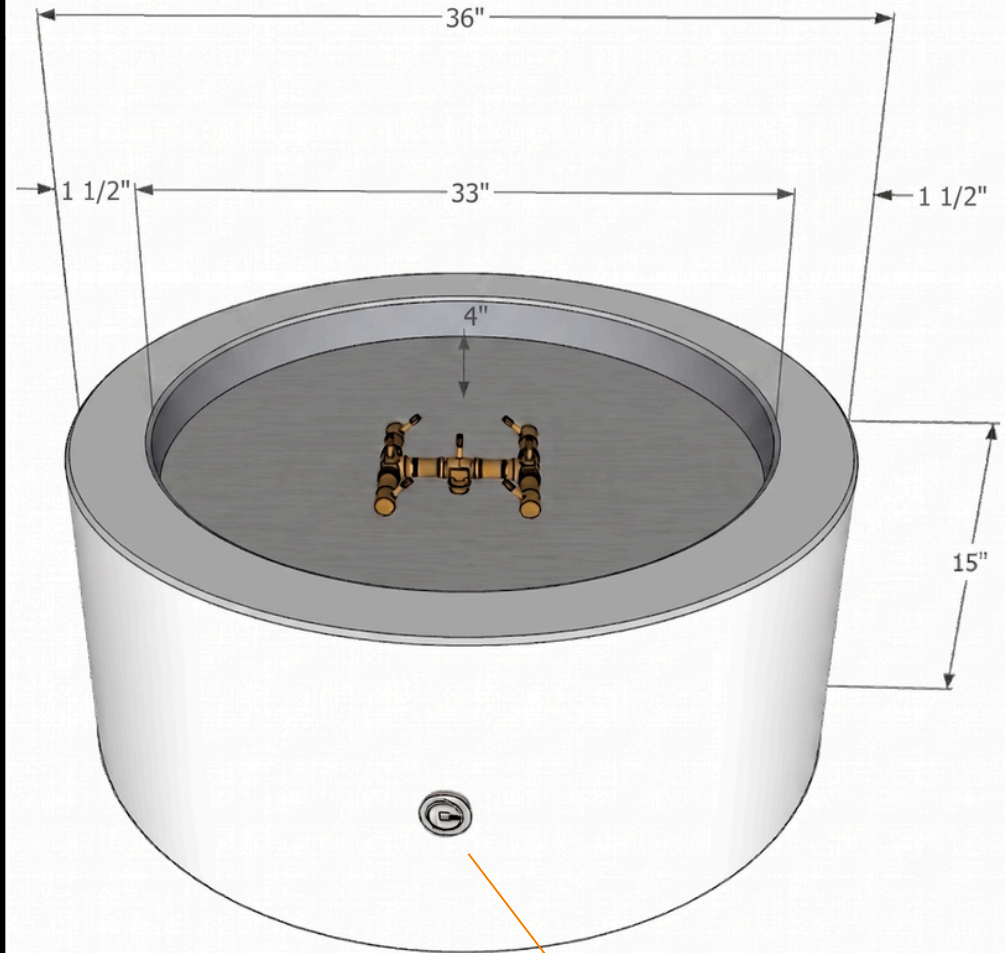
**Fuel Pressure:**

Natural Gas: 7" Water Column  
Propane: 11" Water Column

**Burner:** U140 - 140K BTUs Brass Burner

**Material:** 3/16" Mild Steel  
or 3/16" Aluminum

**Protective Finish:** Powder Coating



www.montanafirepits.com

**CONFIDENTIAL**

Any information data and drawings embodied in this document are proprietary and strictly confidential, are to be held as confidential and supplied with the understanding that they will not be disclosed, in whole or in part or in any form, to third parties without the prior written consent of Montana Fire Pits. All information, illustrations, screen shots, and data contained are herein Copyright © Montana Fire Pits. All rights reserved.

Size: **42" DIA x 15"**

The Venture Series



## Model: **Yellowstone Edge Fire Table**

### Includes:

- Fire Table made of American sourced 3/16" mild steel or 3/16" aluminum
- Warming Trends Crossfire Brass Burner
- 3/4" key valve and flex line kit for flame height adjustment (Installed by others).
- 4" chrome key and finishing plate
- Aluminum burner plate (mounted 4" below the finished top)
- 4" non-marring adjustable feet to create ventilation gap
- Matching 3/16" flat steel cover,
- Rolled Lava Pebbles for burn area

### Optional Extras:

- 3/16" Aluminum flat cover: 25 lbs.
- Thermally modified wood cover
- Casters
- Push Button Ignition
- Platinum Electronic Ignition
- Propane regulator w/10 ft hose

**Fuel Inlet Size:** 3/4" I.D. Female

**Weight:** approx. **S:** 220 lbs.  
**A:** 76 lbs.

**Fuel Pressure:**

Natural Gas: 7" Water Column  
Propane: 11" Water Column

**Burner:** U180 - 180K BTU Brass Burner

**Material:** 3/16" Mild Steel  
or 3/16" Aluminum

**Protective Finish:** Powder Coating

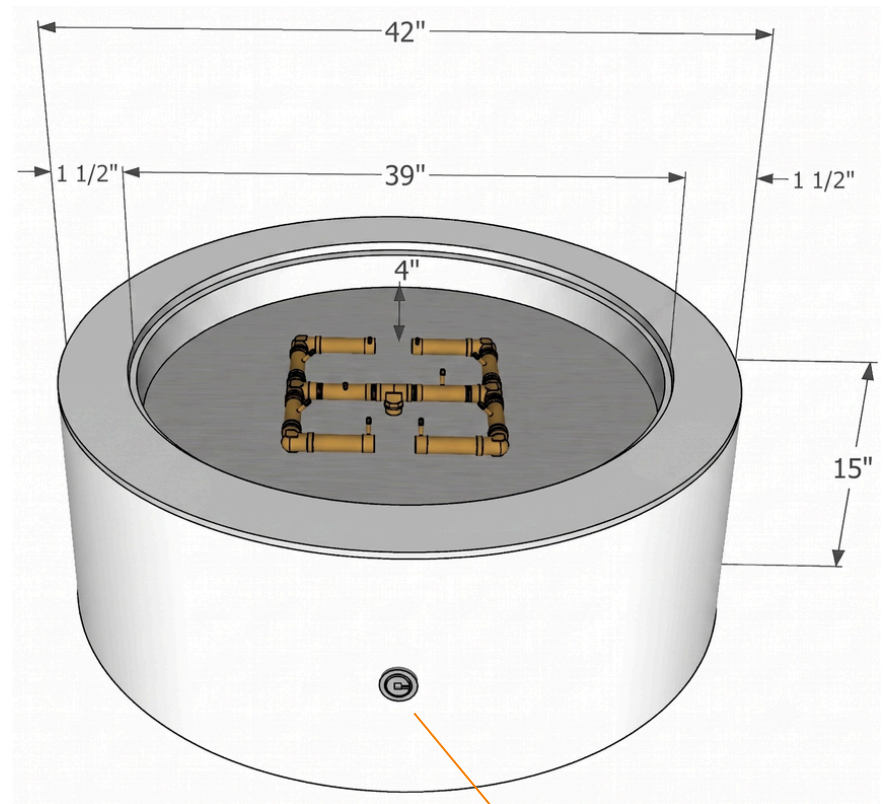


**MONTANA**  
FIRE PITS

[www.montanafirepits.com](http://www.montanafirepits.com)

#### CONFIDENTIAL

Any information data and drawings embodied in this document are proprietary and strictly confidential, are to be held as confidential and supplied with the understanding that they will not be disclosed, in whole or in part or in any form, to third parties without the prior written consent of Montana Fire Pits. All information, illustrations, screen shots, and data contained are herein Copyright © Montana Fire Pits. All rights reserved.



location of key

Size: **48" DIA x 15"**

The Venture Series



## Model: **Yellowstone Edge Fire Table**

### Includes:

- Fire Table made of American sourced 3/16" mild steel or 3/16" aluminum
- Warming Trends Crossfire Brass Burner
- 3/4" key valve and flex line kit for flame height adjustment (Installed by others).
- 4" chrome key and finishing plate
- Aluminum burner plate (mounted 4" below the finished top)
- 4" non-marring adjustable feet to create ventilation gap
- Matching 3/16" flat cover
- Rolled Lava Pebbles for burn area

### Optional Extras:

- 3/16" Aluminum flat cover: 33 lbs.
- Thermally modified wood cover
- Casters
- Push Button Ignition
- Platinum Electronic Ignition
- Propane regulator w/10 ft hose

**Fuel Inlet Size:** 3/4" I.D. Female

**Weight:** approx. **S:** 249 lbs.  
**A:** 87 lbs.

**Fuel Pressure:** Natural Gas: 7" Water Column  
Propane: 11" Water Column

**Standard Burner:** U300 - 300K BTUs

**Material:** 3/16" Mild Steel  
or Aluminum

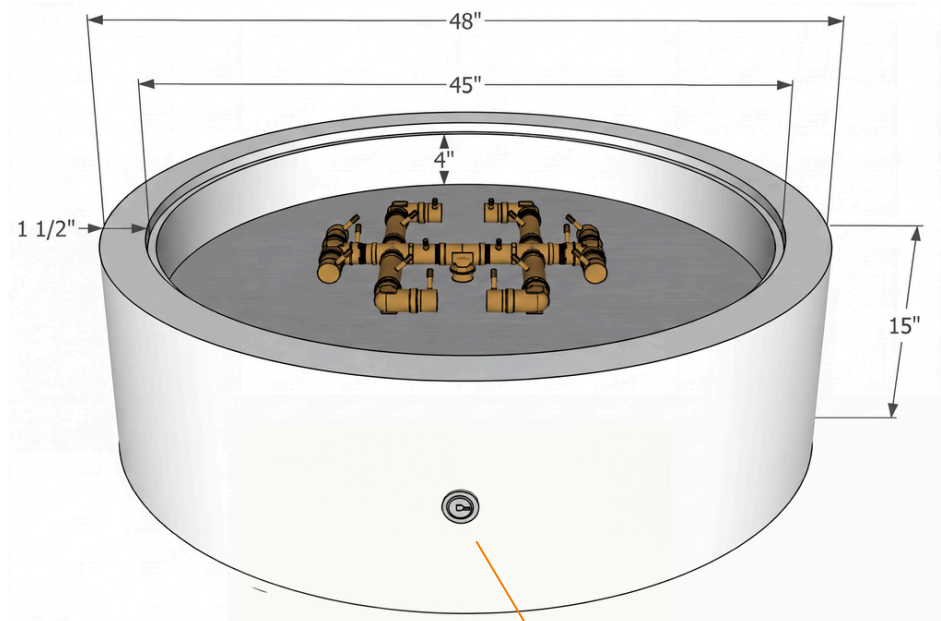
**Protective Finish:** Powder Coating



[www.montanafirepits.com](http://www.montanafirepits.com)

#### CONFIDENTIAL

Any information data and drawings embodied in this document are proprietary and strictly confidential, are to be held as confidential and supplied with the understanding that they will not be disclosed, in whole or in part or in any form, to third parties without the prior written consent of Montana Fire Pits. All information, illustrations, screen shots, and data contained are herein Copyright © Montana Fire Pits. All rights reserved.



location of key